


| Count | Description | | | | | | | | | | | | | | | | | | | | | | | | |
|---|--|----------------|-------|---------------------------|--------------|------------------------------|-------|----------|--------------|---|----------|-------------|-------------|-------------|----------|---------------------|------|-------------------------|----------|------------------|-----------------|---------------|-----|-----------------|--------------------------------|
| 1 | <p data-bbox="225 338 507 365">CMBE 10-54 I-U-C-E-D-G</p> <div data-bbox="336 405 488 618" style="text-align: center;">  </div> <p data-bbox="225 663 488 689">Product No.: 98548118</p> <p data-bbox="225 723 823 925">The Grundfos CME Booster is a compact booster system for water supply in domestic applications. The integrated speed controller enables the CME Booster to keep constant pressure in the pipe system. A pressure sensor monitoring changes in the water consumption will signal to the speed controller to change the motor speed to adapt performance to the new state.</p> <p data-bbox="225 927 871 1014">The CME Booster is very easy to install. When the pipework has been installed, it is all a matter of plugging the unit into a socket, and the system is operational.</p> <p data-bbox="225 1016 547 1043">The CME Booster consists of:</p> <ul data-bbox="225 1046 748 1193" style="list-style-type: none"> • CME pump with integrated frequency converter • 5-way valve • expansion tank • pressure gauge • manometer <p data-bbox="225 1227 323 1254">Features</p> <ul data-bbox="225 1256 711 1404" style="list-style-type: none"> • Constant pressure, integrated speed control • compact • robust, stainless steel • easy installation • dry run protection <p data-bbox="225 1438 429 1464">Thermal protection</p> <p data-bbox="225 1467 847 1494">CME Booster pumps require no external motor protection.</p> <p data-bbox="225 1496 802 1583">The MGE motor incorporates thermal protection against slow overloading and blocking (IEC 34.11: TP 211).</p> <p data-bbox="225 1641 300 1668">Liquid:</p> <table data-bbox="225 1671 716 1789" style="width: 100%;"> <tr> <td>Pumped liquid:</td> <td>Water</td> </tr> <tr> <td>Liquid temperature range:</td> <td>32 .. 140 °F</td> </tr> <tr> <td>Selected liquid temperature:</td> <td>68 °F</td> </tr> <tr> <td>Density:</td> <td>62.29 lb/ft³</td> </tr> </table> <p data-bbox="225 1823 336 1850">Technical:</p> <table data-bbox="225 1852 930 2085" style="width: 100%;"> <tr> <td>Pump speed on which pump data is based:</td> <td>3868 rpm</td> </tr> <tr> <td>Rated flow:</td> <td>54.2 US gpm</td> </tr> <tr> <td>Rated head:</td> <td>82.35 ft</td> </tr> <tr> <td>Primary shaft seal:</td> <td>AQQE</td> </tr> <tr> <td>Approvals and markings:</td> <td>CE,CULUS</td> </tr> <tr> <td>Curve tolerance:</td> <td>ISO9906:2012 3B</td> </tr> <tr> <td>Return valve:</td> <td>YES</td> </tr> <tr> <td>Start pressure:</td> <td>Integrated Frequency converter</td> </tr> </table> | Pumped liquid: | Water | Liquid temperature range: | 32 .. 140 °F | Selected liquid temperature: | 68 °F | Density: | 62.29 lb/ft³ | Pump speed on which pump data is based: | 3868 rpm | Rated flow: | 54.2 US gpm | Rated head: | 82.35 ft | Primary shaft seal: | AQQE | Approvals and markings: | CE,CULUS | Curve tolerance: | ISO9906:2012 3B | Return valve: | YES | Start pressure: | Integrated Frequency converter |
| Pumped liquid: | Water | | | | | | | | | | | | | | | | | | | | | | | | |
| Liquid temperature range: | 32 .. 140 °F | | | | | | | | | | | | | | | | | | | | | | | | |
| Selected liquid temperature: | 68 °F | | | | | | | | | | | | | | | | | | | | | | | | |
| Density: | 62.29 lb/ft³ | | | | | | | | | | | | | | | | | | | | | | | | |
| Pump speed on which pump data is based: | 3868 rpm | | | | | | | | | | | | | | | | | | | | | | | | |
| Rated flow: | 54.2 US gpm | | | | | | | | | | | | | | | | | | | | | | | | |
| Rated head: | 82.35 ft | | | | | | | | | | | | | | | | | | | | | | | | |
| Primary shaft seal: | AQQE | | | | | | | | | | | | | | | | | | | | | | | | |
| Approvals and markings: | CE,CULUS | | | | | | | | | | | | | | | | | | | | | | | | |
| Curve tolerance: | ISO9906:2012 3B | | | | | | | | | | | | | | | | | | | | | | | | |
| Return valve: | YES | | | | | | | | | | | | | | | | | | | | | | | | |
| Start pressure: | Integrated Frequency converter | | | | | | | | | | | | | | | | | | | | | | | | |



Company name:

Created by:

Phone:

Date:

12/27/2021

| Count | Description |
|-------|--|
| | Materials: |
| | Pump housing: Stainless steel DIN W.-Nr. 1.4301 AISI 304 |
| | Impeller: Stainless steel DIN W.-Nr. 1.4301 AISI 304 |
| | Rubber: EPDM |
| | Installation: |
| | t max amb: 131 °F |
| | Flange standard: INTERNAL NPT THREAD |
| | Pump inlet: NPT 1 1/2 |
| | Pump outlet: NPT 1 1/2 |
| | Electrical data: |
| | Rated power - P2: 2 HP |
| | Main frequency: 50 / 60 Hz |
| | Rated voltage: 1 x 200-240 V |
| | Maximum current consumption: 9.10-7.60 A |
| | Rated speed: 360-4000 rpm |
| | Enclosure class (IEC 34-5): IP55 |
| | Insulation class (IEC 85): F |
| | Type of cable plug: NONE |
| | Mains cable: NO CABLE m |
| | Tank: |
| | Tank volume: 0.528 gal |
| | Others: |
| | Net weight: 53 lb |
| | Gross weight: 75 lb |
| | Country of origin: US |
| | Custom tariff no.: 8413.70.2040 |



Company name:

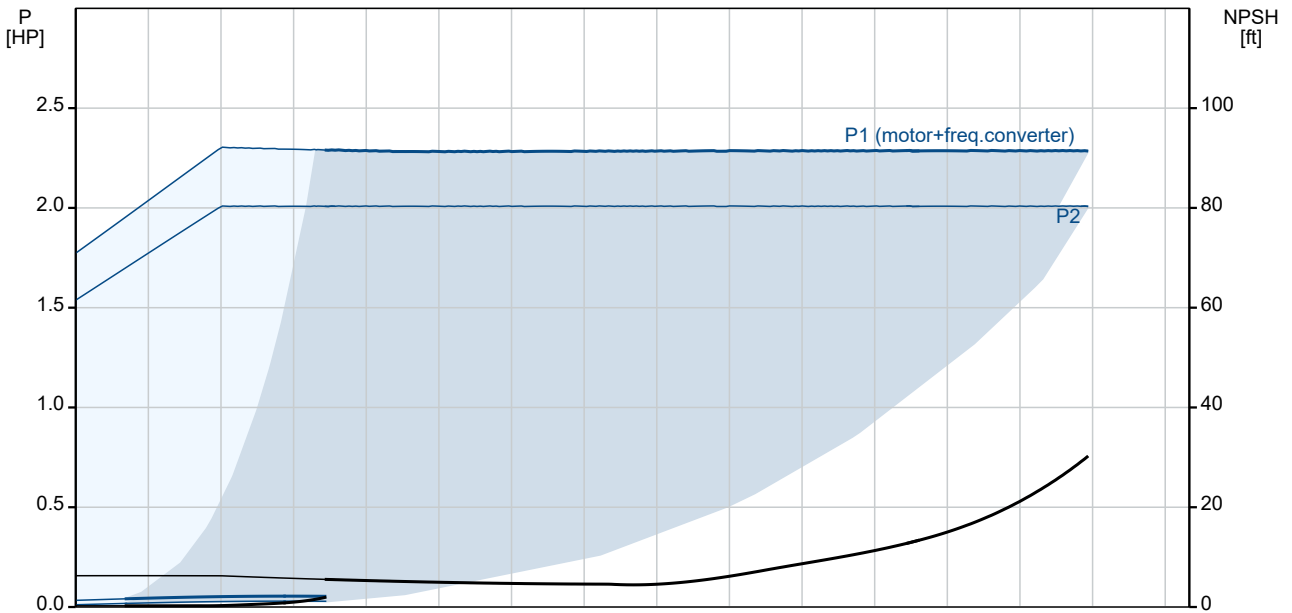
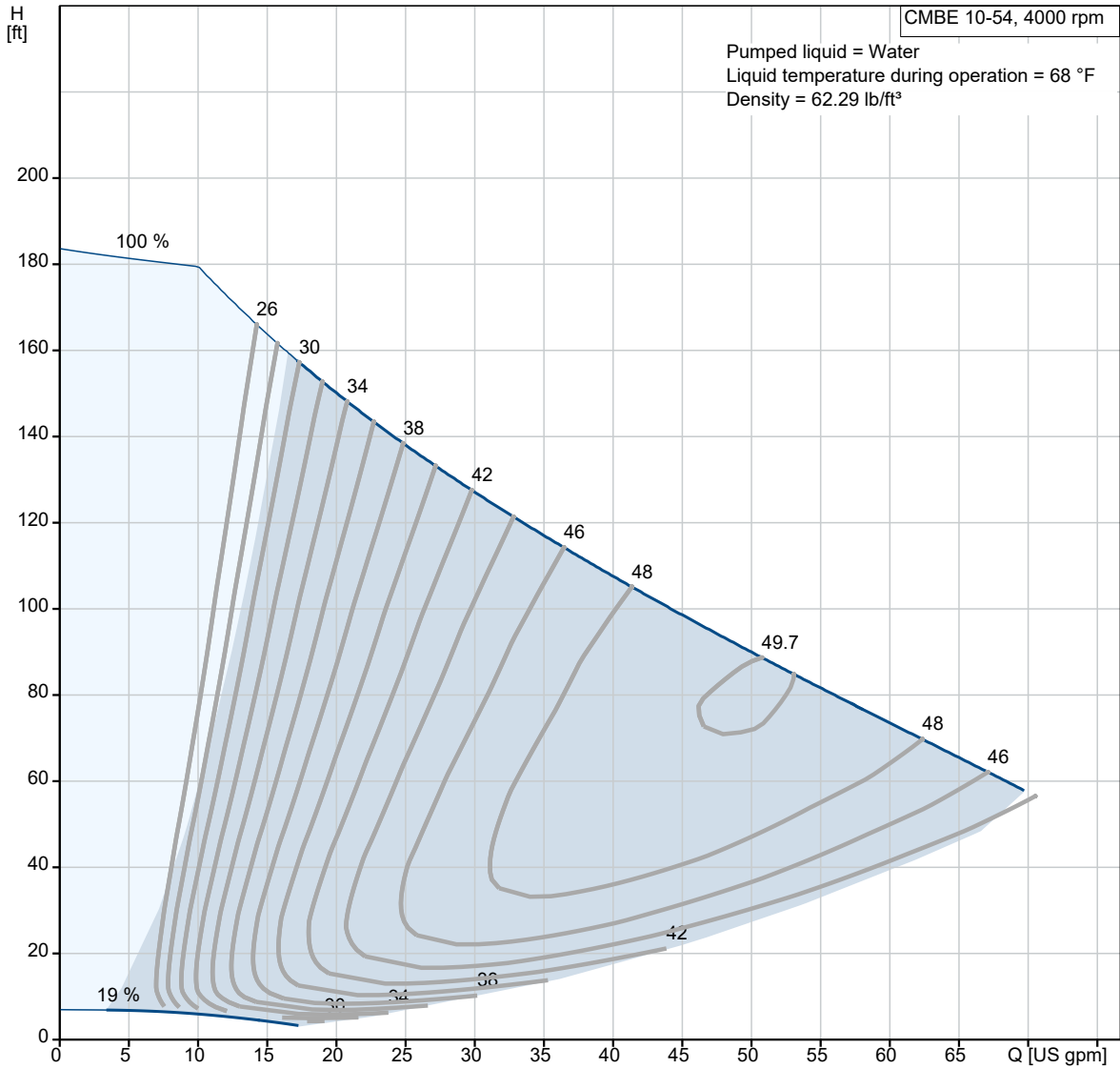
Created by:

Phone:

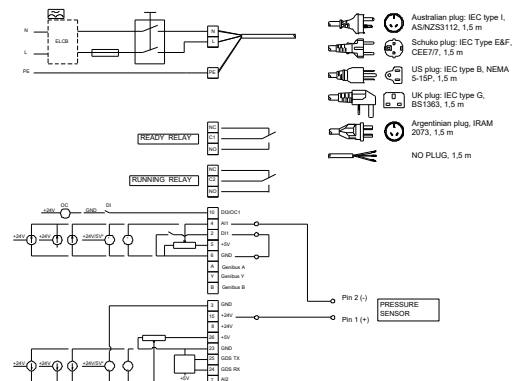
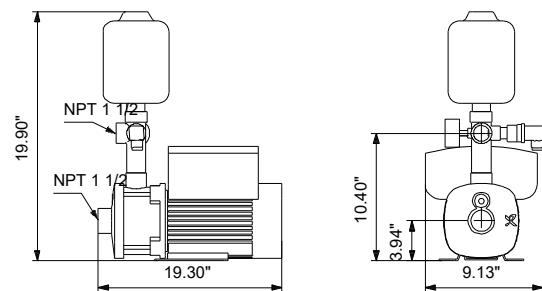
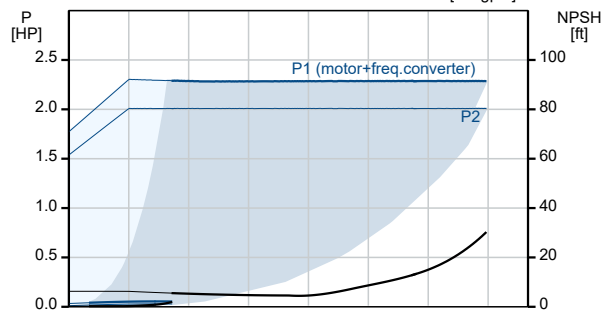
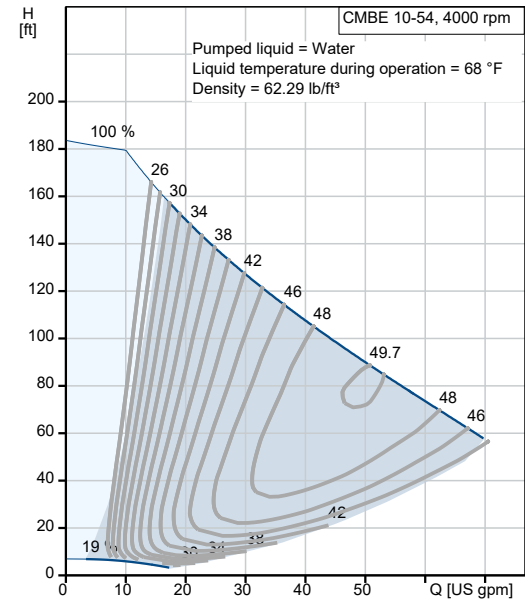
Date:

12/27/2021

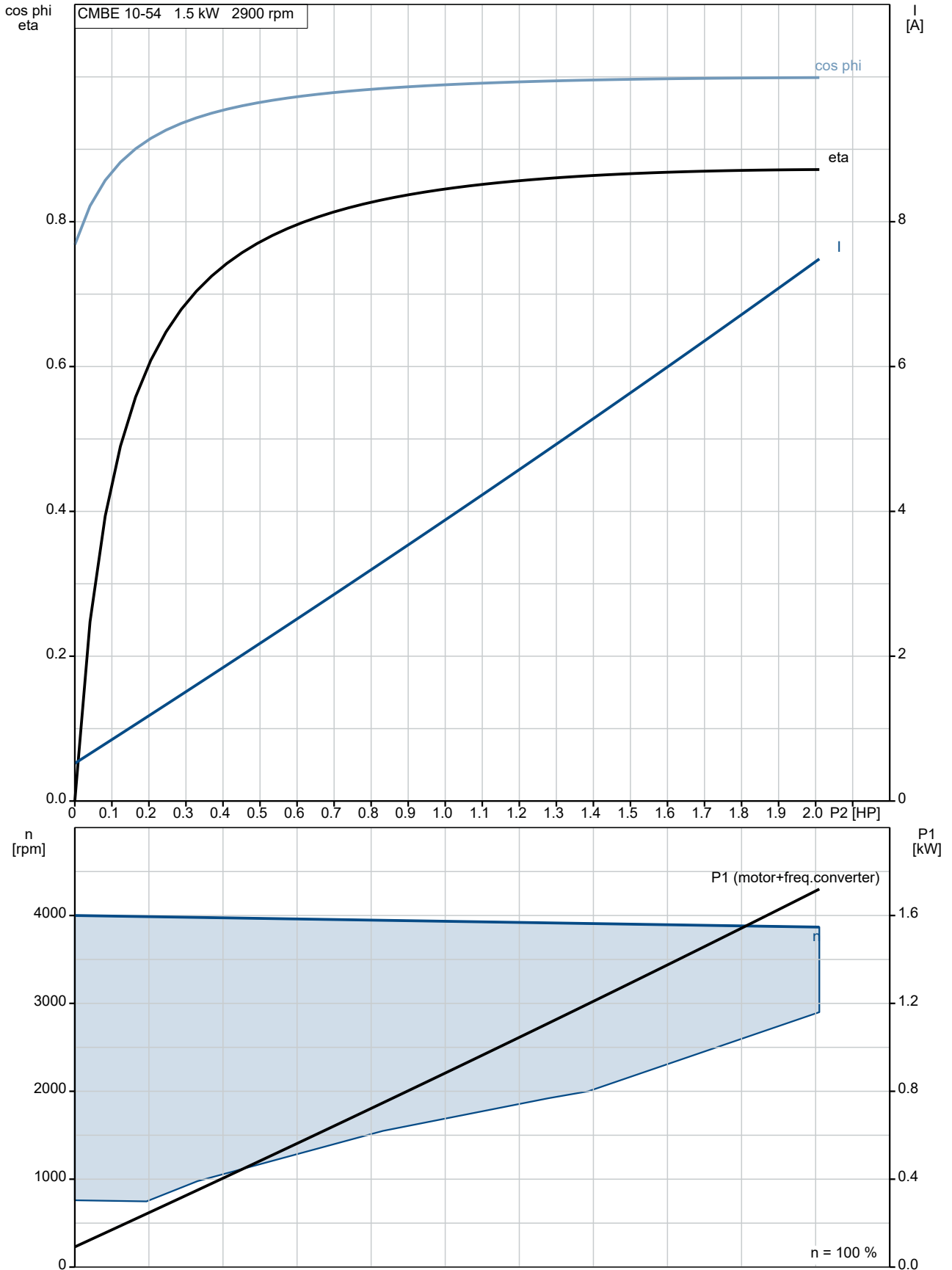
98548118 CMBE 10-54 I-U-C-E-D-G



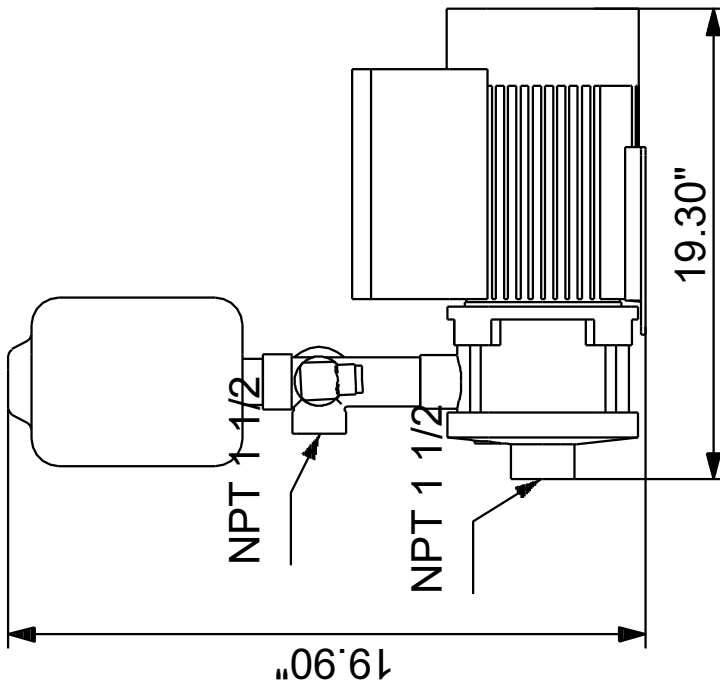
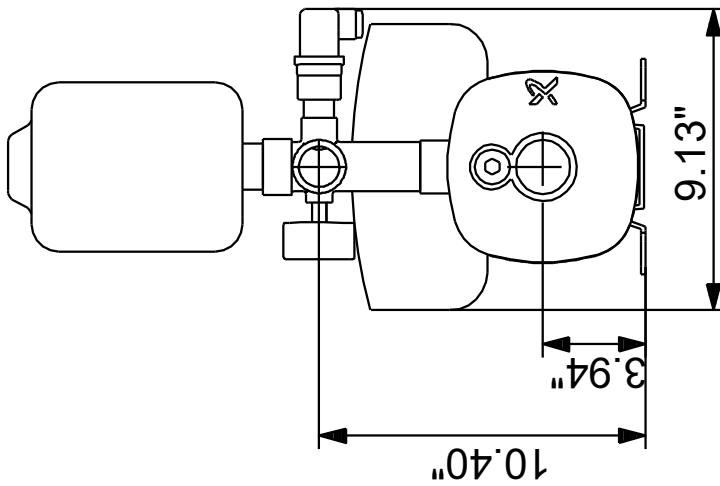
| Description | Value |
|---|--------------------------------|
| General information: | |
| Product name: | CMBE 10-54 I-U-C-E-D-G |
| Product No.: | 98548118 |
| EAN: | 5711496977558 |
| Technical: | |
| Pump speed on which pump data is based: | 3868 rpm |
| Rated flow: | 54.2 US gpm |
| Rated head: | 82.35 ft |
| Impellers: | 2 |
| Primary shaft seal: | AQQE |
| Approvals and markings: | CE,CULUS |
| Curve tolerance: | ISO9906:2012 3B |
| Model: | A |
| Return valve: | YES |
| Start pressure: | Integrated Frequency converter |
| Materials: | |
| Pump housing: | Stainless steel |
| Pump housing: | DIN W.-Nr. 1.4301 |
| Pump housing: | AISI 304 |
| Impeller: | Stainless steel |
| Impeller: | DIN W.-Nr. 1.4301 |
| Impeller: | AISI 304 |
| Rubber: | EPDM |
| Installation: | |
| t max amb: | 131 °F |
| Flange standard: | INTERNAL NPT THREAD |
| Pump inlet: | NPT 1 1/2 |
| Pump outlet: | NPT 1 1/2 |
| Liquid: | |
| Pumped liquid: | Water |
| Liquid temperature range: | 32 .. 140 °F |
| Selected liquid temperature: | 68 °F |
| Density: | 62.29 lb/ft³ |
| Electrical data: | |
| Rated power - P2: | 2 HP |
| Main frequency: | 50 / 60 Hz |
| Rated voltage: | 1 x 200-240 V |
| Maximum current consumption: | 9.10-7.60 A |
| p max system: | 145.04 psi |
| Rated speed: | 360-4000 rpm |
| Enclosure class (IEC 34-5): | IP55 |
| Insulation class (IEC 85): | F |
| Type of cable plug: | NONE |
| Mains cable: | NO CABLE m |
| Tank: | |
| Tank volume: | 0.528 gal |
| Others: | |
| Net weight: | 53 lb |
| Gross weight: | 75 lb |
| Sales region: | Namreg |
| Config. file no: | 98442578 |
| Country of origin: | US |
| Custom tariff no.: | 8413.70.2040 |



98548118 CMBE 10-54 I-U-C-E-D-G

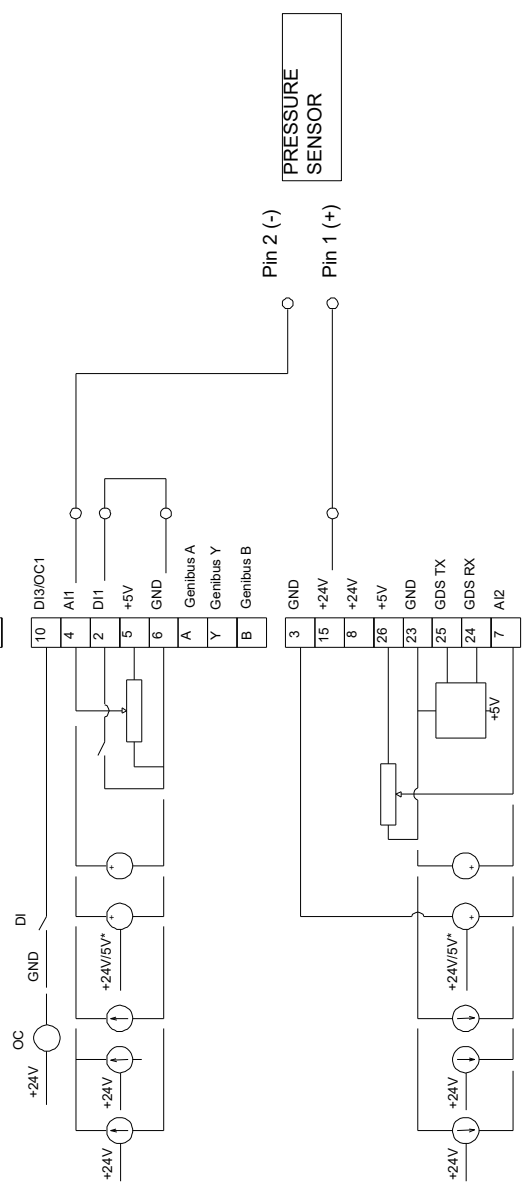
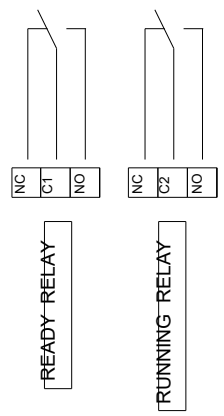
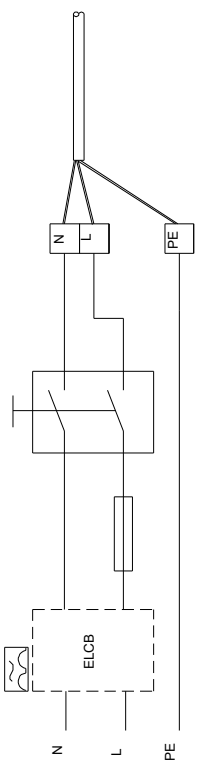
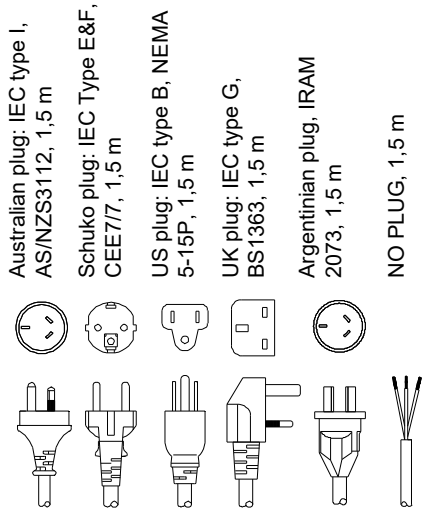


98548118 CMBE 10-54 I-U-C-E-D-G



Note! All units are in [in] unless otherwise stated.
Disclaimer: This simplified dimensional drawing does not show all details.

98548118 CMBE 10-54 I-U-C-E-D-G



All units are [in] unless otherwise presented.