

Count	Description
1	<p data-bbox="225 338 491 365"><b>CMBE 1-44 I-U-C-E-D-E</b></p> <div data-bbox="331 405 485 618" data-label="Image"> </div> <p data-bbox="225 658 488 685">Product No.: <a href="#">98548109</a></p> <p data-bbox="225 719 823 922">The Grundfos CME Booster is a compact booster system for water supply in domestic applications. The integrated speed controller enables the CME Booster to keep constant pressure in the pipe system. A pressure sensor monitoring changes in the water consumption will signal to the speed controller to change the motor speed to adapt performance to the new state.</p> <p data-bbox="225 925 868 1012">The CME Booster is very easy to install. When the pipework has been installed, it is all a matter of plugging the unit into a socket, and the system is operational.</p> <p data-bbox="225 1014 545 1041">The CME Booster consists of:</p> <ul data-bbox="225 1043 748 1189" style="list-style-type: none"> <li>• CME pump with integrated frequency converter</li> <li>• 5-way valve</li> <li>• expansion tank</li> <li>• pressure gauge</li> <li>• manometer</li> </ul> <p data-bbox="225 1223 323 1249">Features</p> <ul data-bbox="225 1252 711 1397" style="list-style-type: none"> <li>• Constant pressure, integrated speed control</li> <li>• compact</li> <li>• robust, stainless steel</li> <li>• easy installation</li> <li>• dry run protection</li> </ul> <p data-bbox="225 1431 429 1458">Thermal protection</p> <p data-bbox="225 1460 844 1487">CME Booster pumps require no external motor protection.</p> <p data-bbox="225 1489 799 1576">The MGE motor incorporates thermal protection against slow overloading and blocking (IEC 34.11: TP 211).</p> <p data-bbox="225 1637 300 1664">Liquid:</p> <p data-bbox="225 1666 657 1693">Pumped liquid: Water</p> <p data-bbox="225 1695 716 1722">Liquid temperature range: 32 .. 140 °F</p> <p data-bbox="225 1724 647 1751">Selected liquid temperature: 68 °F</p> <p data-bbox="225 1753 705 1780">Density: 62.29 lb/ft³</p> <p data-bbox="225 1814 336 1841">Technical:</p> <p data-bbox="225 1843 823 1870">Pump speed on which pump data is based: 3776 rpm</p> <p data-bbox="225 1872 732 1899">Rated flow: 10.6 US gpm</p> <p data-bbox="225 1901 673 1928">Rated head: 94.16 ft</p> <p data-bbox="225 1930 660 1957">Primary shaft seal: AQQE</p> <p data-bbox="225 1960 713 1986">Approvals and markings: CE,CULUS</p> <p data-bbox="225 1989 782 2016">Curve tolerance: ISO9906:2012 3B</p> <p data-bbox="225 2018 638 2045">Return valve: YES</p> <p data-bbox="225 2047 927 2074">Start pressure: Integrated Frequency converter</p>



Company name:

Created by:

Phone:

Date:

12/27/2021

Count	Description
	Materials:
	Pump housing: Stainless steel DIN W.-Nr. 1.4301 AISI 304
	Impeller: Stainless steel DIN W.-Nr. 1.4301 AISI 304
	Rubber: EPDM
	Installation:
	t max amb: 122 °F
	Flange standard: INTERNAL NPT THREAD
	Pump inlet: NPT 1
	Pump outlet: NPT 1
	Electrical data:
	Rated power - P2: 0.75 HP
	Main frequency: 50 / 60 Hz
	Rated voltage: 1 x 200-240 V
	Maximum current consumption: 3.45-2.90 A
	Rated speed: 360-4000 rpm
	Enclosure class (IEC 34-5): IP55
	Insulation class (IEC 85): F
	Type of cable plug: NONE
	Mains cable: NO CABLE m
	Tank:
	Tank volume: 0.528 gal
	Others:
	Net weight: 33 lb
	Gross weight: 55 lb
	Country of origin: US
	Custom tariff no.: 8413.70.2040



Company name:

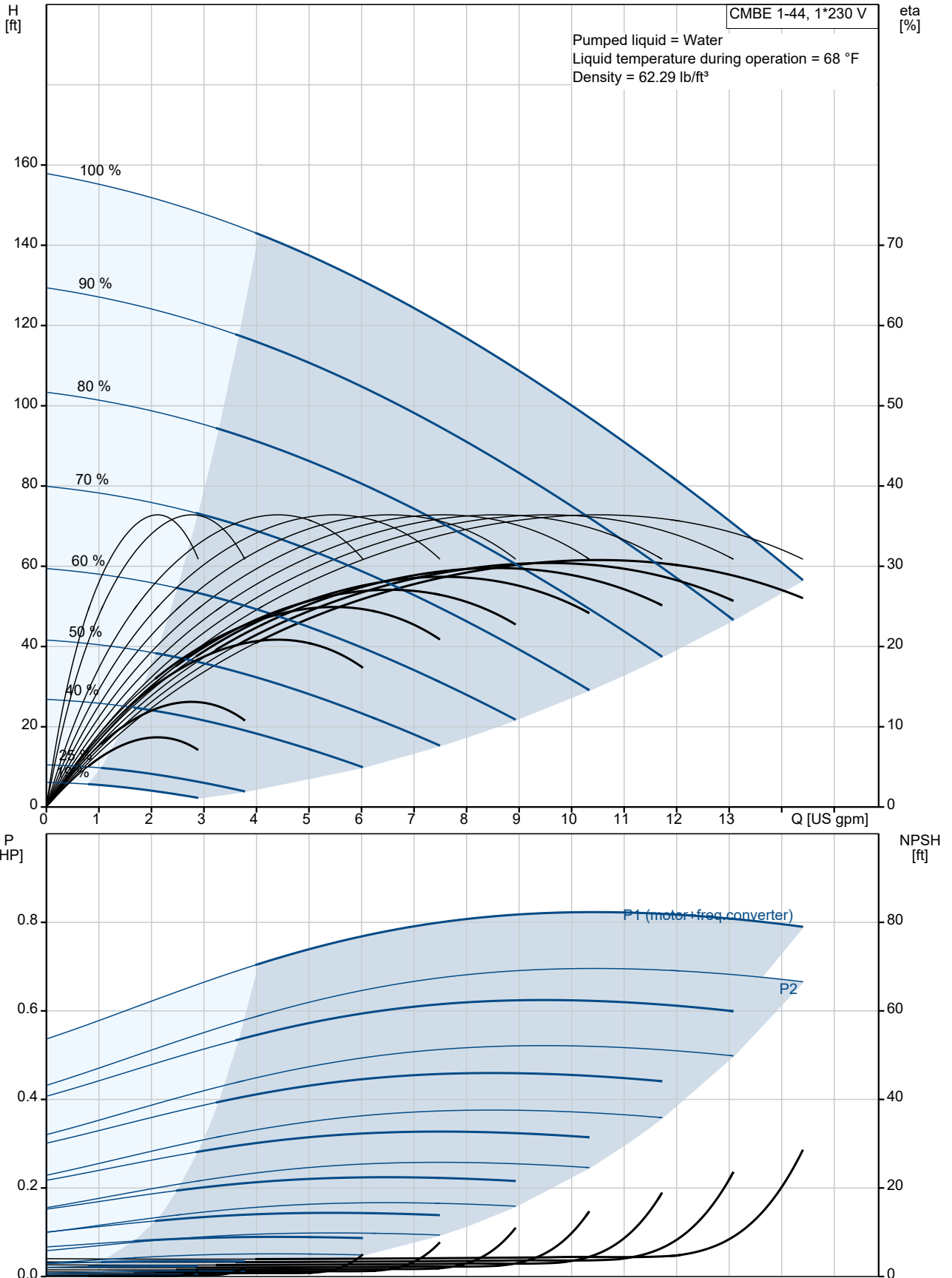
Created by:

Phone:

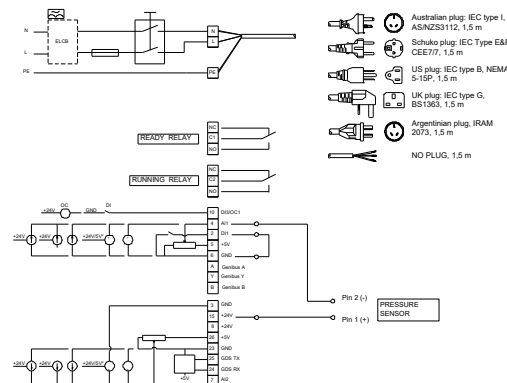
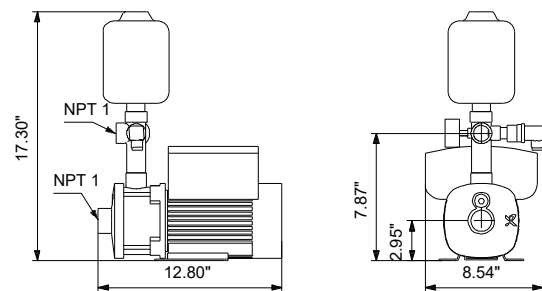
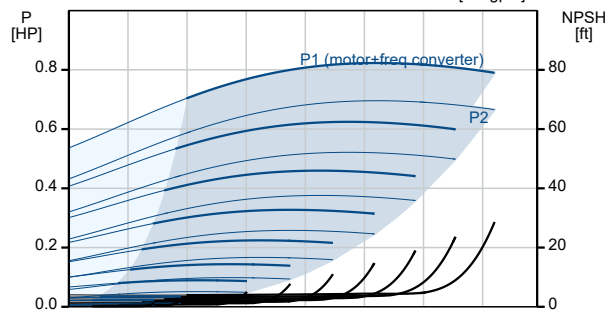
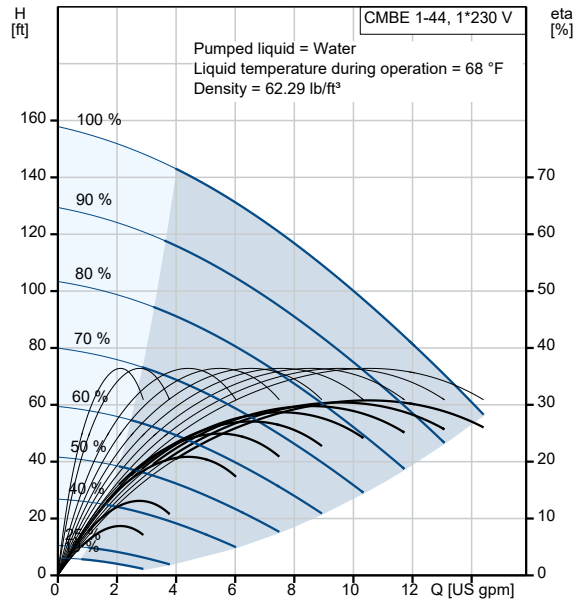
Date:

12/27/2021

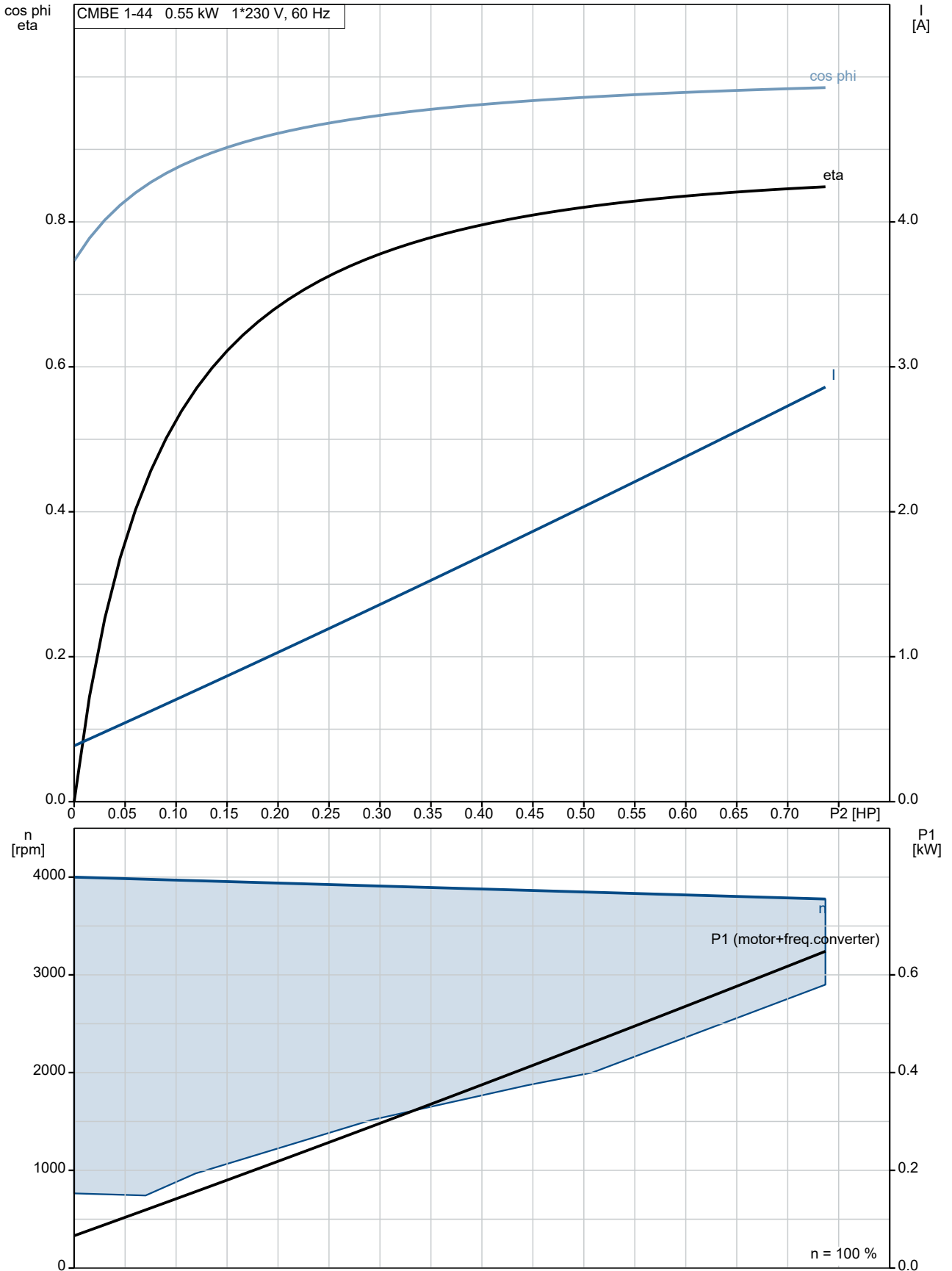
### 98548109 CMBE 1-44 I-U-C-E-D-E



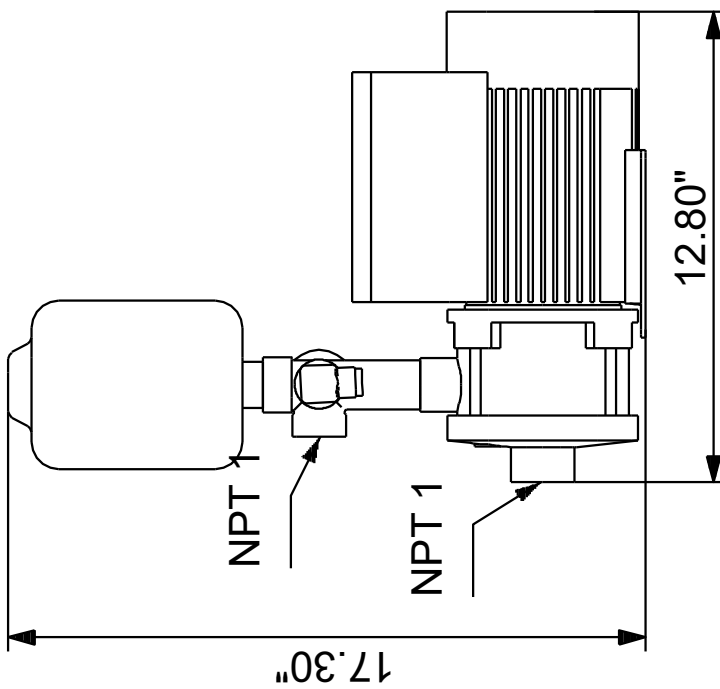
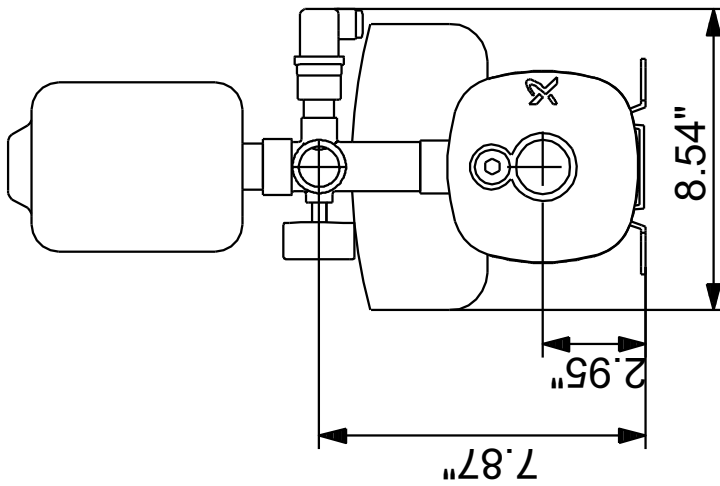
Description	Value
<b>General information:</b>	
Product name:	CMBE 1-44 I-U-C-E-D-E
Product No.:	98548109
EAN:	5711496977466
<b>Technical:</b>	
Pump speed on which pump data is based:	3776 rpm
Rated flow:	10.6 US gpm
Rated head:	94.16 ft
Impellers:	3
Primary shaft seal:	AQQE
Approvals and markings:	CE,CULUS
Curve tolerance:	ISO9906:2012 3B
Model:	A
Return valve:	YES
Start pressure:	Integrated Frequency converter
<b>Materials:</b>	
Pump housing:	Stainless steel
Pump housing:	DIN W.-Nr. 1.4301
Pump housing:	AISI 304
Impeller:	Stainless steel
Impeller:	DIN W.-Nr. 1.4301
Impeller:	AISI 304
Rubber:	EPDM
<b>Installation:</b>	
t max amb:	122 °F
Flange standard:	INTERNAL NPT THREAD
Pump inlet:	NPT 1
Pump outlet:	NPT 1
<b>Liquid:</b>	
Pumped liquid:	Water
Liquid temperature range:	32 .. 140 °F
Selected liquid temperature:	68 °F
Density:	62.29 lb/ft³
<b>Electrical data:</b>	
Rated power - P2:	0.75 HP
Main frequency:	50 / 60 Hz
Rated voltage:	1 x 200-240 V
Maximum current consumption:	3.45-2.90 A
p max system:	145.04 psi
Rated speed:	360-4000 rpm
Enclosure class (IEC 34-5):	IP55
Insulation class (IEC 85):	F
Type of cable plug:	NONE
Mains cable:	NO CABLE m
<b>Tank:</b>	
Tank volume:	0.528 gal
<b>Others:</b>	
Net weight:	33 lb
Gross weight:	55 lb
Config. file no:	95139603
Country of origin:	US
Custom tariff no.:	8413.70.2040



## 98548109 CMBE 1-44 I-U-C-E-D-E

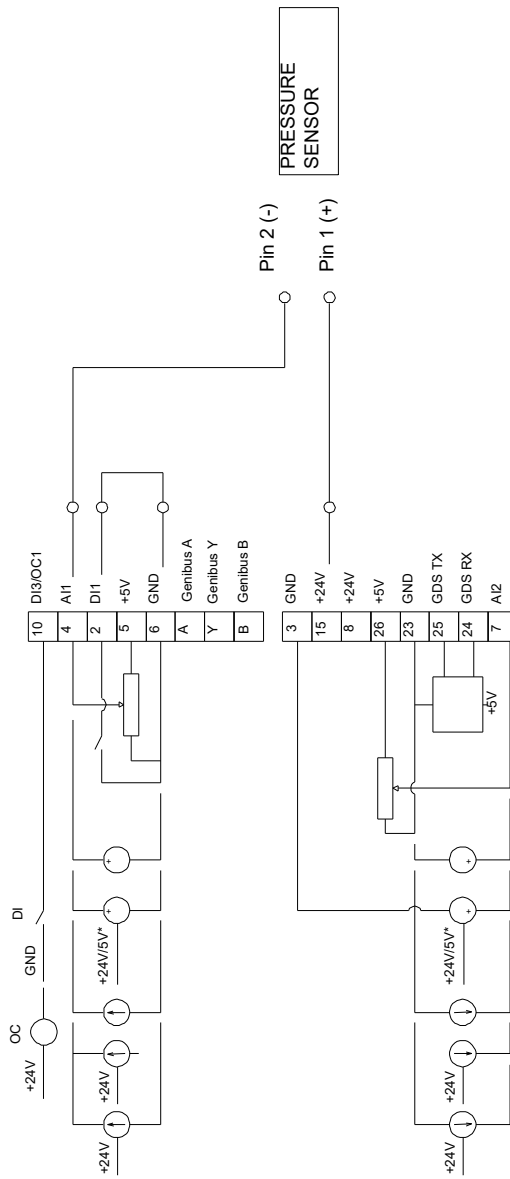
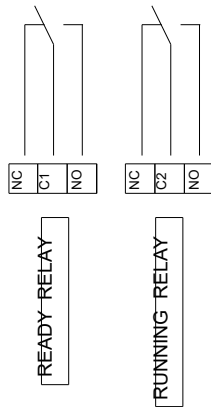
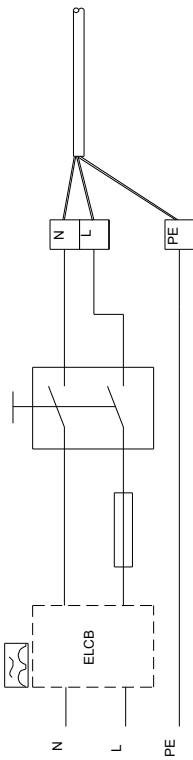
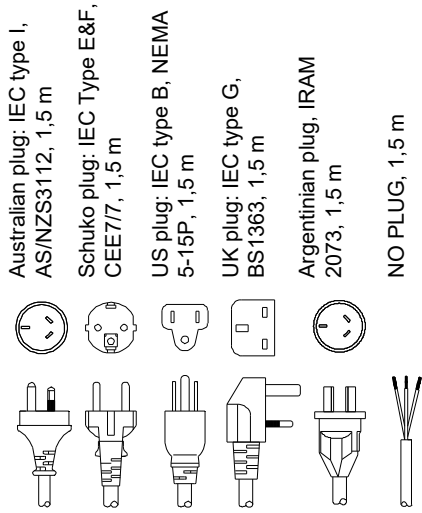


## 98548109 CMBE 1-44 I-U-C-E-D-E



Note! All units are in [in] unless otherwise stated.  
Disclaimer: This simplified dimensional drawing does not show all details.

## 98548109 CMBE 1-44 I-U-C-E-D-E



All units are [in] unless otherwise presented.