

PROJECT: _____	UNIT TAG: _____	QUANTITY: _____
REPRESENTATIVE: _____	TYPE OF SERVICE: _____	DATE: _____
ENGINEER: _____	SUBMITTED BY: _____	DATE: _____
CONTRACTOR: _____	APPROVED BY: _____	DATE: _____
	ORDER NO.: _____	DATE: _____

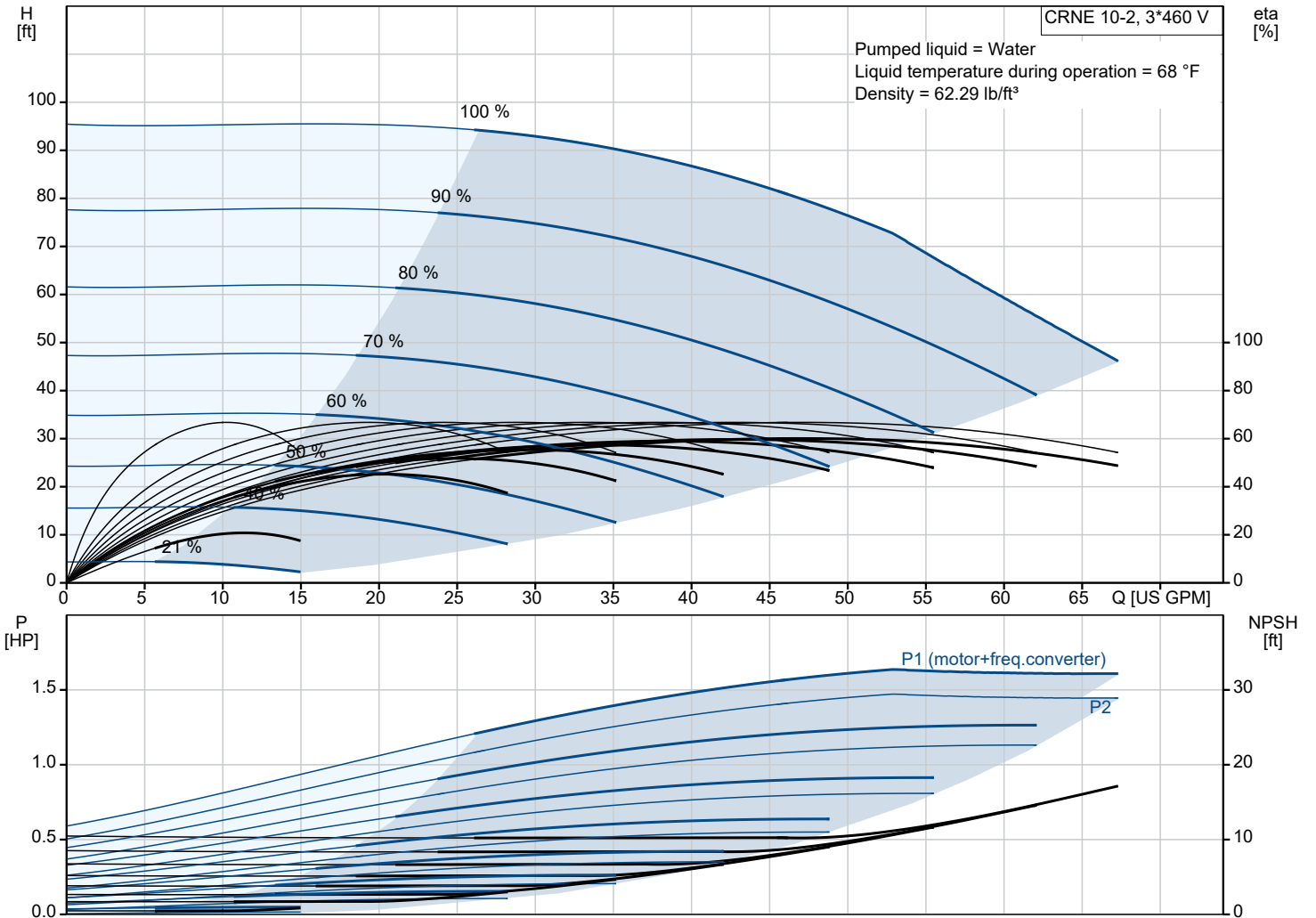


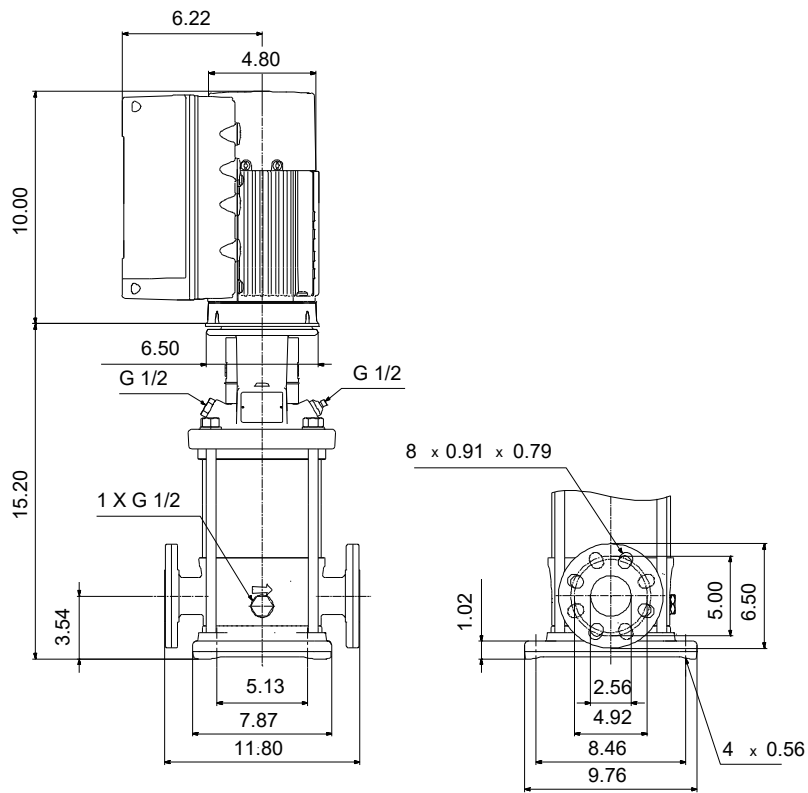
CRNE 10-2 N-FGJ-A-E-HQQE

Vertical, multistage centrifugal pump with integrated frequency converter. Pump materials in contact with the liquid are in high-grade stainless steel (EN 1.4401)

Note! Product picture may differ from actual product

Conditions of Service		Pump Data		Motor Data	
Liquid:	Water	Max pressure at stated temp:	363 psi / 250 °F	Rated power - P2:	1.5 HP
Temperature:	68 °F	Liquid temperature range:	-4 .. 248 °F	Rated voltage:	440-480 V
Specific Gravity:	1.000	Maximum ambient temperature:	122 °F	Mains frequency:	60 Hz
		Shaft seal:	HQQE	Enclosure class:	IP55
		Product number:	99340999	Insulation class:	F
				Motor protection:	ELEC
				Motor type:	80B
				Eta 1/1:	89.6 %





Materials:

Base: Stainless steel
 Base: EN 1.4408
 Base: AISI 316
 Impeller: Stainless steel
 Impeller: AISI 316
 Impeller: EN 1.4401
 Material code: A
 Code for rubber: E

Qty.	Description
1	<p data-bbox="124 85 459 116">CRNE 10-2 N-FGJ-A-E-HQQE</p> <p data-bbox="124 116 389 147">Product No.: 99340999</p> <p data-bbox="124 174 1517 250">Vertical, multistage centrifugal pump with inlet and outlet ports on same the level (inline). Pump materials in contact with the liquid are in high-grade stainless steel. A cartridge shaft seal ensures high reliability, safe handling, and easy access and service. Power transmission is via a rigid split coupling. Pipe connection is via combined DIN-ANSI-JIS flanges.</p> <p data-bbox="124 259 1050 291">The pump is fitted with a 3-phase, fan-cooled, permanent-magnet, synchronous motor.</p> <p data-bbox="124 291 938 322">The motor efficiency is classified as IE5 in accordance with IEC 60034-30-2.</p> <p data-bbox="124 322 1517 376">The motor includes a frequency converter and PI controller in the motor terminal box. This enables continuously variable control of the motor speed, which again enables adaptation of the performance to a given requirement.</p> <p data-bbox="124 376 1469 407">The operating panel on the motor terminal box features a four-inch TFT display, push-buttons and the Grundfos Eye indicator.</p> <p data-bbox="124 439 890 470">The display gives an intuitive and user-friendly interface to all functions.</p> <p data-bbox="124 470 1461 524">The push-buttons are used to navigate through the menu structure to access pump and performance data on site and enable setting of required setpoint as well as setting of pump to "Min." or "Max." operation or to "Stop".</p> <p data-bbox="124 586 1517 663">Communication with the pump is also possible by means of Grundfos GO Remote (accessory). The remote control enables further settings as well as reading out of a number of parameters such as "Actual value", "Speed", "Power input" and total "Power consumption".</p> <p data-bbox="124 698 1114 730">The Grundfos Eye indicator on the operating panel provides visual indication of pump status:</p> <ul data-bbox="162 730 1433 819" style="list-style-type: none"> • "Power on": Motor is running (rotating green indicator lights) or not running (permanently green indicator lights) • "Warning": Motor is still running (rotating yellow indicator lights) or has stopped (permanently yellow indicator lights) • "Alarm": Motor has stopped (flashing red indicator lights). <p data-bbox="124 819 1501 873">The terminal box has a number of inputs and outputs enabling the motor to be used in advanced applications where many inputs and outputs are required:</p> <ul data-bbox="162 873 1501 1263" style="list-style-type: none"> • two dedicated digital inputs • three analog inputs, 0(4)-20 mA, 0-5 V, 0-10 V, 0.5 - 3.5 V; the factory-fitted pressure sensor is connected to one of these inputs • 5 V voltage supply to potentiometer and sensor • one analog output, 0-10 V, 0(4)-20 mA • two configurable digital inputs or open-collector outputs • two Pt100/Pt1000 inputs • LiqTec, dry-running protection sensor input • Grundfos Digital Sensor input and output • 24 V voltage supply for sensors • two signal-relay outputs (potential-free contacts) • GENIbus connection • interface for Grundfos CIM fieldbus module. <p data-bbox="124 1294 197 1326">Liquid:</p> <p data-bbox="124 1326 555 1357">Pumped liquid: Water</p> <p data-bbox="124 1357 609 1388">Liquid temperature range: -4 .. 248 °F</p> <p data-bbox="124 1388 549 1420">Selected liquid temperature: 68 °F</p> <p data-bbox="124 1420 603 1451">Density: 62.29 lb/ft³</p> <p data-bbox="124 1482 236 1514">Technical:</p> <p data-bbox="124 1514 743 1545">Pump speed on which pump data are based: 3466 rpm</p> <p data-bbox="124 1545 641 1576">Rated flow: 53.3 US GPM</p> <p data-bbox="124 1576 571 1608">Rated head: 72.51 ft</p> <p data-bbox="124 1608 564 1639">Actual impeller diameter: 3.66 in</p> <p data-bbox="124 1639 571 1671">Pump orientation: Vertical</p> <p data-bbox="124 1671 549 1702">Shaft seal arrangement: Single</p> <p data-bbox="124 1702 564 1733">Code for shaft seal: HQQE</p> <p data-bbox="124 1733 577 1765">Approvals: CURUS</p> <p data-bbox="124 1765 635 1796">Approvals for drinking water: NSF/ANSI 61</p> <p data-bbox="124 1796 683 1827">Curve tolerance: ISO9906:2012 3B</p> <p data-bbox="124 1859 229 1890">Materials:</p> <p data-bbox="124 1890 647 1944">Base: Stainless steel EN 1.4408 AISI 316</p> <p data-bbox="124 1944 647 2033">Impeller: Stainless steel EN 1.4401 AISI 316</p> <p data-bbox="124 2033 533 2065">Bearing: SIC</p> <p data-bbox="124 2096 245 2128">Installation:</p> <p data-bbox="124 2128 564 2159">t max amb: 122 °F</p> <p data-bbox="124 2159 603 2190">Maximum operating pressure: 362.59 psi</p>

Qty.	Description
	<p>Max pressure at stated temp: 363 psi / 250 °F 363 psi / -4 °F</p> <p>Type of connection: DIN / ANSI / JIS</p> <p>Size of inlet connection: DN 50</p> <p>Size of outlet connection: DN 50</p> <p>Pressure rating for connection: PN 25</p> <p>Flange rating inlet: 300 lb</p> <p>Flange size for motor: 56C</p> <p>Electrical data:</p> <p>Motor standard: NEMA</p> <p>Motor type: 80B</p> <p>IE Efficiency class: IE5</p> <p>Rated power - P2: 1.5 HP</p> <p>Power (P2) required by pump: 1.5 HP</p> <p>Mains frequency: 60 Hz</p> <p>Rated voltage: 3 x 440-480 V</p> <p>Service factor: 1.15</p> <p>Rated current: 2.05 A</p> <p>Cos phi - power factor: 0.84</p> <p>Rated speed: 360-4000 rpm</p> <p>Efficiency: 89.6%</p> <p>Motor efficiency at full load: 89.6 %</p> <p>Enclosure class (IEC 34-5): IP55</p> <p>Insulation class (IEC 85): F</p> <p>Motor No: 99256784</p> <p>Controls:</p> <p>Frequency converter: Built-in</p> <p>Pressure sensor: Y</p> <p>Others:</p> <p>DOE Pump Energy Index VL: 0.41</p> <p>Net weight: 92.6 lb</p> <p>Gross weight: 108 lb</p> <p>Shipping volume: 6.11 ft³</p>

99340999 CRNE 10-2 N-FGJ-A-E-HQQE 60 Hz



Note! All units are in [in] unless others are stated.