

PROJECT: _____	UNIT TAG: _____	QUANTITY: _____
REPRESENTATIVE: _____	TYPE OF SERVICE: _____	DATE: _____
ENGINEER: _____	SUBMITTED BY: _____	DATE: _____
CONTRACTOR: _____	APPROVED BY: _____	DATE: _____
	ORDER NO.: _____	DATE: _____

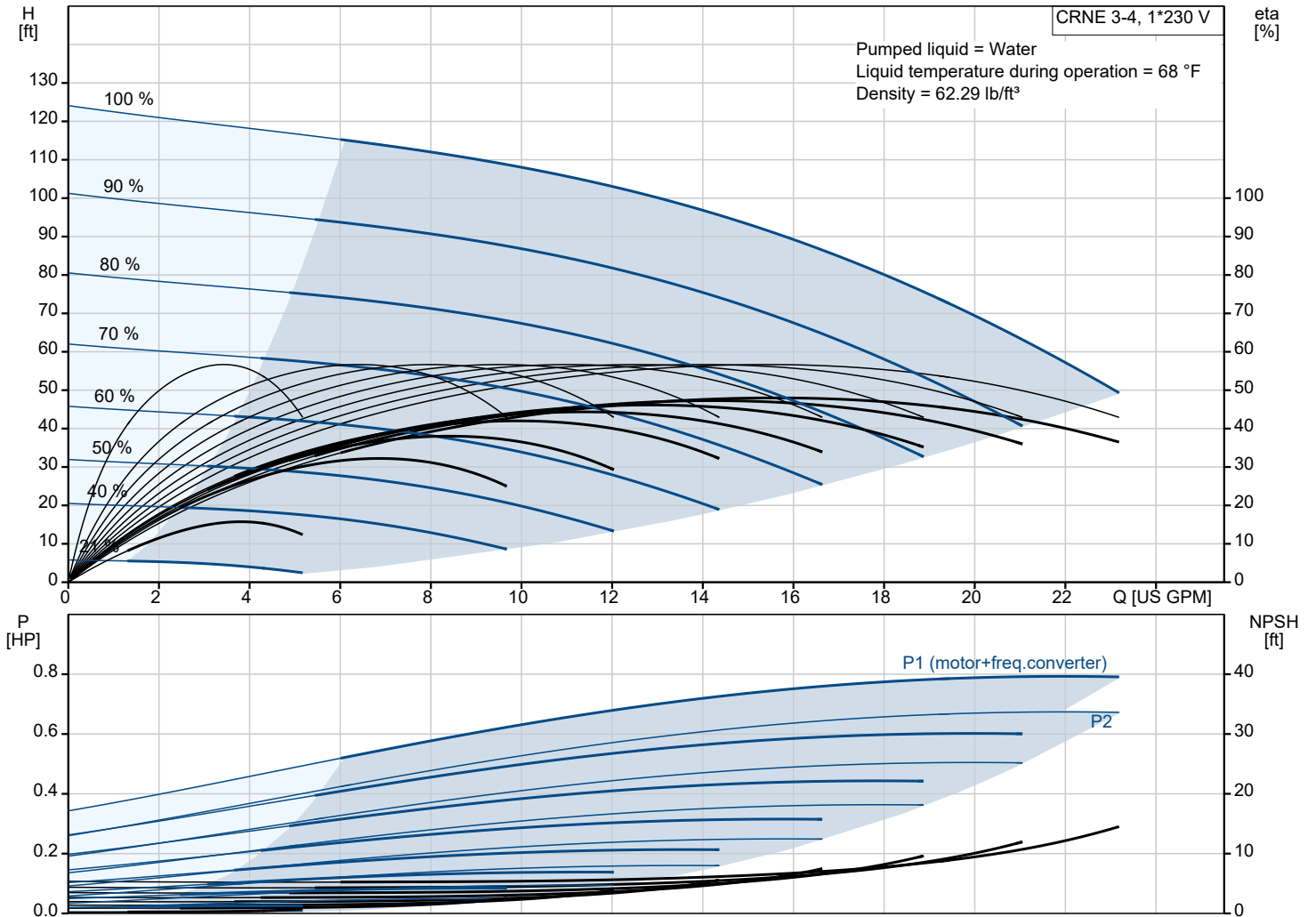


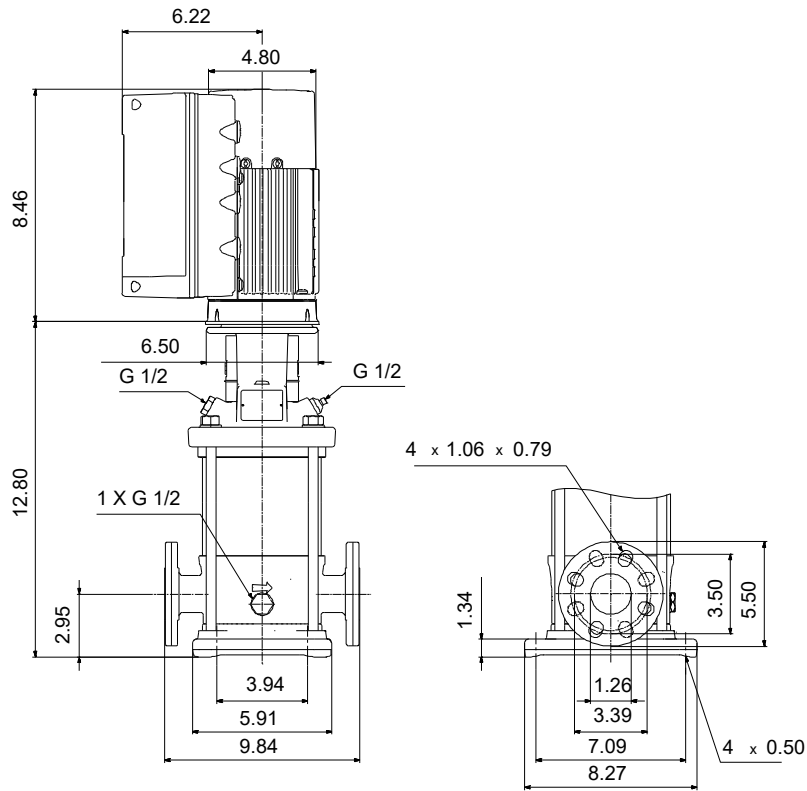
CRNE 3-4 N-FGJ-A-E-HQQE

Vertical, multistage centrifugal pump with integrated frequency converter. Pump materials in contact with the liquid are in high-grade stainless steel (EN 1.4401)

Note! Product picture may differ from actual product


Conditions of Service		Pump Data		Motor Data	
Liquid:	Water	Max pressure at stated temp:	363 psi / 250 °F	Rated power - P2:	0.75 HP
Temperature:	68 °F	Liquid temperature range:	-4 .. 248 °F	Rated voltage:	200-240 V
Specific Gravity:	1.000	Maximum ambient temperature:	122 °F	Mains frequency:	60 Hz
		Shaft seal:	HQQE	Enclosure class:	IP55
		Product number:	99340809	Insulation class:	F
				Motor protection:	ELEC
				Motor type:	71A
				Eta 1/1:	85.3 %





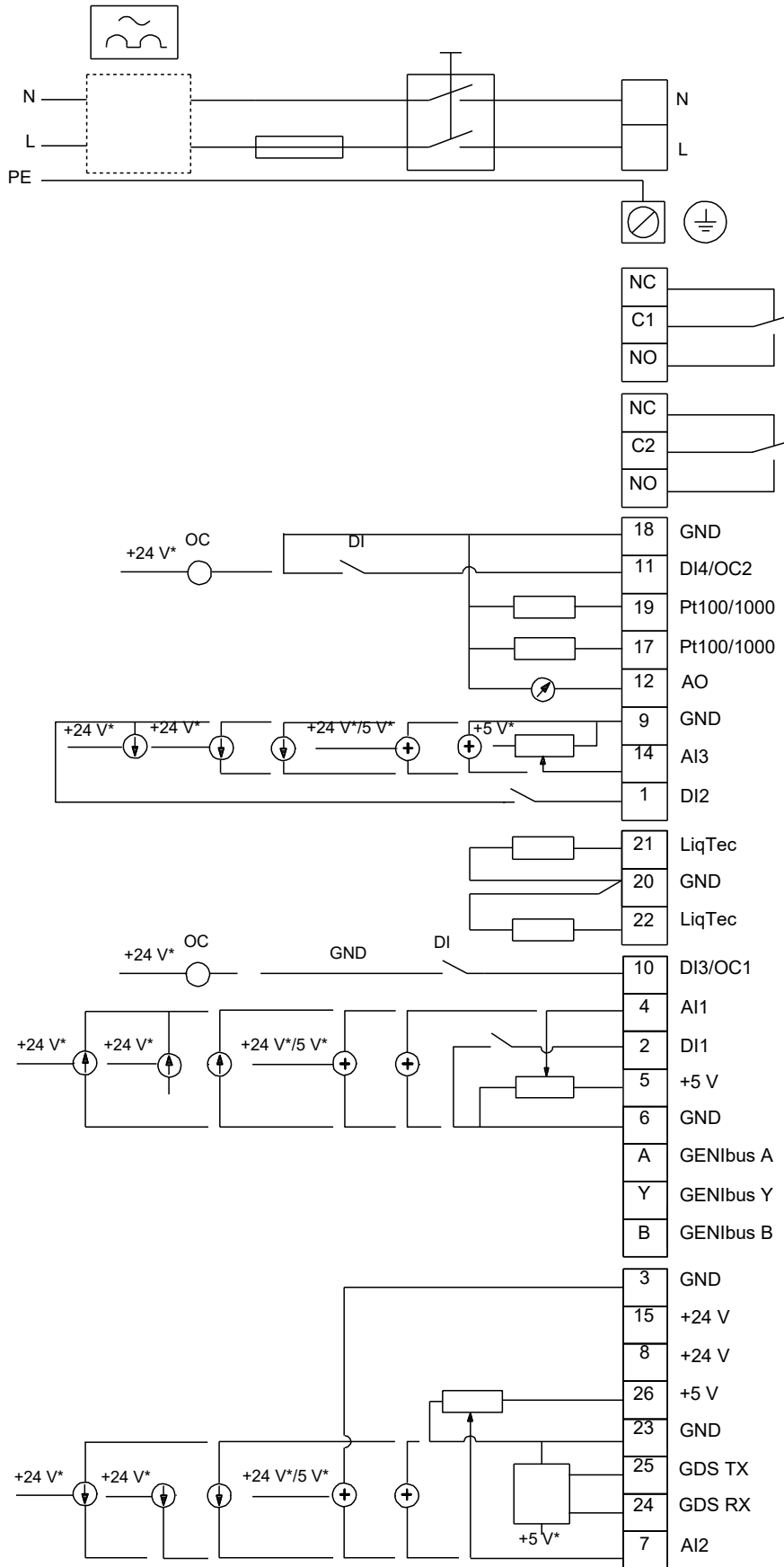
Materials:

Base: Stainless steel
 Base: EN 1.4408
 Base: AISI 316
 Impeller: Stainless steel
 Impeller: AISI 316
 Impeller: EN 1.4401
 Material code: A
 Code for rubber: E

Qty.	Description
1	<p data-bbox="124 85 446 116">CRNE 3-4 N-FGJ-A-E-HQQE</p>  <p data-bbox="518 432 989 459">Note! Product picture may differ from actual product</p> <p data-bbox="124 465 391 492">Product No.: 99340809</p> <p data-bbox="124 526 1516 600">Vertical, multistage centrifugal pump with inlet and outlet ports on same the level (inline). Pump materials in contact with the liquid are in high-grade stainless steel. A cartridge shaft seal ensures high reliability, safe handling, and easy access and service. Power transmission is via a rigid split coupling. Pipe connection is via combined DIN-ANSI-JIS flanges.</p> <p data-bbox="124 611 1053 638">The pump is fitted with a 1-phase, fan-cooled, permanent-magnet, synchronous motor.</p> <p data-bbox="124 640 941 667">The motor efficiency is classified as IE5 in accordance with IEC 60034-30-2.</p> <p data-bbox="124 669 1516 719">The motor includes a frequency converter and PI controller in the motor terminal box. This enables continuously variable control of the motor speed, which again enables adaptation of the performance to a given requirement.</p> <p data-bbox="124 725 1468 752">The operating panel on the motor terminal box features a four-inch TFT display, push-buttons and the Grundfos Eye indicator.</p> <p data-bbox="124 786 885 813">The display gives an intuitive and user-friendly interface to all functions.</p> <p data-bbox="124 815 1460 864">The push-buttons are used to navigate through the menu structure to access pump and performance data on site and enable setting of required setpoint as well as setting of pump to "Min." or "Max." operation or to "Stop".</p> <p data-bbox="124 936 1516 1010">Communication with the pump is also possible by means of Grundfos GO Remote (accessory). The remote control enables further settings as well as reading out of a number of parameters such as "Actual value", "Speed", "Power input" and total "Power consumption".</p> <p data-bbox="124 1048 1117 1075">The Grundfos Eye indicator on the operating panel provides visual indication of pump status:</p> <ul data-bbox="159 1077 1436 1167" style="list-style-type: none"> • "Power on": Motor is running (rotating green indicator lights) or not running (permanently green indicator lights) • "Warning": Motor is still running (rotating yellow indicator lights) or has stopped (permanently yellow indicator lights) • "Alarm": Motor has stopped (flashing red indicator lights). <p data-bbox="124 1169 1500 1218">The terminal box has a number of inputs and outputs enabling the motor to be used in advanced applications where many inputs and outputs are required:</p> <ul data-bbox="159 1220 1500 1608" style="list-style-type: none"> • two dedicated digital inputs • three analog inputs, 0(4)-20 mA, 0-5 V, 0-10 V, 0.5 - 3.5 V; the factory-fitted pressure sensor is connected to one of these inputs • 5 V voltage supply to potentiometer and sensor • one analog output, 0-10 V, 0(4)-20 mA • two configurable digital inputs or open-collector outputs • two Pt100/Pt1000 inputs • LiqTec, dry-running protection sensor input • Grundfos Digital Sensor input and output • 24 V voltage supply for sensors • two signal-relay outputs (potential-free contacts) • GENIbus connection • interface for Grundfos CIM fieldbus module. <p data-bbox="124 1641 199 1668">Liquid:</p> <p data-bbox="124 1671 558 1697">Pumped liquid: Water</p> <p data-bbox="124 1700 614 1727">Liquid temperature range: -4 .. 248 °F</p> <p data-bbox="124 1729 550 1756">Selected liquid temperature: 68 °F</p> <p data-bbox="124 1758 606 1785">Density: 62.29 lb/ft³</p> <p data-bbox="124 1818 239 1845">Technical:</p> <p data-bbox="124 1848 742 1874">Pump speed on which pump data are based: 3464 rpm</p> <p data-bbox="124 1877 638 1904">Rated flow: 15.4 US GPM</p> <p data-bbox="124 1906 574 1933">Rated head: 90.56 ft</p> <p data-bbox="124 1935 574 1962">Pump orientation: Vertical</p> <p data-bbox="124 1964 542 1991">Shaft seal arrangement: Single</p> <p data-bbox="124 1993 558 2020">Code for shaft seal: HQQE</p> <p data-bbox="124 2022 574 2049">Approvals: CURUS</p> <p data-bbox="124 2051 630 2078">Approvals for drinking water: NSF/ANSI 61</p> <p data-bbox="124 2080 686 2107">Curve tolerance: ISO9906:2012 3B</p> <p data-bbox="124 2141 231 2168">Materials:</p>

Qty.	Description
	<p>Base: Stainless steel EN 1.4408 AISI 316</p> <p>Impeller: Stainless steel EN 1.4401 AISI 316</p> <p>Bearing: SIC</p> <p>Installation:</p> <p>t max amb: 122 °F</p> <p>Maximum operating pressure: 362.59 psi</p> <p>Max pressure at stated temp: 363 psi / 250 °F 363 psi / -4 °F</p> <p>Type of connection: DIN / ANSI / JIS</p> <p>Size of inlet connection: DN 25/32</p> <p>Size of outlet connection: DN 25/32</p> <p>Pressure rating for connection: PN 25</p> <p>Flange rating inlet: 300 lb</p> <p>Flange size for motor: 56C</p> <p>Electrical data:</p> <p>Motor standard: NEMA</p> <p>Motor type: 71A</p> <p>IE Efficiency class: IE5</p> <p>Rated power - P2: 0.75 HP</p> <p>Power (P2) required by pump: 0.75 HP</p> <p>Mains frequency: 60 Hz</p> <p>Rated voltage: 1 x 200-240 V</p> <p>Service factor: 1.0</p> <p>Rated current: 3.45-2.90 A</p> <p>Cos phi - power factor: 0.98</p> <p>Rated speed: 360-4000 rpm</p> <p>Efficiency: 85.3%</p> <p>Motor efficiency at full load: 85.3 %</p> <p>Enclosure class (IEC 34-5): IP55</p> <p>Insulation class (IEC 85): F</p> <p>Motor No: 98362271</p> <p>Controls:</p> <p>Frequency converter: Built-in</p> <p>Pressure sensor: Y</p> <p>Others:</p> <p>Net weight: 59.9 lb</p> <p>Gross weight: 70.9 lb</p> <p>Shipping volume: 4.94 ft³</p>

99340809 CRNE 3-4 N-FGJ-A-E-HQQE 60 Hz



Note! All units are in [in] unless others are stated.