

PROJECT: _____	UNIT TAG: _____	QUANTITY: _____
REPRESENTATIVE: _____	TYPE OF SERVICE: _____	DATE: _____
ENGINEER: _____	SUBMITTED BY: _____	DATE: _____
CONTRACTOR: _____	APPROVED BY: _____	DATE: _____
	ORDER NO.: _____	DATE: _____

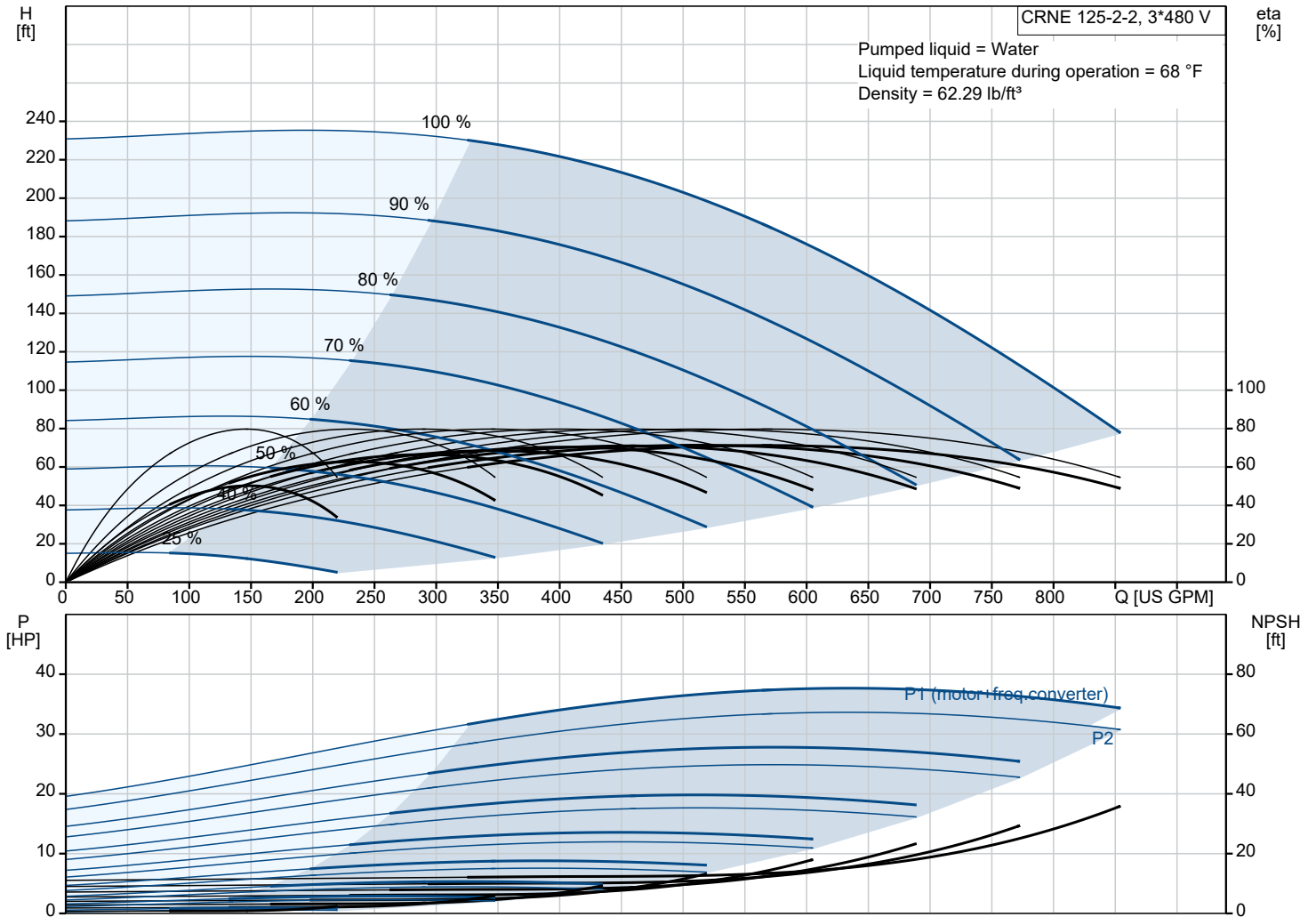


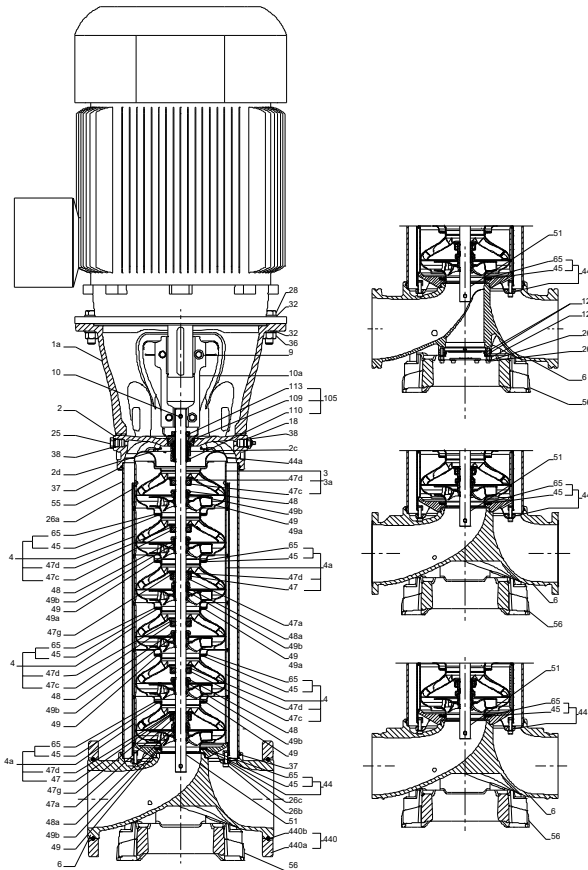
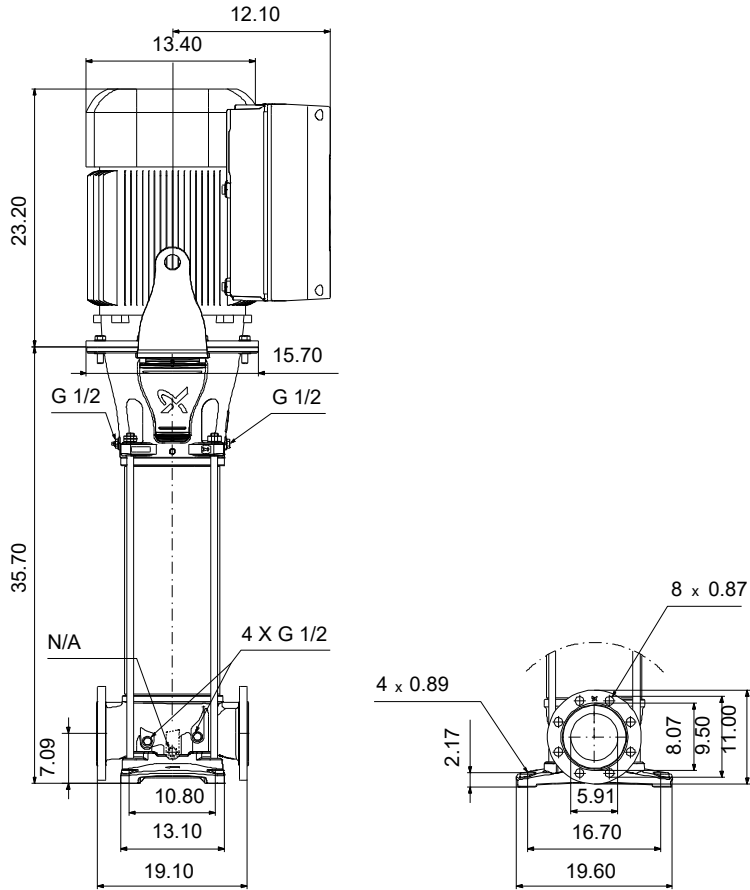
CRNE 125-2-2 N-G-A-E-HQQE

Vertical, multistage centrifugal pump with integrated frequency converter. Pump materials in contact with the liquid are in high-grade stainless steel (EN 1.4401)

Note! Product picture may differ from actual product

Conditions of Service		Pump Data		Motor Data	
Liquid:	Water	Liquid temperature range:	-4 .. 248 °F	Rated power - P2:	30 HP
Temperature:	68 °F	Maximum ambient temperature:	104 °F	Rated voltage:	460 V
Specific Gravity:	1.000	Shaft seal:	HQQE	Mains frequency:	60 Hz
		Product number:	99266512	Enclosure class:	IP55
				Insulation class:	F
				Motor protection:	YES
				Motor type:	180AA
				Eta 1/1:	91.7 %





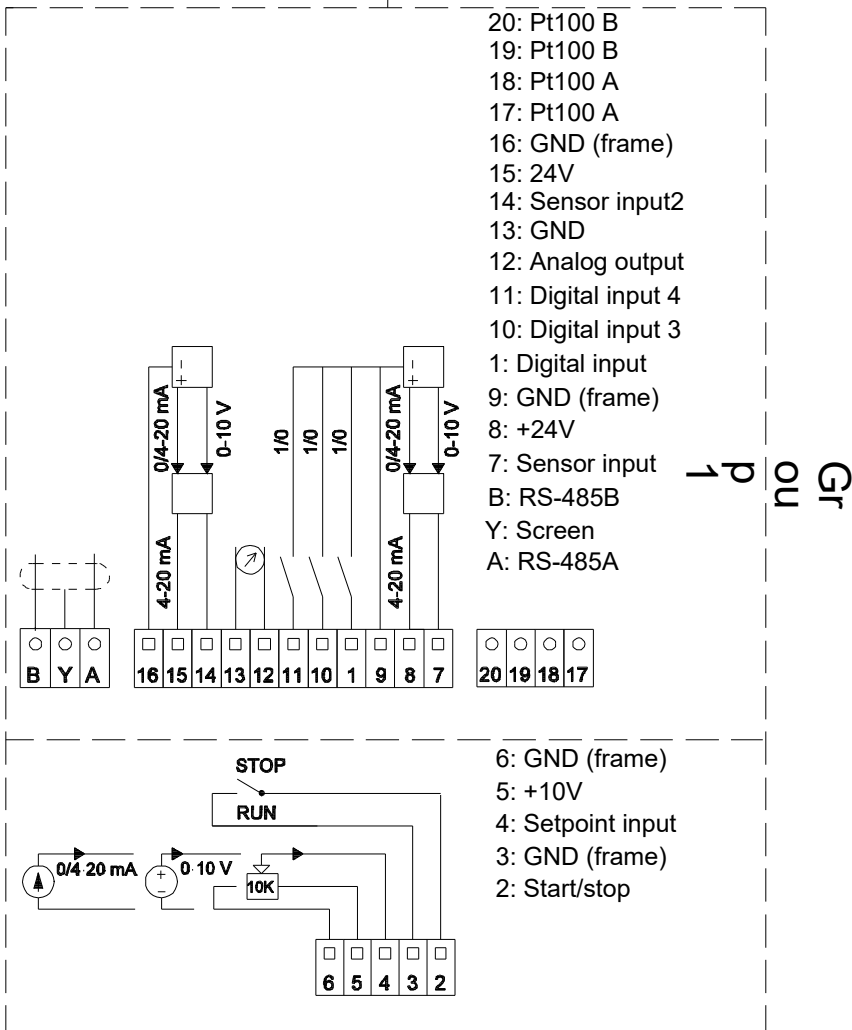
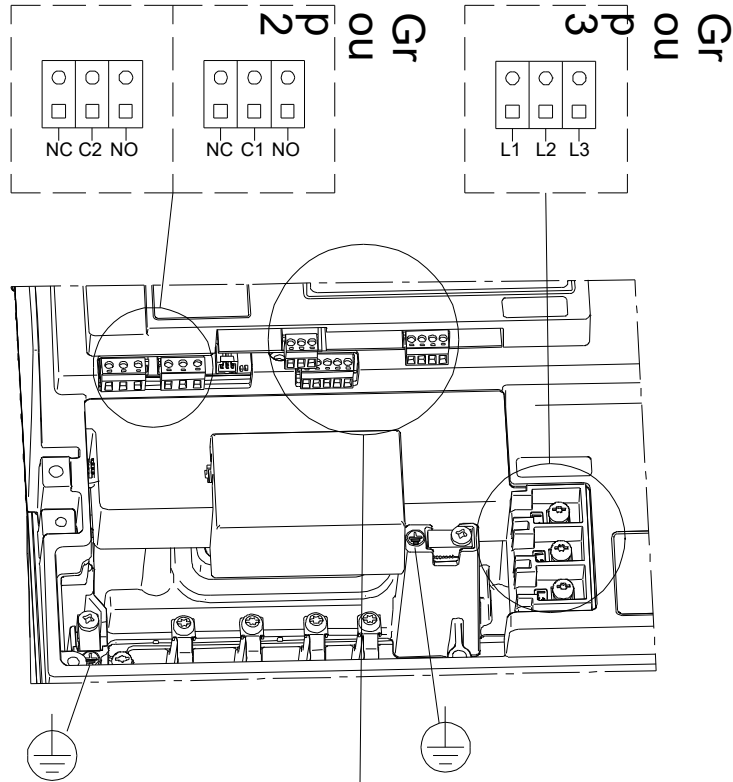
Materials:

- Base: Stainless steel
- Base: EN 1.4408
- Base: ASTM A351 CF8M
- Impeller: Stainless steel
- Impeller: AISI 316
- Impeller: EN 1.4401
- Material code: A
- Code for rubber: E

Qty.	Description
1	<p data-bbox="124 85 467 118">CRNE 125-2-2 N-G-A-E-HQQE</p> <p data-bbox="124 118 391 141">Product No.: 99266512</p> <p data-bbox="124 174 1520 253">Vertical, multistage centrifugal pump with inlet and outlet ports on same the level (inline). Pump materials in contact with the liquid are in high-grade stainless steel. The Grundfos cartridge shaft seal ensures high reliability, safe handling, and easy access and service. Power transmission is via a rigid split coupling. Pipe connection is via ANSI flanges.</p> <p data-bbox="124 264 842 286">The pump is fitted with a 3-phase, fan-cooled asynchronous motor.</p> <p data-bbox="124 297 1520 342">The motor includes a frequency converter and PI controller in the motor terminal box. This enables continuously variable control of the motor speed, which again enables adaptation of the performance to a given requirement.</p> <p data-bbox="124 353 1481 398">An operating panel on the motor terminal box enables setting of required setpoint as well as setting of pump to "Min." or "Max." operation or to "Stop". The operating panel has indicator lights for "Operation" and "Fault".</p> <p data-bbox="124 409 1473 477">Communication with the pump is possible by means of Grundfos GO Remote (accessory). The remote control enables further settings as well as reading out of a number of parameters such as "Actual value", "Speed", "Power input" and total "Power consumption".</p> <p data-bbox="124 488 722 510">The terminal box holds terminals for these connections:</p> <ul data-bbox="164 521 1457 846" style="list-style-type: none"> • pump start/stop input (potential-free contact) • remote setpoint setting via analog signal, 0-10 V, 0(4)-20 mA • 10 V voltage supply for setpoint potentiometer, I_{max} = 5 mA • three analog sensor inputs, 0-10 V, 0(4)-20 mA; the factory-fitted pressure sensor is connected to one of these inputs • 24 V voltage supply for sensor, I_{max} = 40 mA • one analog output • three digital inputs • two Pt100 inputs • two potential-free fault signal relays with changeover contact, reporting "Fault", "Operation" or "Ready" • RS-485 GENibus connection • interface for Grundfos CIM fieldbus module. <p data-bbox="124 880 204 902">Liquid:</p> <p data-bbox="124 913 563 936">Pumped liquid: Water</p> <p data-bbox="124 947 611 969">Liquid temperature range: -4 .. 248 °F</p> <p data-bbox="124 981 547 1003">Selected liquid temperature: 68 °F</p> <p data-bbox="124 1014 611 1037">Density: 62.29 lb/ft³</p> <p data-bbox="124 1059 244 1081">Technical:</p> <p data-bbox="124 1093 746 1115">Pump speed on which pump data are based: 3522 rpm</p> <p data-bbox="124 1126 635 1149">Rated flow: 660 US GPM</p> <p data-bbox="124 1160 579 1182">Rated head: 154.9 ft</p> <p data-bbox="124 1193 563 1216">Actual impeller diameter: 6.38 in</p> <p data-bbox="124 1227 579 1249">Pump orientation: Vertical</p> <p data-bbox="124 1261 563 1283">Shaft seal arrangement: Single</p> <p data-bbox="124 1294 563 1317">Code for shaft seal: HQQE</p> <p data-bbox="124 1328 531 1350">Approvals: CE</p> <p data-bbox="124 1361 802 1384">Approvals for drinking water: NSF/ANSI 61, NSF/ANSI 372</p> <p data-bbox="124 1395 691 1417">Curve tolerance: ISO9906:2012 3B</p> <p data-bbox="124 1440 236 1462">Materials:</p> <p data-bbox="124 1473 699 1529">Base: Stainless steel EN 1.4408 ASTM A351 CF8M</p> <p data-bbox="124 1541 651 1619">Impeller: Stainless steel EN 1.4401 AISI 316</p> <p data-bbox="124 1630 579 1653">Bearing: WC/WC</p> <p data-bbox="124 1664 563 1686">Support bearing: Graflon</p> <p data-bbox="124 1697 715 1720">Material certified according to: European standards</p> <p data-bbox="124 1753 252 1776">Installation:</p> <p data-bbox="124 1787 563 1809">t max amb: 104 °F</p> <p data-bbox="124 1821 611 1843">Maximum operating pressure: 232.06 psi</p> <p data-bbox="124 1854 667 1877">Max pressure at stated temp: 232 psi / 250 °F</p> <p data-bbox="124 1888 547 1910">Type of connection: ANSI</p> <p data-bbox="124 1921 563 1944">Size of inlet connection: 6 inch</p> <p data-bbox="124 1955 563 1977">Size of outlet connection: 6 inch</p> <p data-bbox="124 1989 563 2011">Pressure rating for connection: 150 lb</p> <p data-bbox="124 2022 563 2045">Flange size for motor: 286TC</p> <p data-bbox="124 2067 292 2089">Electrical data:</p> <p data-bbox="124 2101 563 2123">Motor standard: NEMA</p> <p data-bbox="124 2134 563 2157">Motor type: 180AA</p> <p data-bbox="124 2168 786 2190">IE Efficiency class: NEMA Premium / IE3 60Hz</p>

Qty.	Description
	Rated power - P2: 30 HP
	Power (P2) required by pump: 30 HP
	Mains frequency: 60 Hz
	Rated voltage: 3 x 460 V
	Service factor: 1.15
	Rated current: 36.5 A
	Cos phi - power factor: 0.88
	Rated speed: 480-3540 rpm
	Efficiency: IE3 91,7%
	Motor efficiency at full load: 91.7 %
	Number of poles: 2
	Enclosure class (IEC 34-5): IP55
	Insulation class (IEC 85): F
	Motor No: 85901139
	Controls:
	Frequency converter: Built-in
	Pressure sensor: Y
	Others:
	DOE Pump Energy Index VL: 0.59
	Net weight: 693 lb
	Gross weight: 957 lb
	Shipping volume: 44.2 ft ³
	Thrust handling device: N

99266512 CRNE 125-2-2 N-G-A-E-HQQE 60 Hz



Note! All units are in [in] unless others are stated.