

| | | |
|-----------------------|------------------------|-----------------|
| PROJECT: _____ | UNIT TAG: _____ | QUANTITY: _____ |
| REPRESENTATIVE: _____ | TYPE OF SERVICE: _____ | DATE: _____ |
| ENGINEER: _____ | SUBMITTED BY: _____ | DATE: _____ |
| CONTRACTOR: _____ | APPROVED BY: _____ | DATE: _____ |
| | ORDER NO.: _____ | DATE: _____ |

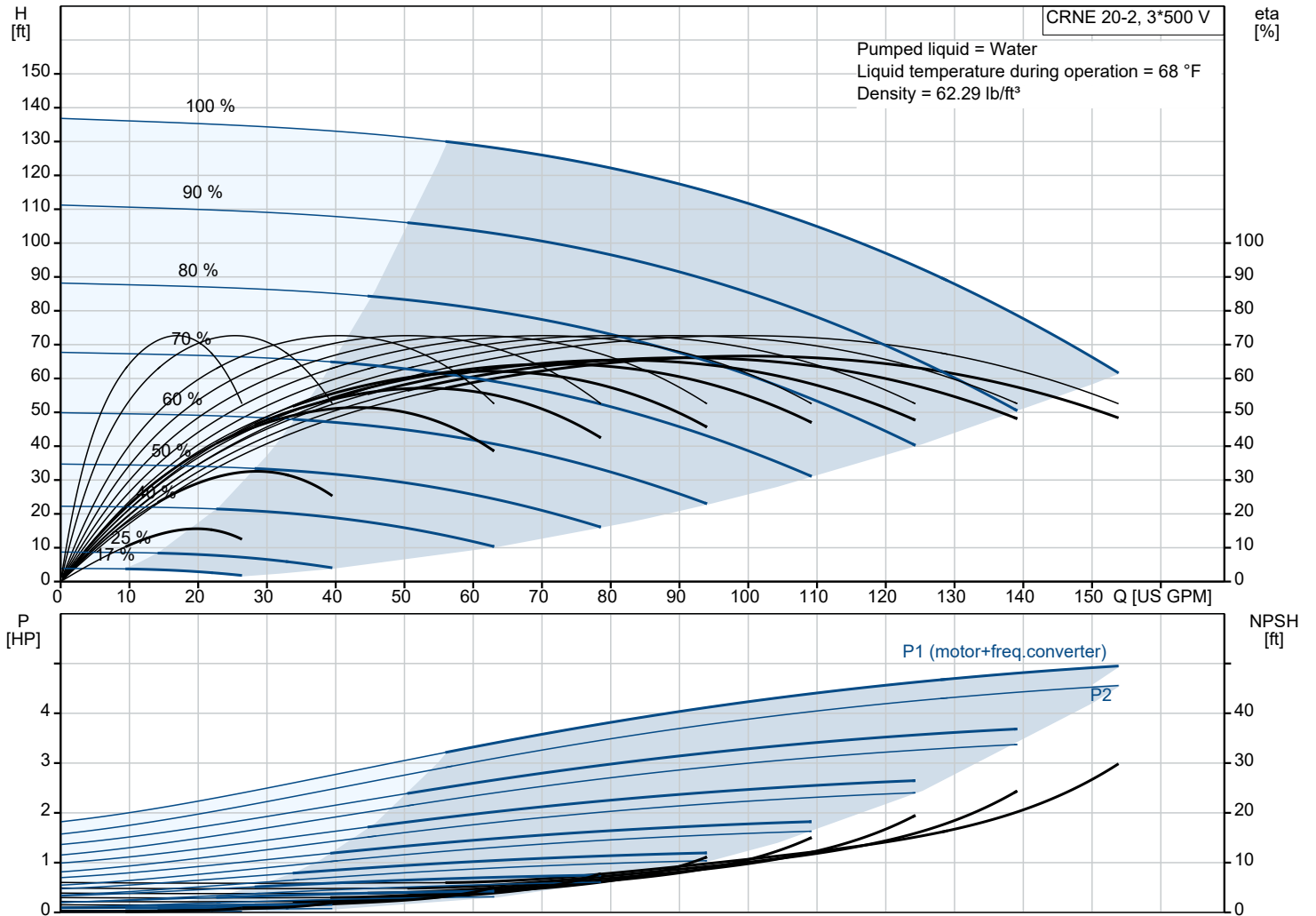


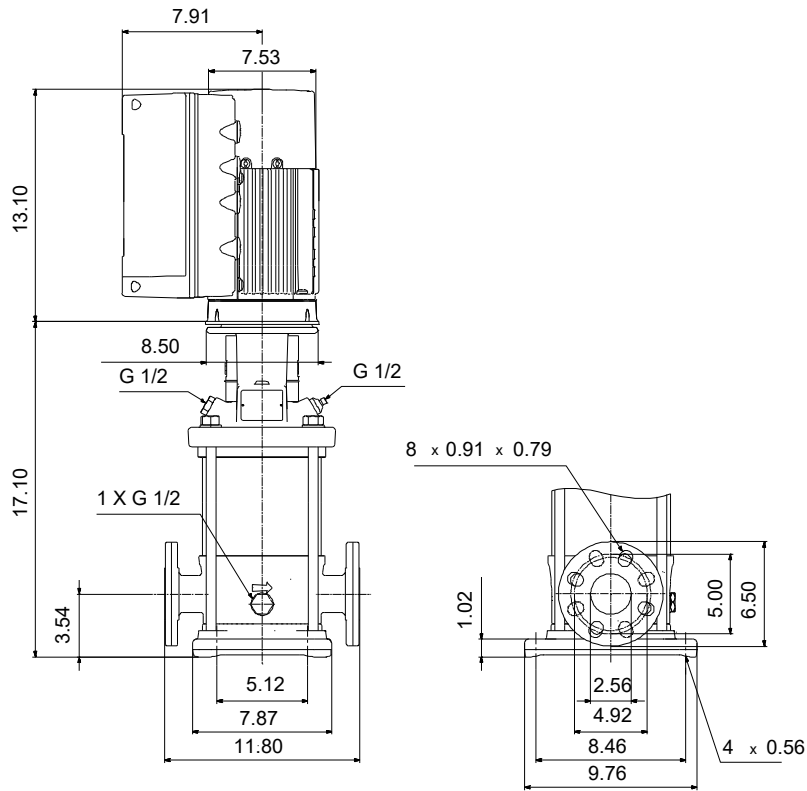
CRNE 20-2 N-FGJ-A-E-HQQE

Vertical, multistage centrifugal pump with integrated frequency converter. Pump materials in contact with the liquid are in high-grade stainless steel (EN 1.4401)

Note! Product picture may differ from actual product

| Conditions of Service | | Pump Data | | Motor Data | |
|-----------------------|-------|------------------------------|------------------|-------------------|-----------|
| Liquid: | Water | Max pressure at stated temp: | 363 psi / 250 °F | Rated power - P2: | 5 HP |
| Temperature: | 68 °F | Liquid temperature range: | -4 .. 248 °F | Rated voltage: | 440-480 V |
| Specific Gravity: | 1.000 | Maximum ambient temperature: | 122 °F | Mains frequency: | 60 Hz |
| | | Shaft seal: | HQQE | Enclosure class: | IP55 |
| | | Product number: | 99076299 | Insulation class: | F |
| | | | | Motor protection: | ELEC |
| | | | | Motor type: | 112C |
| | | | | Eta 1/1: | 92.5 % |





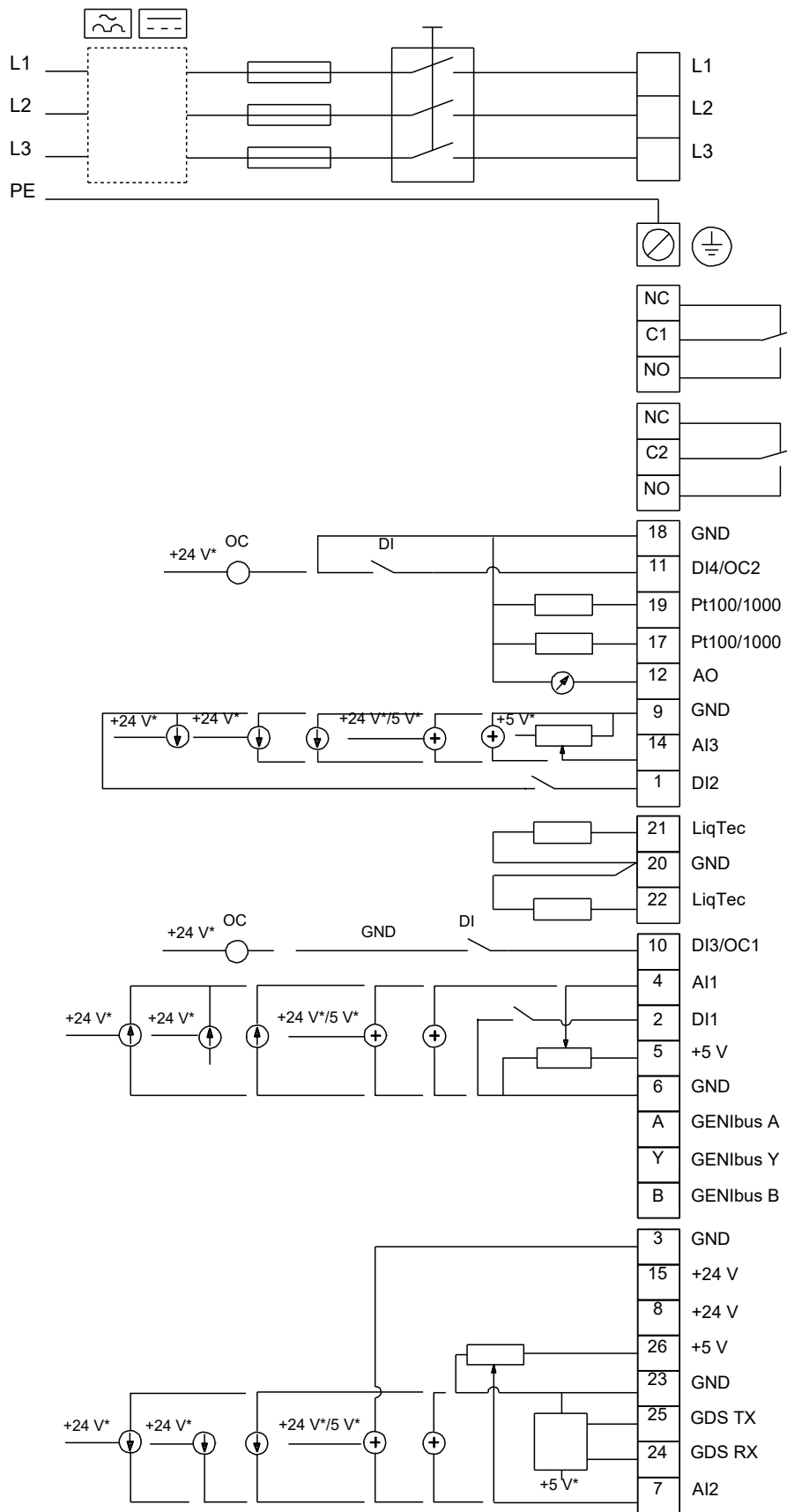
Materials:

- Base: Stainless steel
- Base: EN 1.4408
- Base: AISI 316
- Impeller: Stainless steel
- Impeller: AISI 316
- Impeller: EN 1.4401
- Material code: A
- Code for rubber: E

| Qty. | Description |
|------|---|
| 1 | <p data-bbox="124 85 459 118">CRNE 20-2 N-FGJ-A-E-HQQE</p> <p data-bbox="124 118 389 141">Product No.: 99076299</p> <p data-bbox="124 174 1520 253">Vertical, multistage centrifugal pump with inlet and outlet ports on same the level (inline). Pump materials in contact with the liquid are in high-grade stainless steel. A cartridge shaft seal ensures high reliability, safe handling, and easy access and service. Power transmission is via a rigid split coupling. Pipe connection is via combined DIN-ANSI-JIS flanges.</p> <p data-bbox="124 264 1050 297">The pump is fitted with a 3-phase, fan-cooled, permanent-magnet, synchronous motor.</p> <p data-bbox="124 297 938 320">The motor efficiency is classified as IE5 in accordance with IEC 60034-30-2.</p> <p data-bbox="124 320 1520 376">The motor includes a frequency converter and PI controller in the motor terminal box. This enables continuously variable control of the motor speed, which again enables adaptation of the performance to a given requirement.</p> <p data-bbox="124 376 1469 409">The operating panel on the motor terminal box features a four-inch TFT display, push-buttons and the Grundfos Eye indicator.</p> <p data-bbox="124 443 890 465">The display gives an intuitive and user-friendly interface to all functions.</p> <p data-bbox="124 465 1461 521">The push-buttons are used to navigate through the menu structure to access pump and performance data on site and enable setting of required setpoint as well as setting of pump to "Min." or "Max." operation or to "Stop".</p> <p data-bbox="124 589 1520 667">Communication with the pump is also possible by means of Grundfos GO Remote (accessory). The remote control enables further settings as well as reading out of a number of parameters such as "Actual value", "Speed", "Power input" and total "Power consumption".</p> <p data-bbox="124 701 1114 734">The Grundfos Eye indicator on the operating panel provides visual indication of pump status:</p> <ul data-bbox="164 734 1433 824" style="list-style-type: none"> • "Power on": Motor is running (rotating green indicator lights) or not running (permanently green indicator lights) • "Warning": Motor is still running (rotating yellow indicator lights) or has stopped (permanently yellow indicator lights) • "Alarm": Motor has stopped (flashing red indicator lights). <p data-bbox="124 824 1501 880">The terminal box has a number of inputs and outputs enabling the motor to be used in advanced applications where many inputs and outputs are required:</p> <ul data-bbox="164 880 1501 1261" style="list-style-type: none"> • two dedicated digital inputs • three analog inputs, 0(4)-20 mA, 0-5 V, 0-10 V, 0.5 - 3.5 V; the factory-fitted pressure sensor is connected to one of these inputs • 5 V voltage supply to potentiometer and sensor • one analog output, 0-10 V, 0(4)-20 mA • two configurable digital inputs or open-collector outputs • two Pt100/Pt1000 inputs • LiqTec, dry-running protection sensor input • Grundfos Digital Sensor input and output • 24 V voltage supply for sensors • two signal-relay outputs (potential-free contacts) • GENIbus connection • interface for Grundfos CIM fieldbus module. <p data-bbox="124 1294 199 1317">Liquid:</p> <p data-bbox="124 1328 555 1350">Pumped liquid: Water</p> <p data-bbox="124 1361 611 1384">Liquid temperature range: -4 .. 248 °F</p> <p data-bbox="124 1395 547 1417">Selected liquid temperature: 68 °F</p> <p data-bbox="124 1429 611 1451">Density: 62.29 lb/ft³</p> <p data-bbox="124 1485 236 1507">Technical:</p> <p data-bbox="124 1518 746 1541">Pump speed on which pump data are based: 3461 rpm</p> <p data-bbox="124 1552 635 1574">Rated flow: 111 US GPM</p> <p data-bbox="124 1585 555 1608">Rated head: 104 ft</p> <p data-bbox="124 1619 563 1641">Actual impeller diameter: 4.13 in</p> <p data-bbox="124 1653 571 1675">Pump orientation: Vertical</p> <p data-bbox="124 1686 547 1709">Shaft seal arrangement: Single</p> <p data-bbox="124 1720 563 1742">Code for shaft seal: HQQE</p> <p data-bbox="124 1753 579 1776">Approvals: CURUS</p> <p data-bbox="124 1787 635 1809">Approvals for drinking water: NSF/ANSI 61</p> <p data-bbox="124 1821 683 1843">Curve tolerance: ISO9906:2012 3B</p> <p data-bbox="124 1877 236 1899">Materials:</p> <p data-bbox="124 1910 651 1933">Base: Stainless steel</p> <p data-bbox="491 1944 611 1966">EN 1.4408</p> <p data-bbox="491 1977 587 2000">AISI 316</p> <p data-bbox="124 2011 651 2033">Impeller: Stainless steel</p> <p data-bbox="491 2045 611 2067">EN 1.4401</p> <p data-bbox="491 2078 587 2101">AISI 316</p> <p data-bbox="124 2112 531 2134">Bearing: SIC</p> <p data-bbox="124 2168 252 2190">Installation:</p> <p data-bbox="124 2201 563 2224">t max amb: 122 °F</p> <p data-bbox="124 2235 603 2240">Maximum operating pressure: 362.59 psi</p> |

| Qty. | Description |
|------|--|
| | <p>Max pressure at stated temp: 363 psi / 250 °F 363 psi / -4 °F</p> <p>Type of connection: DIN / ANSI / JIS</p> <p>Size of inlet connection: DN 50</p> <p>Size of outlet connection: DN 50</p> <p>Pressure rating for connection: PN 25</p> <p>Flange rating inlet: 300 lb</p> <p>Flange size for motor: 182TC</p> <p>Electrical data:</p> <p>Motor standard: NEMA</p> <p>Motor type: 112C</p> <p>IE Efficiency class: IE5</p> <p>Rated power - P2: 5 HP</p> <p>Power (P2) required by pump: 5 HP</p> <p>Mains frequency: 60 Hz</p> <p>Rated voltage: 3 x 440-480 V</p> <p>Service factor: 1.15</p> <p>Rated current: 6.20-5.80 A</p> <p>Cos phi - power factor: 0.90-0.88</p> <p>Rated speed: 360-4000 rpm</p> <p>Efficiency: 92.5%</p> <p>Motor efficiency at full load: 92.5 %</p> <p>Enclosure class (IEC 34-5): IP55</p> <p>Insulation class (IEC 85): F</p> <p>Motor No: 99256771</p> <p>Controls:</p> <p>Frequency converter: Built-in</p> <p>Pressure sensor: Y</p> <p>Others:</p> <p>DOE Pump Energy Index VL: 0.41</p> <p>Net weight: 148 lb</p> <p>Gross weight: 163 lb</p> <p>Shipping volume: 13.1 ft³</p> |

99076299 CRNE 20-2 N-FGJ-A-E-HQQE 60 Hz



Note! All units are in [in] unless others are stated.