

PROJECT: _____	UNIT TAG: _____	QUANTITY: _____
REPRESENTATIVE: _____	TYPE OF SERVICE: _____	DATE: _____
ENGINEER: _____	SUBMITTED BY: _____	DATE: _____
CONTRACTOR: _____	APPROVED BY: _____	DATE: _____
	ORDER NO.: _____	DATE: _____

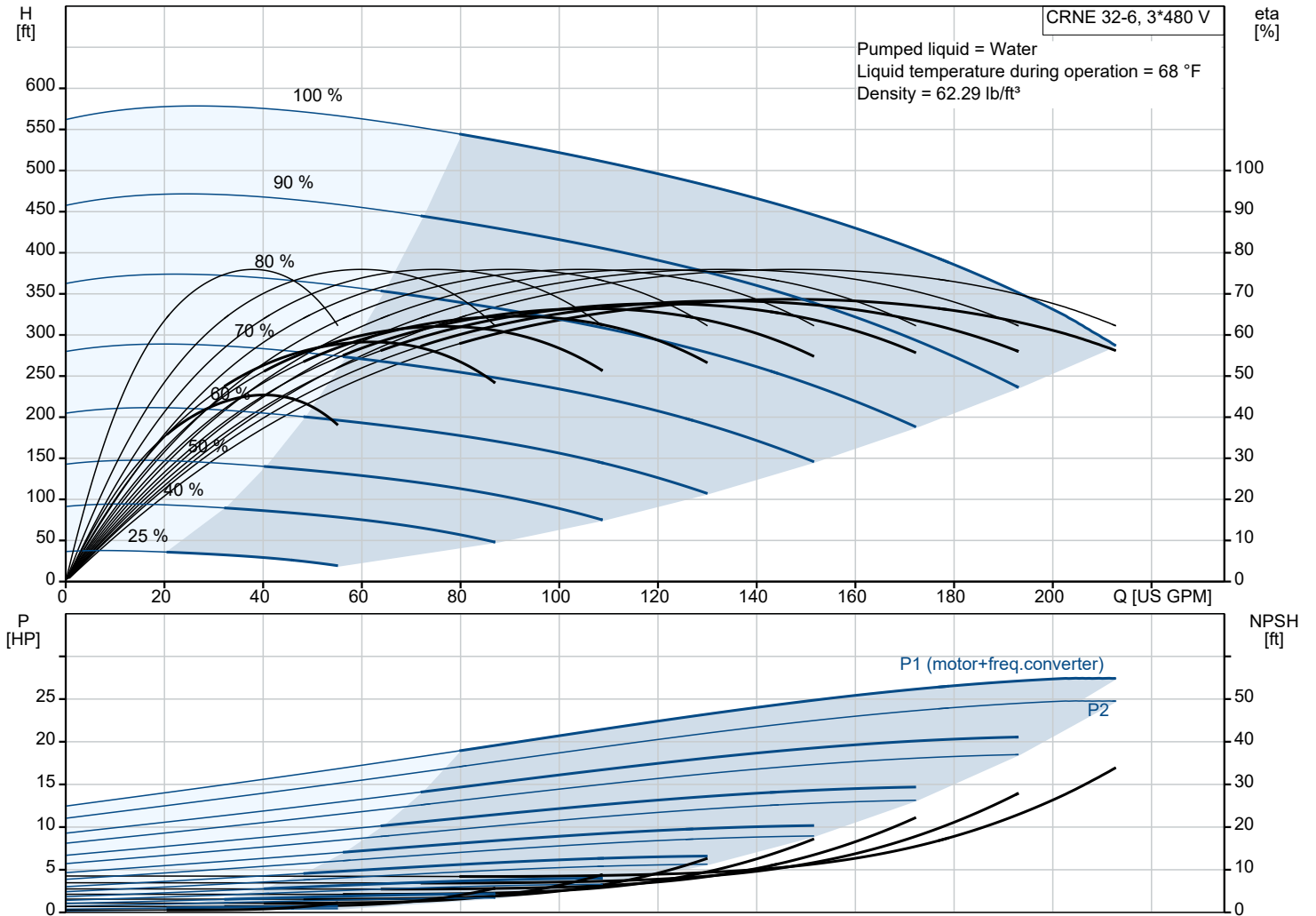


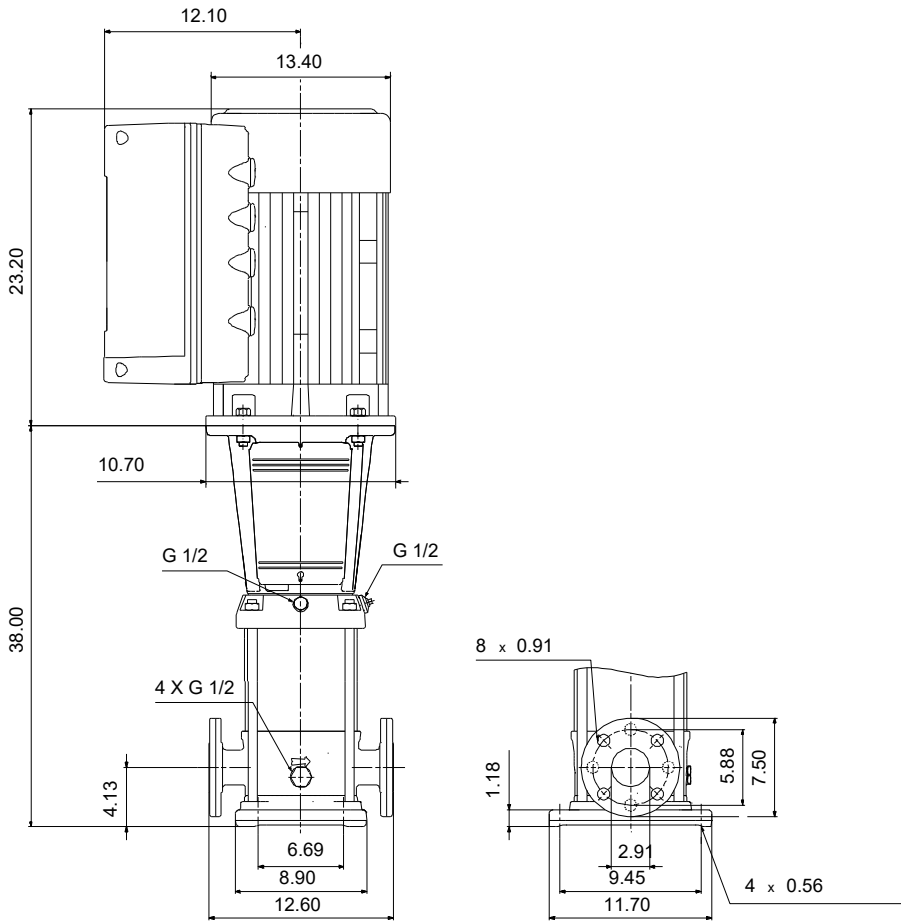
CRNE 32-6 N-G-A-E-HQQE

Vertical, multistage centrifugal pump with integrated frequency converter. Pump materials in contact with the liquid are in high-grade stainless steel (EN 1.4401)

Note! Product picture may differ from actual product

Conditions of Service		Pump Data		Motor Data	
Liquid:	Water	Max pressure at stated temp:	435 psi / 250 °F	Rated power - P2:	25 HP
Temperature:	68 °F	Liquid temperature range:	-40 .. 248 °F	Rated voltage:	460 V
Specific Gravity:	1.000	Maximum ambient temperature:	104 °F	Mains frequency:	60 Hz
		Shaft seal:	HQQE	Enclosure class:	IP55
		Product number:	98183619	Insulation class:	F
				Motor protection:	YES
				Motor type:	160AC
				Eta 1/1:	91.7 %





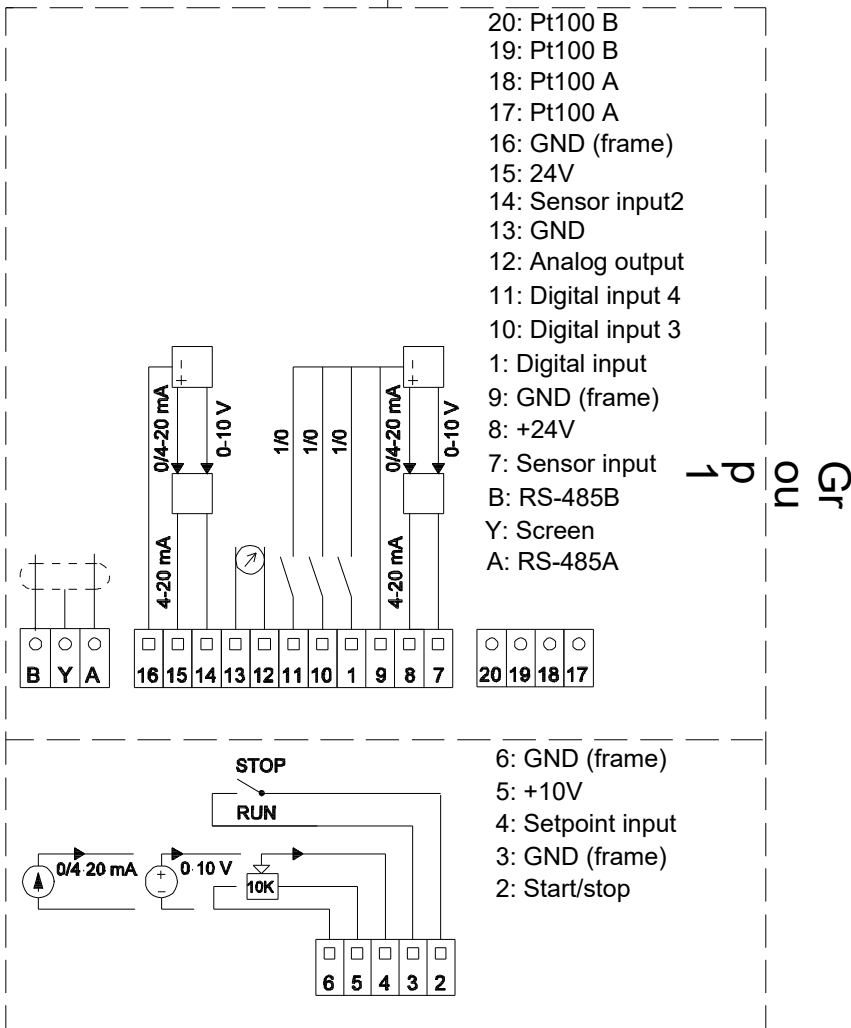
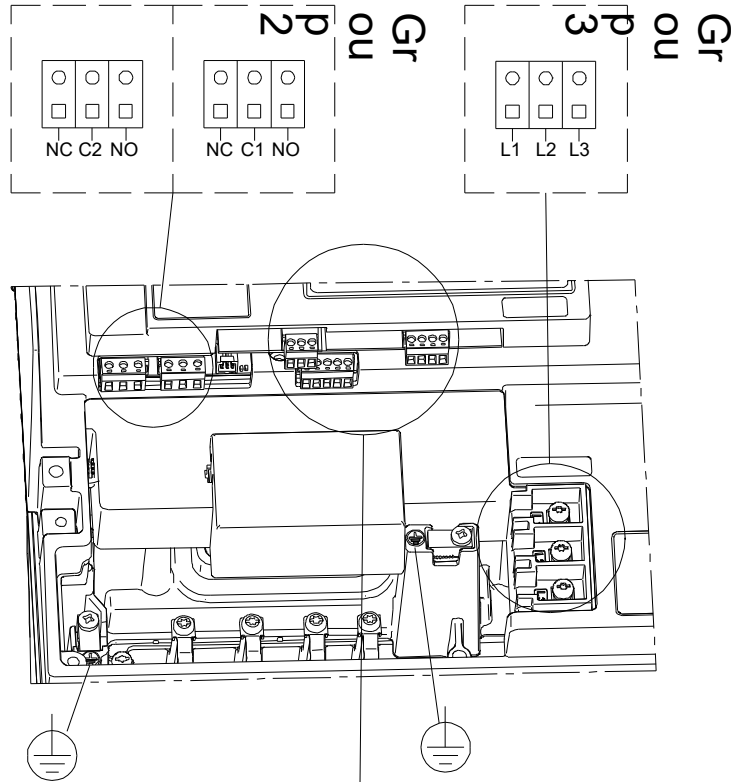
Materials:

- Base: Stainless steel
- Base: EN 1.4408
- Base: AISI 316
- Impeller: Stainless steel
- Impeller: AISI 316
- Impeller: EN 1.4401
- Material code: A
- Code for rubber: E

Qty.	Description
1	<p data-bbox="124 85 432 114">CRNE 32-6 N-G-A-E-HQQE</p> <p data-bbox="124 114 389 143">Product No.: 98183619</p> <p data-bbox="124 174 1517 248">Vertical, multistage centrifugal pump with inlet and outlet ports on same the level (inline). Pump materials in contact with the liquid are in high-grade stainless steel. A cartridge shaft seal ensures high reliability, safe handling, and easy access and service. Power transmission is via a rigid split coupling. Pipe connection is via ANSI flanges.</p> <p data-bbox="124 259 839 288">The pump is fitted with a 3-phase, fan-cooled asynchronous motor.</p> <p data-bbox="124 293 1517 342">The motor includes a frequency converter and PI controller in the motor terminal box. This enables continuously variable control of the motor speed, which again enables adaptation of the performance to a given requirement.</p> <p data-bbox="124 347 1477 398">An operating panel on the motor terminal box enables setting of required setpoint as well as setting of pump to "Min." or "Max." operation or to "Stop". The operating panel has indicator lights for "Operation" and "Fault".</p> <p data-bbox="124 403 1469 479">Communication with the pump is possible by means of Grundfos GO Remote (accessory). The remote control enables further settings as well as reading out of a number of parameters such as "Actual value", "Speed", "Power input" and total "Power consumption".</p> <p data-bbox="124 490 719 519">The terminal box holds terminals for these connections:</p> <ul data-bbox="164 521 1453 846" style="list-style-type: none"> • pump start/stop input (potential-free contact) • remote setpoint setting via analog signal, 0-10 V, 0(4)-20 mA • 10 V voltage supply for setpoint potentiometer, I_{max} = 5 mA • three analog sensor inputs, 0-10 V, 0(4)-20 mA; the factory-fitted pressure sensor is connected to one of these inputs • 24 V voltage supply for sensor, I_{max} = 40 mA • one analog output • three digital inputs • two Pt100 inputs • two potential-free fault signal relays with changeover contact, reporting "Fault", "Operation" or "Ready" • RS-485 GENIbus connection • interface for Grundfos CIM fieldbus module. <p data-bbox="124 880 201 904">Liquid:</p> <p data-bbox="124 907 557 936">Pumped liquid: Water</p> <p data-bbox="124 938 624 965">Liquid temperature range: -40 .. 248 °F</p> <p data-bbox="124 967 549 994">Selected liquid temperature: 68 °F</p> <p data-bbox="124 996 606 1023">Density: 62.29 lb/ft³</p> <p data-bbox="124 1057 237 1081">Technical:</p> <p data-bbox="124 1084 743 1113">Pump speed on which pump data are based: 3521 rpm</p> <p data-bbox="124 1115 633 1142">Rated flow: 159 US GPM</p> <p data-bbox="124 1144 572 1171">Rated head: 429.5 ft</p> <p data-bbox="124 1173 563 1200">Actual impeller diameter: 4.66 in</p> <p data-bbox="124 1202 571 1229">Pump orientation: Vertical</p> <p data-bbox="124 1232 557 1258">Shaft seal arrangement: Single</p> <p data-bbox="124 1261 563 1288">Code for shaft seal: HQQE</p> <p data-bbox="124 1290 576 1317">Approvals: CURUS</p> <p data-bbox="124 1319 633 1346">Approvals for drinking water: NSF/ANSI 61</p> <p data-bbox="124 1348 683 1375">Curve tolerance: ISO9906:2012 3B</p> <p data-bbox="124 1411 233 1435">Materials:</p> <p data-bbox="124 1438 647 1525">Base: Stainless steel EN 1.4408 AISI 316</p> <p data-bbox="124 1527 647 1615">Impeller: Stainless steel EN 1.4401 AISI 316</p> <p data-bbox="124 1617 533 1644">Bearing: SIC</p> <p data-bbox="124 1646 571 1673">Support bearing: Graflon</p> <p data-bbox="124 1709 250 1733">Installation:</p> <p data-bbox="124 1736 563 1762">t max amb: 104 °F</p> <p data-bbox="124 1765 603 1792">Maximum operating pressure: 435.11 psi</p> <p data-bbox="124 1794 660 1854">Max pressure at stated temp: 435 psi / 250 °F 435 psi / -40 °F</p> <p data-bbox="124 1856 549 1883">Type of connection: ANSI</p> <p data-bbox="124 1886 596 1912">Size of inlet connection: 2 1/2 inch</p> <p data-bbox="124 1915 596 1942">Size of outlet connection: 2 1/2 inch</p> <p data-bbox="124 1944 558 1971">Pressure rating for connection: PN 40</p> <p data-bbox="124 1973 558 2000">Flange rating inlet: 300 lb</p> <p data-bbox="124 2002 563 2029">Flange size for motor: 284TC</p> <p data-bbox="124 2065 287 2089">Electrical data:</p> <p data-bbox="124 2092 563 2119">Motor standard: NEMA</p> <p data-bbox="124 2121 563 2148">Motor type: 160AC</p>

Qty.	Description
	IE Efficiency class: NEMA Premium / IE3 60Hz
	Rated power - P2: 25 HP
	Power (P2) required by pump: 25 HP
	Mains frequency: 60 Hz
	Rated voltage: 3 x 460 V
	Service factor: 1.15
	Rated current: 30.5 A
	Cos phi - power factor: 0.88
	Rated speed: 480-3540 rpm
	Efficiency: IE3 91,7%
	Motor efficiency at full load: 91.7 %
	Number of poles: 2
	Enclosure class (IEC 34-5): IP55
	Insulation class (IEC 85): F
	Motor No: 85901138
	Controls:
	Frequency converter: Built-in
	Pressure sensor: Y
	Others:
	DOE Pump Energy Index VL: 0.44
	Net weight: 473 lb
	Gross weight: 491 lb
	Shipping volume: 29 ft ³

98183619 CRNE 32-6 N-G-A-E-HQQE 60 Hz



Note! All units are in [in] unless others are stated.