

PROJECT: _____	UNIT TAG: _____	QUANTITY: _____
REPRESENTATIVE: _____	TYPE OF SERVICE: _____	DATE: _____
ENGINEER: _____	SUBMITTED BY: _____	DATE: _____
CONTRACTOR: _____	APPROVED BY: _____	DATE: _____
	ORDER NO.: _____	DATE: _____

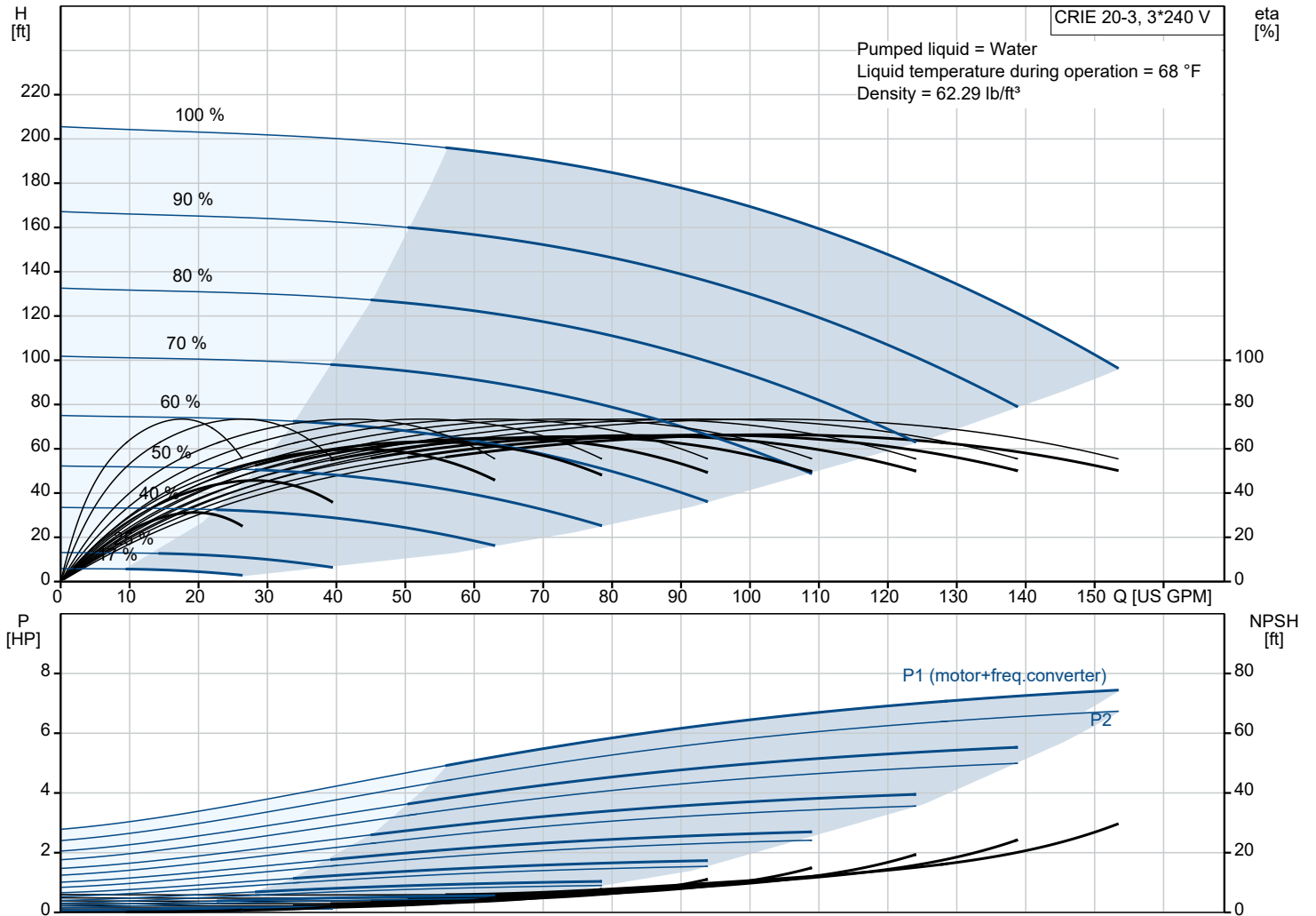


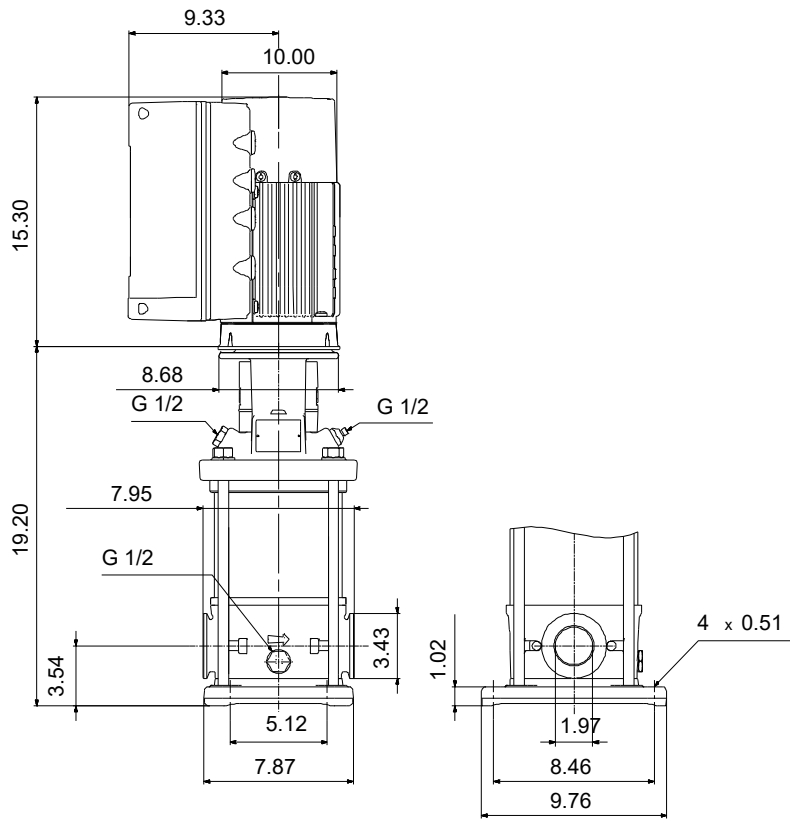
CRIE 20-3 N-CA-A-E-HQQE

Vertical, multistage centrifugal pump with integrated frequency converter.
Pump materials in contact with the liquid are in stainless steel (EN 1.4301)

Note! Product picture may differ from actual product


Conditions of Service		Pump Data		Motor Data	
Liquid:	Water	Max pressure at stated temp:	232 psi / 250 °F	Rated power - P2:	7.5 HP
Temperature:	68 °F	Liquid temperature range:	-4 .. 248 °F	Rated voltage:	200-240 V
Specific Gravity:	1.000	Maximum ambient temperature:	104 °F	Mains frequency:	60 Hz
		Shaft seal:	HQQE	Enclosure class:	IP55
		Product number:	99392201	Insulation class:	F
				Motor protection:	ELEC
				Motor type:	132F
				Eta 1/1:	90.2 %





Materials:

- Base: Stainless steel
- Base: EN 1.4408
- Base: AISI 316
- Impeller: Stainless steel
- Impeller: AISI 304
- Impeller: EN 1.4301
- Material code: A
- Code for rubber: E

Qty.	Description
1	<p data-bbox="124 85 437 114">CRIE 20-3 N-CA-A-E-HQQE</p>  <p data-bbox="517 434 991 456">Note! Product picture may differ from actual product</p> <p data-bbox="124 463 387 488">Product No.: 99392201</p> <p data-bbox="124 524 1509 598">Vertical, multistage centrifugal pump with inlet and outlet ports on same the level (inline). Pump materials in contact with the liquid are in stainless steel. A cartridge shaft seal ensures high reliability, safe handling, and easy access and service. Power transmission is via a rigid split coupling. Pipe connection is via FlexiClamps.</p> <p data-bbox="124 609 1051 633">The pump is fitted with a 3-phase, fan-cooled, permanent-magnet, synchronous motor.</p> <p data-bbox="124 638 940 663">The motor efficiency is classified as IE5 in accordance with IEC 60034-30-2.</p> <p data-bbox="124 667 1517 719">The motor includes a frequency converter and PI controller in the motor terminal box. This enables continuously variable control of the motor speed, which again enables adaptation of the performance to a given requirement.</p> <p data-bbox="124 723 1469 748">The operating panel on the motor terminal box features a four-inch TFT display, push-buttons and the Grundfos Eye indicator.</p> <p data-bbox="124 784 890 808">The display gives an intuitive and user-friendly interface to all functions.</p> <p data-bbox="124 813 1461 864">The push-buttons are used to navigate through the menu structure to access pump and performance data on site and enable setting of required setpoint as well as setting of pump to "Min." or "Max." operation or to "Stop".</p> <p data-bbox="124 931 1517 1005">Communication with the pump is also possible by means of Grundfos GO Remote (accessory). The remote control enables further settings as well as reading out of a number of parameters such as "Actual value", "Speed", "Power input" and total "Power consumption".</p> <p data-bbox="124 1048 1115 1072">The Grundfos Eye indicator on the operating panel provides visual indication of pump status:</p> <ul data-bbox="164 1077 1434 1164" style="list-style-type: none"> • "Power on": Motor is running (rotating green indicator lights) or not running (permanently green indicator lights) • "Warning": Motor is still running (rotating yellow indicator lights) or has stopped (permanently yellow indicator lights) • "Alarm": Motor has stopped (flashing red indicator lights). <p data-bbox="124 1169 1501 1220">The terminal box has a number of inputs and outputs enabling the motor to be used in advanced applications where many inputs and outputs are required:</p> <ul data-bbox="164 1225 1501 1608" style="list-style-type: none"> • two dedicated digital inputs • three analog inputs, 0(4)-20 mA, 0-5 V, 0-10 V, 0.5 - 3.5 V; the factory-fitted pressure sensor is connected to one of these inputs • 5 V voltage supply to potentiometer and sensor • one analog output, 0-10 V, 0(4)-20 mA • two configurable digital inputs or open-collector outputs • two Pt100/Pt1000 inputs • LiqTec, dry-running protection sensor input • Grundfos Digital Sensor input and output • 24 V voltage supply for sensors • two signal-relay outputs (potential-free contacts) • GENIbus connection • interface for Grundfos CIM fieldbus module. <p data-bbox="124 1639 201 1664">Liquid:</p> <p data-bbox="124 1668 557 1693">Pumped liquid: Water</p> <p data-bbox="124 1697 611 1722">Liquid temperature range: -4 .. 248 °F</p> <p data-bbox="124 1727 549 1751">Selected liquid temperature: 68 °F</p> <p data-bbox="124 1756 606 1780">Density: 62.29 lb/ft³</p> <p data-bbox="124 1816 237 1841">Technical:</p> <p data-bbox="124 1845 743 1870">Pump speed on which pump data are based: 3467 rpm</p> <p data-bbox="124 1874 633 1899">Rated flow: 111 US GPM</p> <p data-bbox="124 1904 572 1928">Rated head: 159.1 ft</p> <p data-bbox="124 1933 564 1957">Actual impeller diameter: 4.13 in</p> <p data-bbox="124 1962 572 1986">Pump orientation: Vertical</p> <p data-bbox="124 1991 384 2016">Shaft seal arrangement: Single</p> <p data-bbox="124 2020 564 2045">Code for shaft seal: HQQE</p> <p data-bbox="124 2049 576 2074">Approvals: CURUS</p> <p data-bbox="124 2078 633 2103">Approvals for drinking water: NSF/ANSI 61</p> <p data-bbox="124 2107 683 2132">Curve tolerance: ISO9906:2012 3B</p>

99392201 CRIE 20-3 N-CA-A-E-HQQE 60 Hz



Note! All units are in [in] unless others are stated.