

PROJECT: _____	UNIT TAG: _____	QUANTITY: _____
REPRESENTATIVE: _____	TYPE OF SERVICE: _____	DATE: _____
ENGINEER: _____	SUBMITTED BY: _____	DATE: _____
CONTRACTOR: _____	APPROVED BY: _____	DATE: _____
	ORDER NO.: _____	DATE: _____

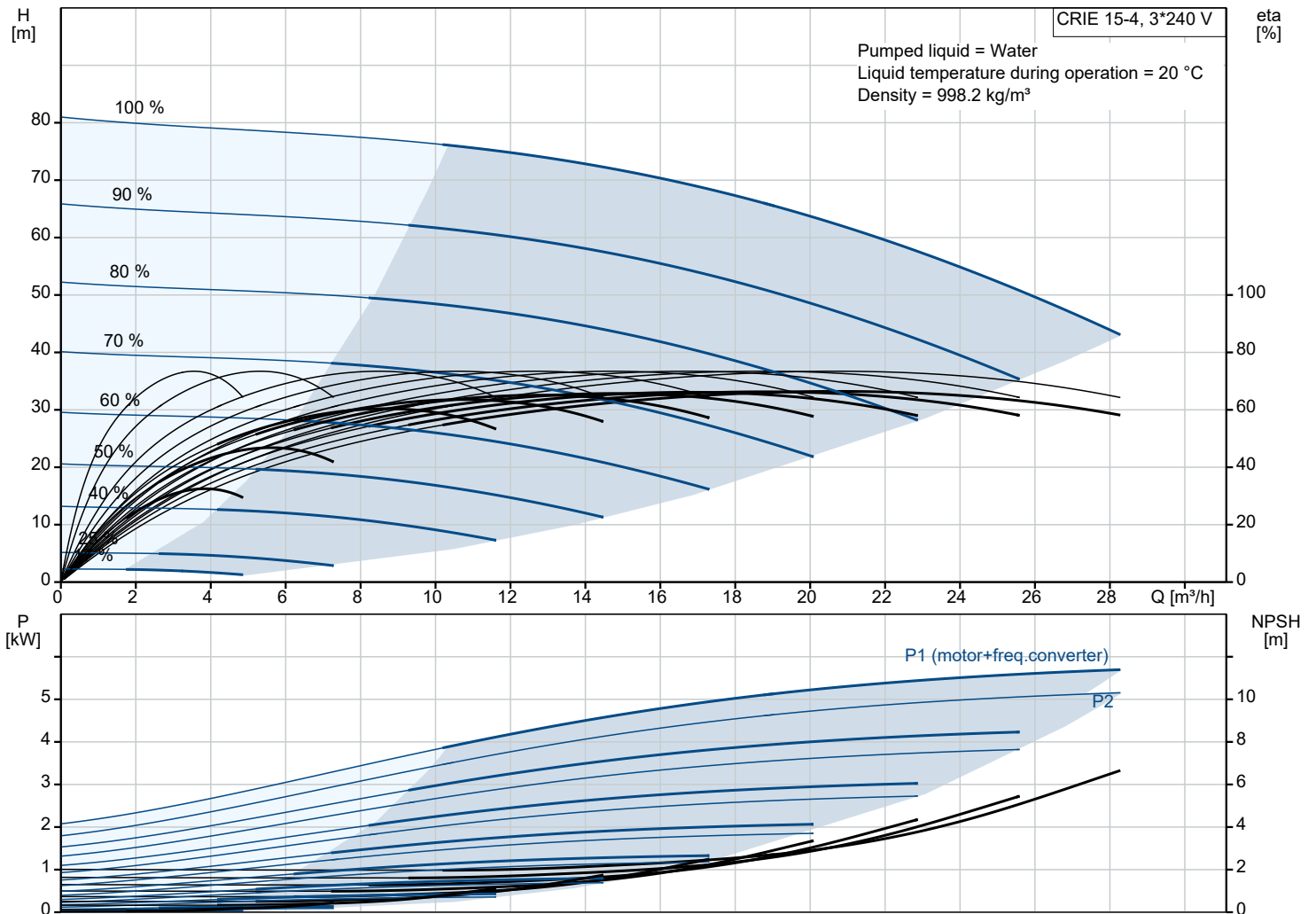


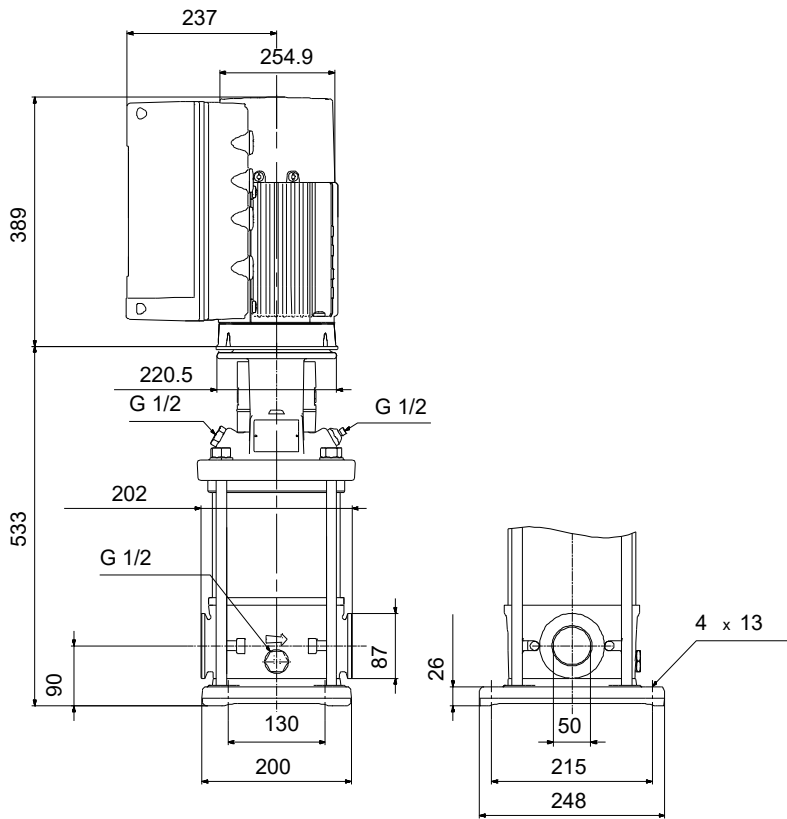
CRIE 15-4 N-CA-A-E-HQQE

Vertical, multistage centrifugal pump with integrated frequency converter.
Pump materials in contact with the liquid are in stainless steel (EN 1.4301)

Note! Product picture may differ from actual product


Conditions of Service		Pump Data		Motor Data	
Liquid:	Water	Max pressure at stated temp:	16 bar / 120 °C	Rated power - P2:	5.5 kW
Temperature:	20 °C	Liquid temperature range:	-20 .. 120 °C	Rated voltage:	200-240 V
Specific Gravity:	1.000	Maximum ambient temperature:	40 °C	Mains frequency:	60 Hz
		Shaft seal:	HQQE	Enclosure class:	IP55
		Product number:	99392130	Insulation class:	F
				Motor protection:	ELEC
				Motor type:	132F
				Eta 1/1:	90.2 %





Materials:

Base: Stainless steel
 Base: EN 1.4408
 Base: AISI 316
 Impeller: Stainless steel
 Impeller: AISI 304
 Impeller: EN 1.4301
 Material code: A
 Code for rubber: E

Qty.	Description
1	<p data-bbox="124 85 437 114">CRIE 15-4 N-CA-A-E-HQQE</p>  <p data-bbox="517 434 991 456">Note! Product picture may differ from actual product</p> <p data-bbox="124 465 389 488">Product No.: 99392130</p> <p data-bbox="124 524 1513 600">Vertical, multistage centrifugal pump with inlet and outlet ports on same the level (inline). Pump materials in contact with the liquid are in stainless steel. A cartridge shaft seal ensures high reliability, safe handling, and easy access and service. Power transmission is via a rigid split coupling. Pipe connection is via FlexiClamps.</p> <p data-bbox="124 609 1050 631">The pump is fitted with a 3-phase, fan-cooled, permanent-magnet, synchronous motor.</p> <p data-bbox="124 640 938 663">The motor efficiency is classified as IE5 in accordance with IEC 60034-30-2.</p> <p data-bbox="124 667 1519 721">The motor includes a frequency converter and PI controller in the motor terminal box. This enables continuously variable control of the motor speed, which again enables adaptation of the performance to a given requirement.</p> <p data-bbox="124 725 1471 748">The operating panel on the motor terminal box features a four-inch TFT display, push-buttons and the Grundfos Eye indicator.</p> <p data-bbox="124 784 890 806">The display gives an intuitive and user-friendly interface to all functions.</p> <p data-bbox="124 815 1461 869">The push-buttons are used to navigate through the menu structure to access pump and performance data on site and enable setting of required setpoint as well as setting of pump to "Min." or "Max." operation or to "Stop".</p> <p data-bbox="124 931 1519 1008">Communication with the pump is also possible by means of Grundfos GO Remote (accessory). The remote control enables further settings as well as reading out of a number of parameters such as "Actual value", "Speed", "Power input" and total "Power consumption".</p> <p data-bbox="124 1048 1114 1070">The Grundfos Eye indicator on the operating panel provides visual indication of pump status:</p> <ul data-bbox="162 1079 1433 1169" style="list-style-type: none"> • "Power on": Motor is running (rotating green indicator lights) or not running (permanently green indicator lights) • "Warning": Motor is still running (rotating yellow indicator lights) or has stopped (permanently yellow indicator lights) • "Alarm": Motor has stopped (flashing red indicator lights). <p data-bbox="124 1169 1503 1223">The terminal box has a number of inputs and outputs enabling the motor to be used in advanced applications where many inputs and outputs are required:</p> <ul data-bbox="162 1227 1503 1608" style="list-style-type: none"> • two dedicated digital inputs • three analog inputs, 0(4)-20 mA, 0-5 V, 0-10 V, 0.5 - 3.5 V; the factory-fitted pressure sensor is connected to one of these inputs • 5 V voltage supply to potentiometer and sensor • one analog output, 0-10 V, 0(4)-20 mA • two configurable digital inputs or open-collector outputs • two Pt100/Pt1000 inputs • LiqTec, dry-running protection sensor input • Grundfos Digital Sensor input and output • 24 V voltage supply for sensors • two signal-relay outputs (potential-free contacts) • GENIbus connection • interface for Grundfos CIM fieldbus module. <p data-bbox="124 1639 197 1662">Liquid:</p> <p data-bbox="124 1671 555 1693">Pumped liquid: Water</p> <p data-bbox="124 1697 625 1720">Liquid temperature range: -20 .. 120 °C</p> <p data-bbox="124 1724 555 1747">Selected liquid temperature: 20 °C</p> <p data-bbox="124 1751 619 1774">Density: 998.2 kg/m³</p> <p data-bbox="124 1814 236 1836">Technical:</p> <p data-bbox="124 1845 740 1868">Pump speed on which pump data are based: 3467 rpm</p> <p data-bbox="124 1872 593 1895">Rated flow: 20.5 m³/h</p> <p data-bbox="124 1899 561 1921">Rated head: 62.8 m</p> <p data-bbox="124 1926 600 1948">Actual impeller diameter: 104.9 mm</p> <p data-bbox="124 1953 571 1975">Pump orientation: Vertical</p> <p data-bbox="124 1980 545 2002">Shaft seal arrangement: Single</p> <p data-bbox="124 2007 561 2029">Code for shaft seal: HQQE</p> <p data-bbox="124 2033 577 2056">Approvals: CURUS</p> <p data-bbox="124 2060 635 2083">Approvals for drinking water: NSF/ANSI 61</p> <p data-bbox="124 2087 683 2110">Curve tolerance: ISO9906:2012 3B</p>

Qty.	Description
	Materials:
	Base: Stainless steel EN 1.4408 AISI 316
	Impeller: Stainless steel EN 1.4301 AISI 304
	Bearing: SIC
	Installation:
	t max amb: 40 °C
	Maximum operating pressure: 16 bar
	Max pressure at stated temp: 16 bar / 120 °C 16 bar / -20 °C
	Type of connection: FlexiClamp
	Size of inlet connection: DN 50
	Size of outlet connection: DN 50
	Pressure rating for connection: PN 25
	Flange size for motor: 213TC
	Electrical data:
	Motor standard: NEMA
	Motor type: 132F
	IE Efficiency class: IE5
	Rated power - P2: 5.5 kW
	Power (P2) required by pump: 5.5 kW
	Mains frequency: 60 Hz
	Rated voltage: 3 x 200-240 V
	Service factor: 1.15
	Rated current: 20.0-16.6 A
	Cos phi - power factor: 0.94
	Rated speed: 360-4000 rpm
	Efficiency: 90.2%
	Motor efficiency at full load: 90.2 %
	Enclosure class (IEC 34-5): IP55
	Insulation class (IEC 85): F
	Motor No: 99301703
	Controls:
	Frequency converter: Built-in
	Pressure sensor: Y
	Others:
	DOE Pump Energy Index VL: 0.42
	Net weight: 79 kg
	Gross weight: 118 kg
	Shipping volume: 0.37 m ³

99392130 CRIE 15-4 N-CA-A-E-HQQE 60 Hz



Note! All units are in [mm] unless others are stated.