

PROJECT: _____	UNIT TAG: _____	QUANTITY: _____
REPRESENTATIVE: _____	TYPE OF SERVICE: _____	DATE: _____
ENGINEER: _____	SUBMITTED BY: _____	DATE: _____
CONTRACTOR: _____	APPROVED BY: _____	DATE: _____
	ORDER NO.: _____	DATE: _____

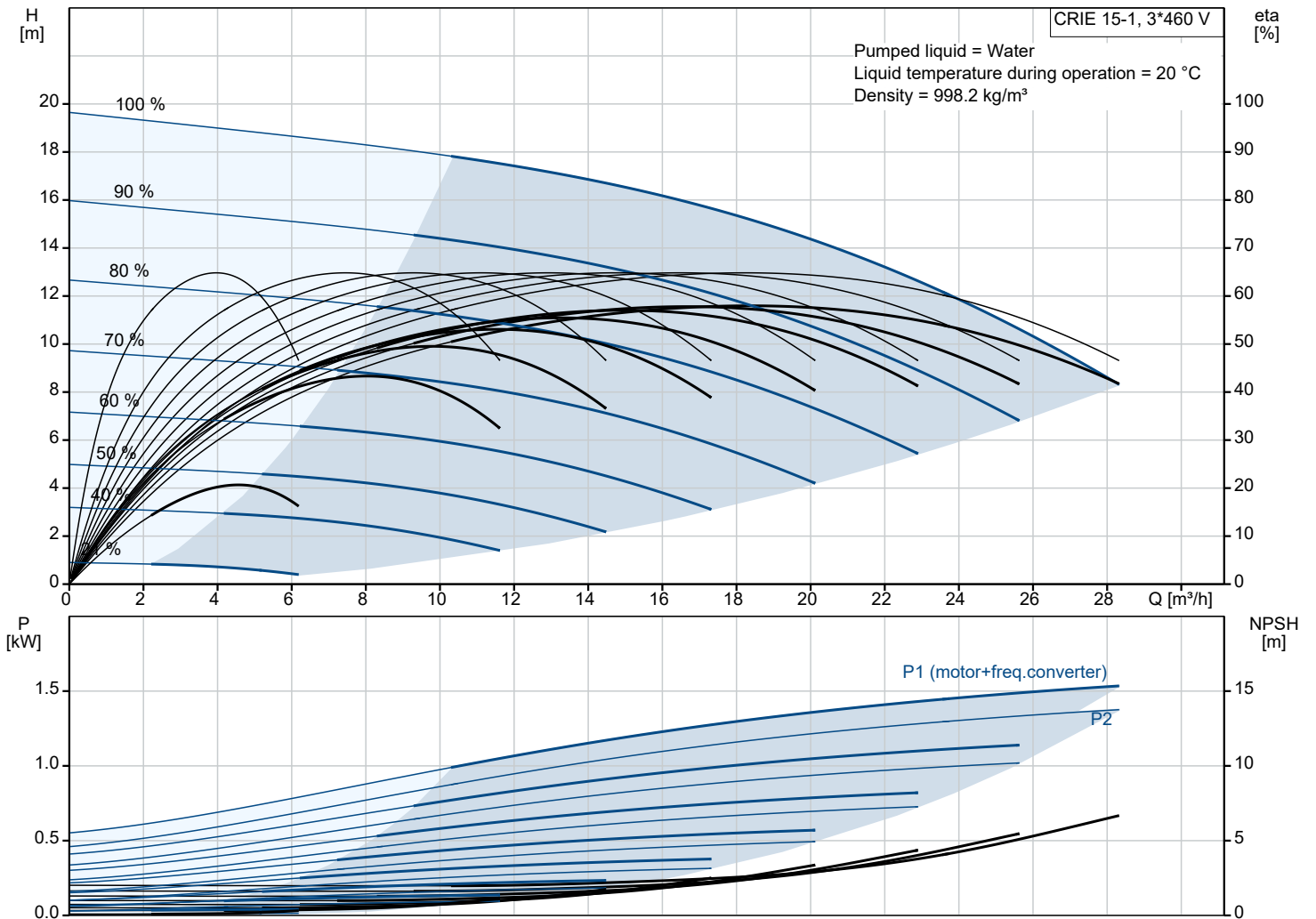


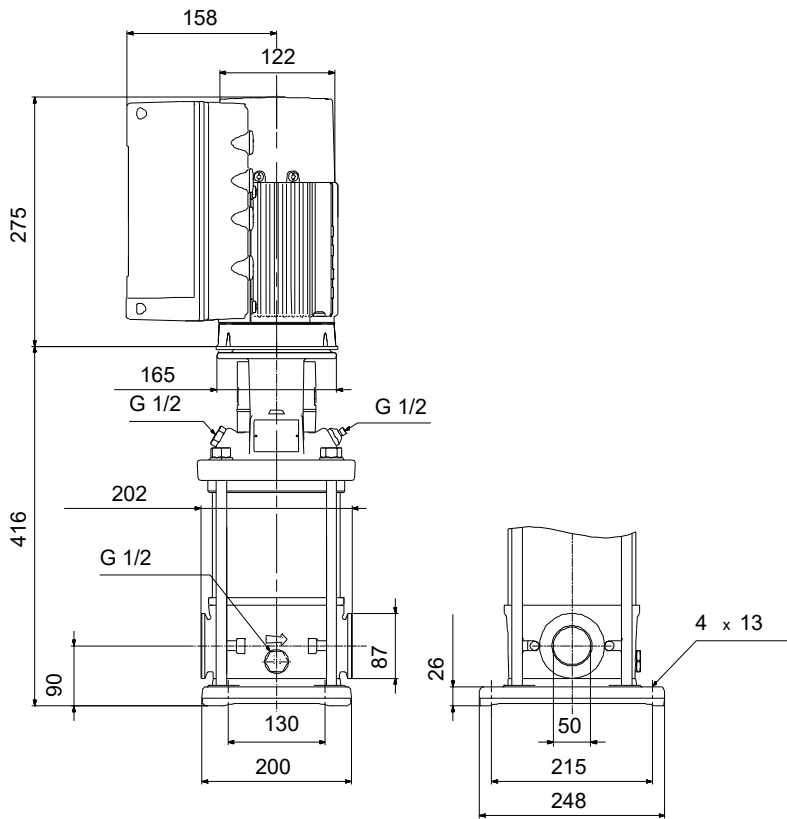
## CRIE 15-1 N-CA-A-E-HQQE

Vertical, multistage centrifugal pump with integrated frequency converter.  
Pump materials in contact with the liquid are in stainless steel (EN 1.4301)

Note! Product picture may differ from actual product


Conditions of Service		Pump Data		Motor Data	
Liquid:	Water	Max pressure at stated temp:	16 bar / 120 °C	Rated power - P2:	1.5 kW
Temperature:	20 °C	Liquid temperature range:	-20 .. 120 °C	Rated voltage:	440-480 V
Specific Gravity:	1.000	Maximum ambient temperature:	50 °C	Mains frequency:	60 Hz
		Shaft seal:	HQQE	Enclosure class:	IP55
		Product number:	99341024	Insulation class:	F
				Motor protection:	ELEC
				Motor type:	90C
				Eta 1/1:	89.4 %





**Materials:**

- Base: Stainless steel
- Base: EN 1.4408
- Base: AISI 316
- Impeller: Stainless steel
- Impeller: AISI 304
- Impeller: EN 1.4301
- Material code: A
- Code for rubber: E

Qty.	Description
1	<p data-bbox="124 85 437 114"><b>CRIE 15-1 N-CA-A-E-HQQE</b></p>  <p data-bbox="517 434 991 456"><b>Note! Product picture may differ from actual product</b></p> <p data-bbox="124 465 389 488">Product No.: <a href="#">99341024</a></p> <p data-bbox="124 524 1513 600">Vertical, multistage centrifugal pump with inlet and outlet ports on same the level (inline). Pump materials in contact with the liquid are in stainless steel. A cartridge shaft seal ensures high reliability, safe handling, and easy access and service. Power transmission is via a rigid split coupling. Pipe connection is via FlexiClamps.</p> <p data-bbox="124 609 1050 631">The pump is fitted with a 3-phase, fan-cooled, permanent-magnet, synchronous motor.</p> <p data-bbox="124 640 938 663">The motor efficiency is classified as IE5 in accordance with IEC 60034-30-2.</p> <p data-bbox="124 667 1519 721">The motor includes a frequency converter and PI controller in the motor terminal box. This enables continuously variable control of the motor speed, which again enables adaptation of the performance to a given requirement.</p> <p data-bbox="124 725 1471 748">The operating panel on the motor terminal box features a four-inch TFT display, push-buttons and the Grundfos Eye indicator.</p> <p data-bbox="124 784 890 806">The display gives an intuitive and user-friendly interface to all functions.</p> <p data-bbox="124 815 1461 869">The push-buttons are used to navigate through the menu structure to access pump and performance data on site and enable setting of required setpoint as well as setting of pump to "Min." or "Max." operation or to "Stop".</p> <p data-bbox="124 931 1519 1008">Communication with the pump is also possible by means of Grundfos GO Remote (accessory). The remote control enables further settings as well as reading out of a number of parameters such as "Actual value", "Speed", "Power input" and total "Power consumption".</p> <p data-bbox="124 1048 1114 1070">The Grundfos Eye indicator on the operating panel provides visual indication of pump status:</p> <ul data-bbox="162 1079 1433 1169" style="list-style-type: none"> <li>• "Power on": Motor is running (rotating green indicator lights) or not running (permanently green indicator lights)</li> <li>• "Warning": Motor is still running (rotating yellow indicator lights) or has stopped (permanently yellow indicator lights)</li> <li>• "Alarm": Motor has stopped (flashing red indicator lights).</li> </ul> <p data-bbox="124 1169 1503 1223">The terminal box has a number of inputs and outputs enabling the motor to be used in advanced applications where many inputs and outputs are required:</p> <ul data-bbox="162 1227 1503 1608" style="list-style-type: none"> <li>• two dedicated digital inputs</li> <li>• three analog inputs, 0(4)-20 mA, 0-5 V, 0-10 V, 0.5 - 3.5 V; the factory-fitted pressure sensor is connected to one of these inputs</li> <li>• 5 V voltage supply to potentiometer and sensor</li> <li>• one analog output, 0-10 V, 0(4)-20 mA</li> <li>• two configurable digital inputs or open-collector outputs</li> <li>• two Pt100/Pt1000 inputs</li> <li>• LiqTec, dry-running protection sensor input</li> <li>• Grundfos Digital Sensor input and output</li> <li>• 24 V voltage supply for sensors</li> <li>• two signal-relay outputs (potential-free contacts)</li> <li>• GENIbus connection</li> <li>• interface for Grundfos CIM fieldbus module.</li> </ul> <p data-bbox="124 1639 197 1662">Liquid:</p> <p data-bbox="124 1671 625 1693">Pumped liquid: Water</p> <p data-bbox="124 1697 625 1720">Liquid temperature range: -20 .. 120 °C</p> <p data-bbox="124 1724 552 1747">Selected liquid temperature: 20 °C</p> <p data-bbox="124 1751 619 1774">Density: 998.2 kg/m<sup>3</sup></p> <p data-bbox="124 1818 236 1841">Technical:</p> <p data-bbox="124 1850 743 1872">Pump speed on which pump data are based: 3452 rpm</p> <p data-bbox="124 1877 571 1899">Rated flow: 18 m<sup>3</sup>/h</p> <p data-bbox="124 1904 564 1926">Rated head: 15.4 m</p> <p data-bbox="124 1930 596 1953">Actual impeller diameter: 104.9 mm</p> <p data-bbox="124 1957 571 1980">Pump orientation: Vertical</p> <p data-bbox="124 1984 545 2007">Shaft seal arrangement: Single</p> <p data-bbox="124 2011 561 2033">Code for shaft seal: HQQE</p> <p data-bbox="124 2038 577 2060">Approvals: CURUS</p> <p data-bbox="124 2065 635 2087">Approvals for drinking water: NSF/ANSI 61</p> <p data-bbox="124 2092 683 2114">Curve tolerance: ISO9906:2012 3B</p>



# 99341024 CRIE 15-1 N-CA-A-E-HQQE 60 Hz



Note! All units are in [mm] unless others are stated.