

|                       |                        |                 |
|-----------------------|------------------------|-----------------|
| PROJECT: _____        | UNIT TAG: _____        | QUANTITY: _____ |
| REPRESENTATIVE: _____ | TYPE OF SERVICE: _____ | DATE: _____     |
| ENGINEER: _____       | SUBMITTED BY: _____    | DATE: _____     |
| CONTRACTOR: _____     | APPROVED BY: _____     | DATE: _____     |
|                       | ORDER NO.: _____       | DATE: _____     |

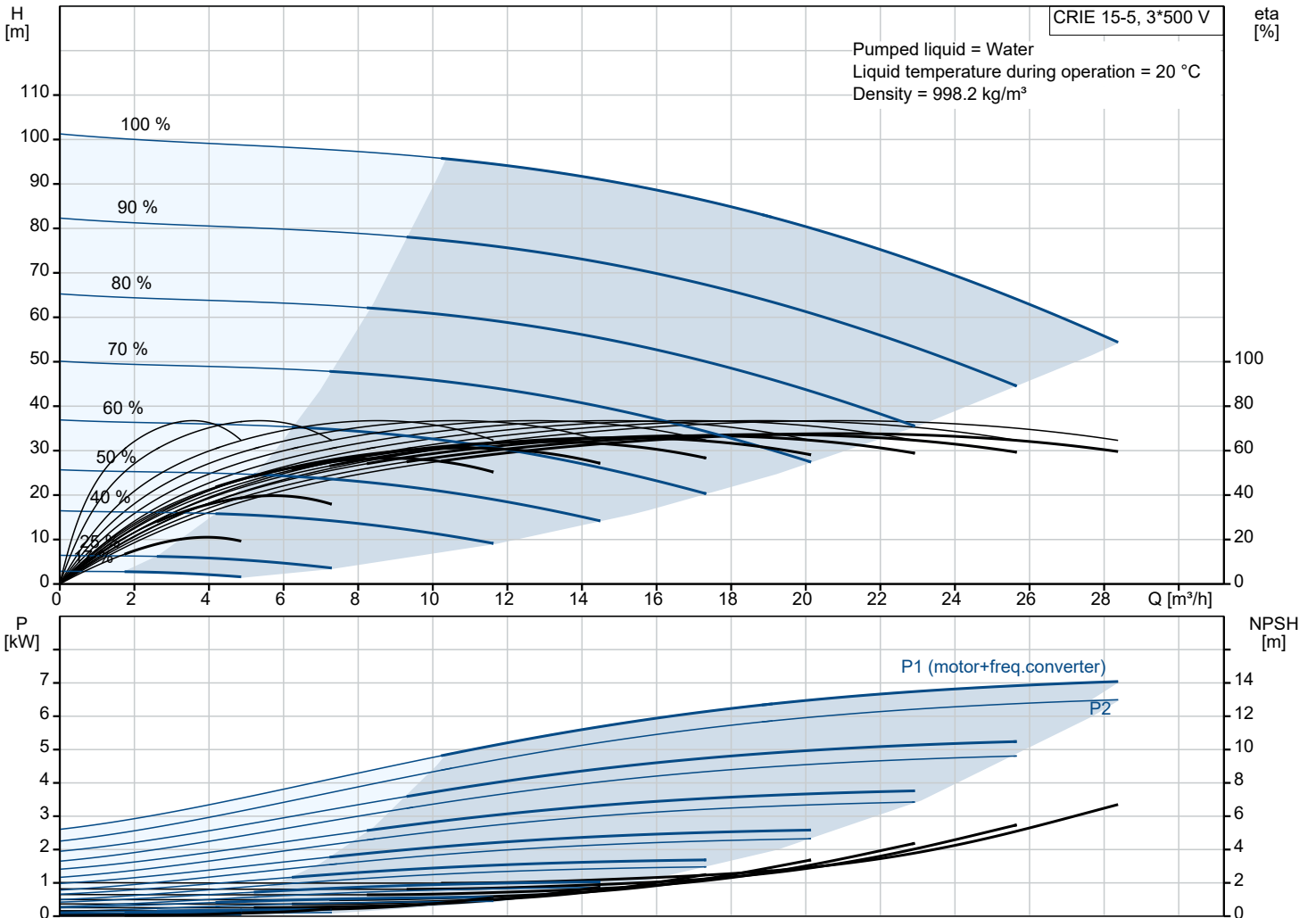


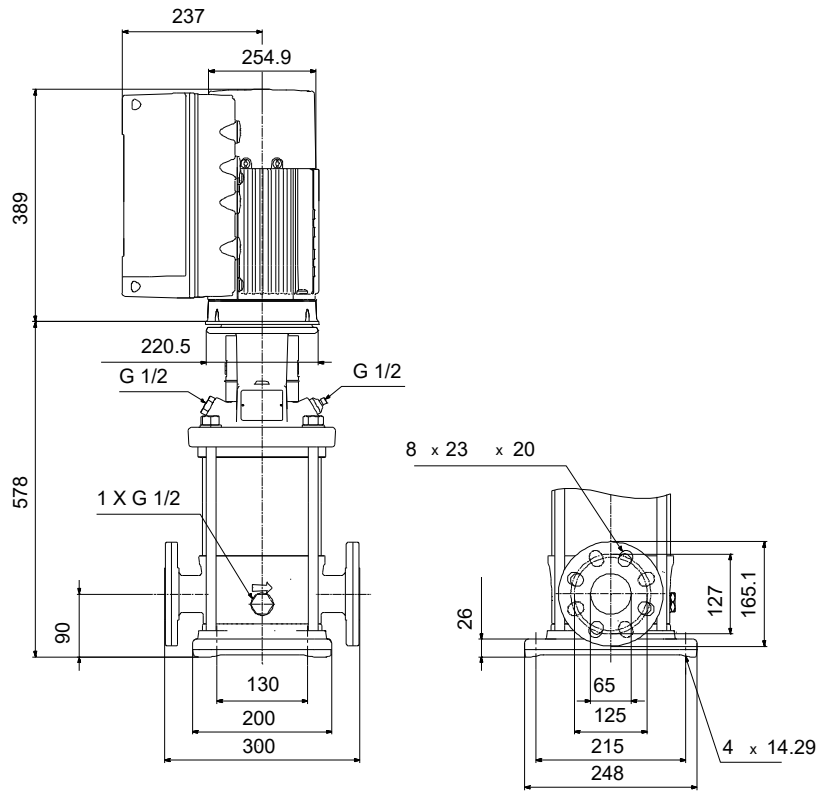
## CRIE 15-5 N-FGJ-A-E-HQQE

Vertical, multistage centrifugal pump with integrated frequency converter.  
Pump materials in contact with the liquid are in stainless steel (EN 1.4301)

Note! Product picture may differ from actual product


| Conditions of Service |       | Pump Data                    |                 | Motor Data        |           |
|-----------------------|-------|------------------------------|-----------------|-------------------|-----------|
| Liquid:               | Water | Max pressure at stated temp: | 16 bar / 120 °C | Rated power - P2: | 7.5 kW    |
| Temperature:          | 20 °C | Liquid temperature range:    | -20 .. 120 °C   | Rated voltage:    | 440-480 V |
| Specific Gravity:     | 1.000 | Maximum ambient temperature: | 50 °C           | Mains frequency:  | 60 Hz     |
|                       |       | Shaft seal:                  | HQQE            | Enclosure class:  | IP55      |
|                       |       | Product number:              | 99076242        | Insulation class: | F         |
|                       |       |                              |                 | Motor protection: | ELEC      |
|                       |       |                              |                 | Motor type:       | 132F      |
|                       |       |                              |                 | Eta 1/1:          | 92.5 %    |





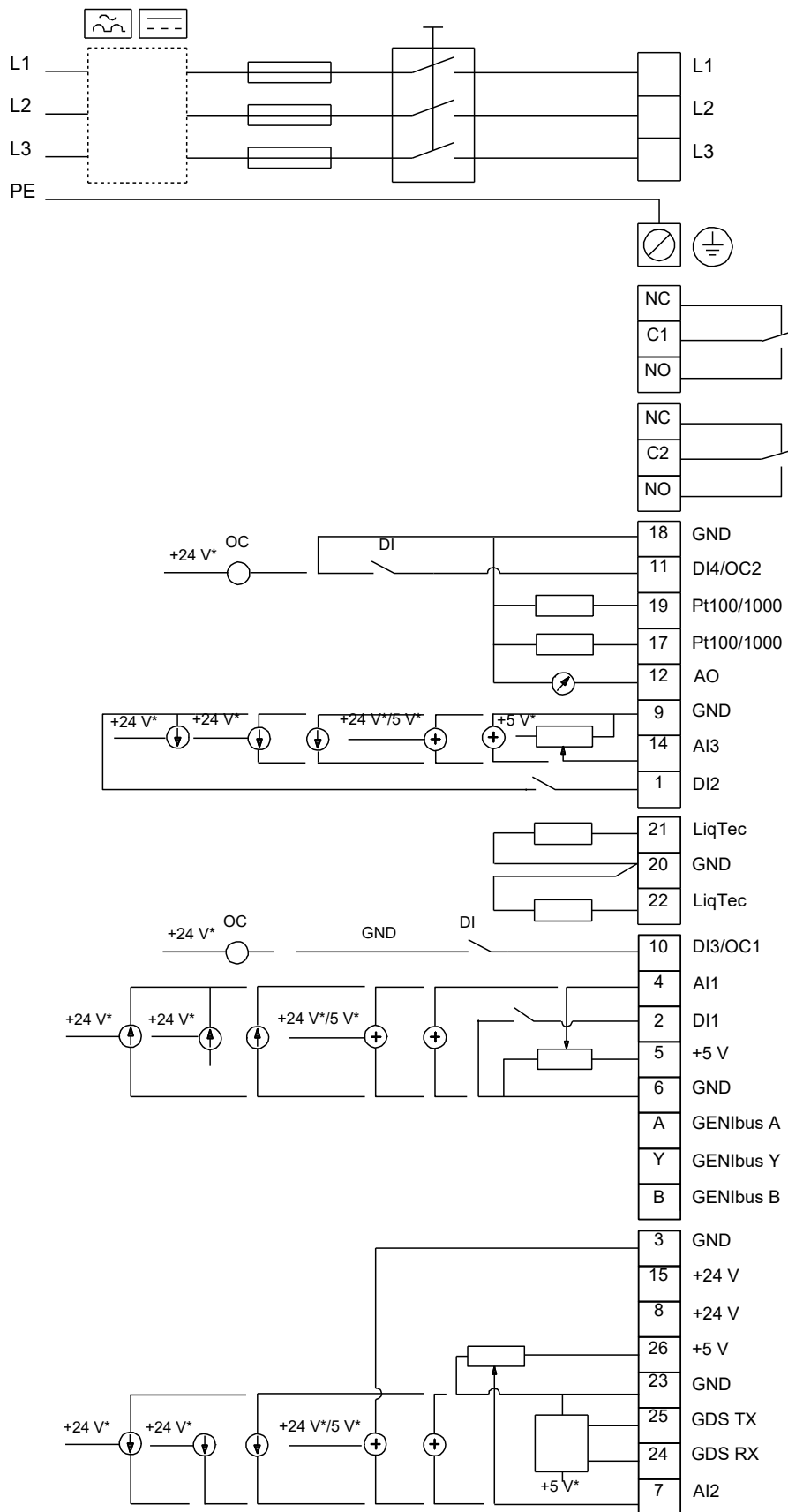
**Materials:**

- Base: Stainless steel
- Base: EN 1.4408
- Base: AISI 316
- Impeller: Stainless steel
- Impeller: AISI 304
- Impeller: EN 1.4301
- Material code: A
- Code for rubber: E

| Qty. | Description  |
|------|--|
| 1    | <p data-bbox="124 85 448 114"><b>CRIE 15-5 N-FGJ-A-E-HQQE</b></p>  <p data-bbox="517 434 987 456"><b>Note! Product picture may differ from actual product</b></p> <p data-bbox="124 463 389 488">Product No.: <a href="#">99076242</a></p> <p data-bbox="124 524 1509 600">Vertical, multistage centrifugal pump with inlet and outlet ports on same the level (inline). Pump materials in contact with the liquid are in stainless steel. A cartridge shaft seal ensures high reliability, safe handling, and easy access and service. Power transmission is via a rigid split coupling. Pipe connection is via combined DIN-ANSI-JIS flanges.</p> <p data-bbox="124 611 1050 636">The pump is fitted with a 3-phase, fan-cooled, permanent-magnet, synchronous motor.</p> <p data-bbox="124 640 940 665">The motor efficiency is classified as IE5 in accordance with IEC 60034-30-2.</p> <p data-bbox="124 669 1517 719">The motor includes a frequency converter and PI controller in the motor terminal box. This enables continuously variable control of the motor speed, which again enables adaptation of the performance to a given requirement.</p> <p data-bbox="124 725 1469 750">The operating panel on the motor terminal box features a four-inch TFT display, push-buttons and the Grundfos Eye indicator.</p> <p data-bbox="124 786 890 810">The display gives an intuitive and user-friendly interface to all functions.</p> <p data-bbox="124 815 1461 864">The push-buttons are used to navigate through the menu structure to access pump and performance data on site and enable setting of required setpoint as well as setting of pump to "Min." or "Max." operation or to "Stop".</p> <p data-bbox="124 934 1517 1005">Communication with the pump is also possible by means of Grundfos GO Remote (accessory). The remote control enables further settings as well as reading out of a number of parameters such as "Actual value", "Speed", "Power input" and total "Power consumption".</p> <p data-bbox="124 1048 1114 1072">The Grundfos Eye indicator on the operating panel provides visual indication of pump status:</p> <ul data-bbox="164 1077 1433 1164" style="list-style-type: none"> <li>• "Power on": Motor is running (rotating green indicator lights) or not running (permanently green indicator lights)</li> <li>• "Warning": Motor is still running (rotating yellow indicator lights) or has stopped (permanently yellow indicator lights)</li> <li>• "Alarm": Motor has stopped (flashing red indicator lights).</li> </ul> <p data-bbox="124 1169 1501 1218">The terminal box has a number of inputs and outputs enabling the motor to be used in advanced applications where many inputs and outputs are required:</p> <ul data-bbox="164 1225 1501 1606" style="list-style-type: none"> <li>• two dedicated digital inputs</li> <li>• three analog inputs, 0(4)-20 mA, 0-5 V, 0-10 V, 0.5 - 3.5 V; the factory-fitted pressure sensor is connected to one of these inputs</li> <li>• 5 V voltage supply to potentiometer and sensor</li> <li>• one analog output, 0-10 V, 0(4)-20 mA</li> <li>• two configurable digital inputs or open-collector outputs</li> <li>• two Pt100/Pt1000 inputs</li> <li>• LiqTec, dry-running protection sensor input</li> <li>• Grundfos Digital Sensor input and output</li> <li>• 24 V voltage supply for sensors</li> <li>• two signal-relay outputs (potential-free contacts)</li> <li>• GENIbus connection</li> <li>• interface for Grundfos CIM fieldbus module.</li> </ul> <p data-bbox="124 1639 197 1664">Liquid:</p> <p data-bbox="124 1668 557 1693">Pumped liquid: Water</p> <p data-bbox="124 1697 627 1722">Liquid temperature range: -20 .. 120 °C</p> <p data-bbox="124 1727 552 1751">Selected liquid temperature: 20 °C</p> <p data-bbox="124 1756 620 1780">Density: 998.2 kg/m<sup>3</sup></p> <p data-bbox="124 1816 237 1841">Technical:</p> <p data-bbox="124 1845 743 1870">Pump speed on which pump data are based: 3470 rpm</p> <p data-bbox="124 1874 593 1899">Rated flow: 20.5 m<sup>3</sup>/h</p> <p data-bbox="124 1904 564 1928">Rated head: 77.6 m</p> <p data-bbox="124 1933 600 1957">Actual impeller diameter: 104.9 mm</p> <p data-bbox="124 1962 571 1986">Pump orientation: Vertical</p> <p data-bbox="124 1991 544 2016">Shaft seal arrangement: Single</p> <p data-bbox="124 2020 563 2045">Code for shaft seal: HQQE</p> <p data-bbox="124 2049 576 2074">Approvals: CURUS</p> <p data-bbox="124 2078 635 2103">Approvals for drinking water: NSF/ANSI 61</p> <p data-bbox="124 2107 683 2132">Curve tolerance: ISO9906:2012 3B</p> |



# 99076242 CRIE 15-5 N-FGJ-A-E-HQQE 60 Hz



Note! All units are in [mm] unless others are stated.