

|                       |                        |                 |
|-----------------------|------------------------|-----------------|
| PROJECT: _____        | UNIT TAG: _____        | QUANTITY: _____ |
| REPRESENTATIVE: _____ | TYPE OF SERVICE: _____ | DATE: _____     |
| ENGINEER: _____       | SUBMITTED BY: _____    | DATE: _____     |
| CONTRACTOR: _____     | APPROVED BY: _____     | DATE: _____     |
|                       | ORDER NO.: _____       | DATE: _____     |

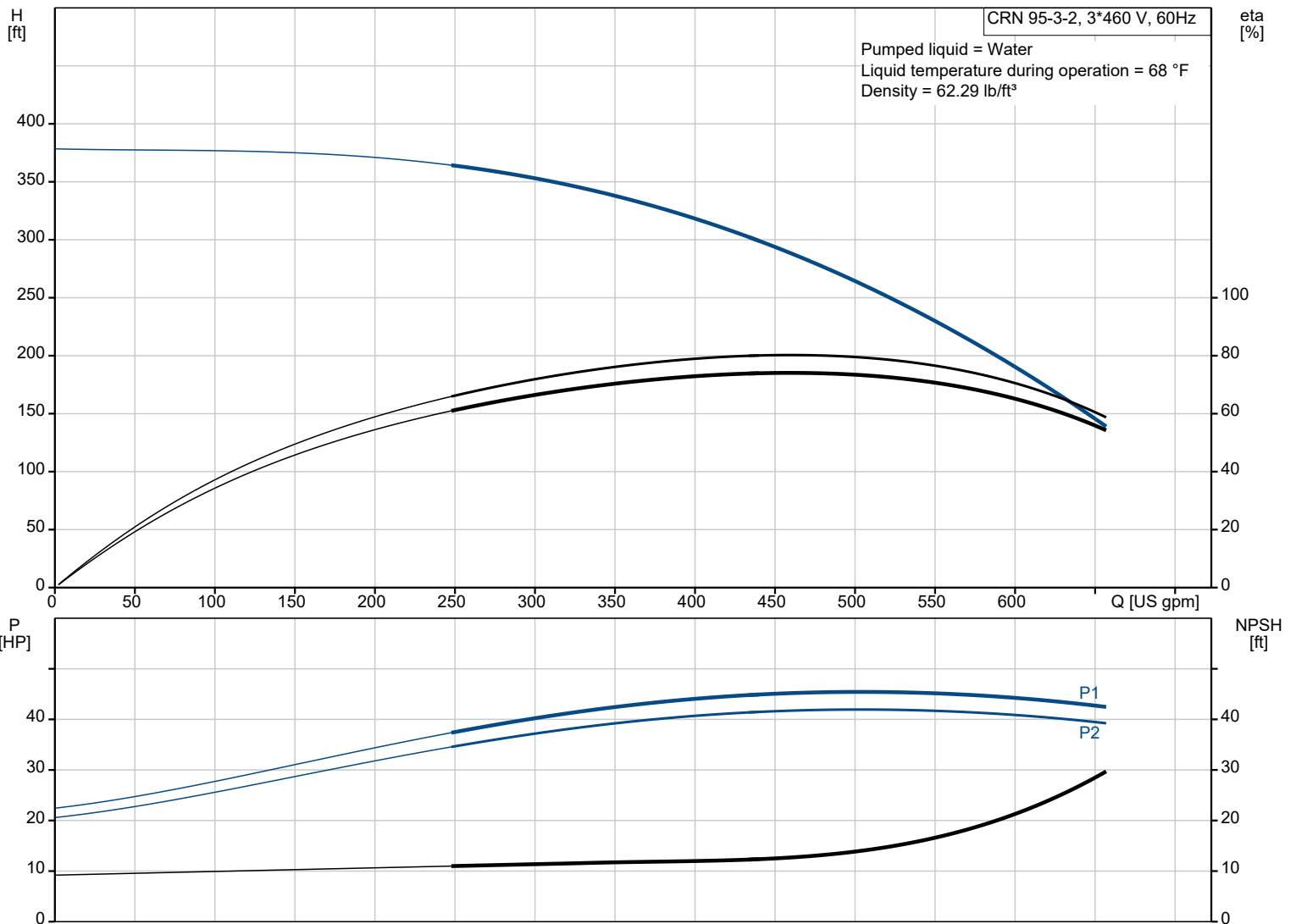


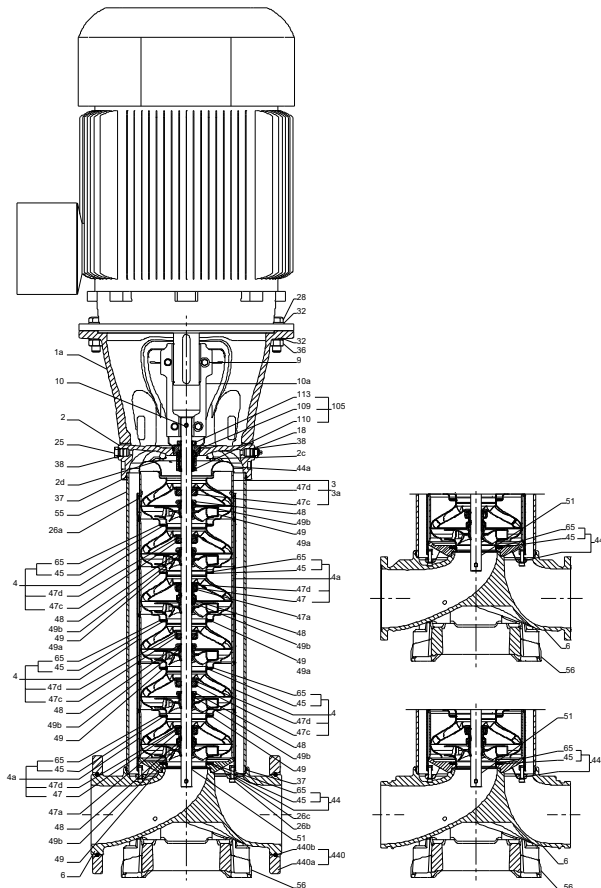
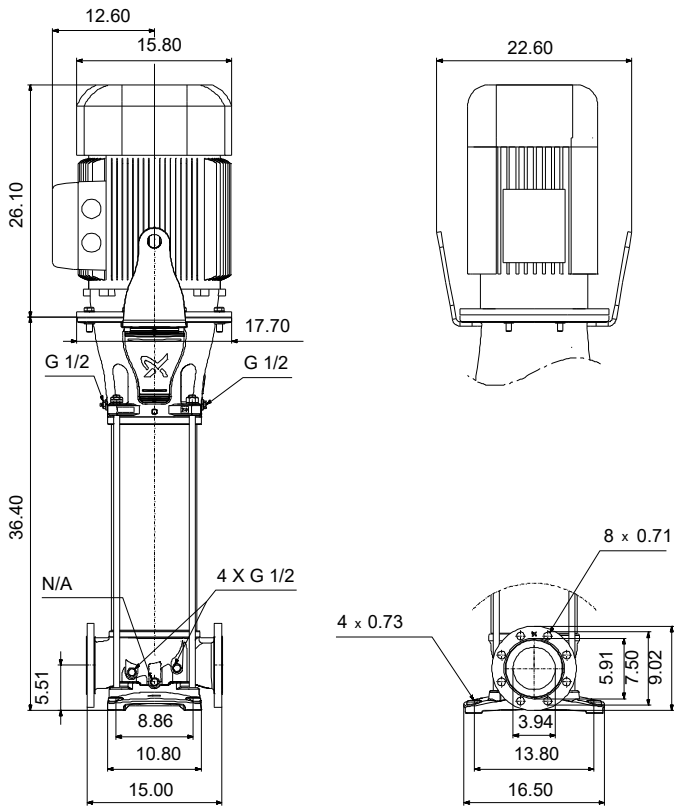
## CRN 95-3-2 A-G-A-E-HQQE

Vertical, multistage centrifugal pump with suction and discharge ports on the same level. Pump materials in contact with the liquid are in high-grade stainless steel (EN 1.4401)

Product photo could vary from the actual product

| Conditions of Service |       | Pump Data                    |               | Motor Data        |               |
|-----------------------|-------|------------------------------|---------------|-------------------|---------------|
| Liquid:               | Water | Liquid temperature range:    | -40 .. 248 °F | Rated power - P2: | 40 HP         |
| Temperature:          | 68 °F | Maximum ambient temperature: | 104 °F        | Rated voltage:    | 208-230/460 V |
| Specific Gravity:     | 1.000 | Shaft seal:                  | HQQE          | Main frequency:   | 60 Hz         |
|                       |       | Product number:              | 99918455      | Enclosure class:  | IP55          |
|                       |       |                              |               | Insulation class: | F             |
|                       |       |                              |               | Motor protection: | NONE          |
|                       |       |                              |               | Motor type:       | WEG           |
|                       |       |                              |               | Eff. 1/1:         | 92.4 %        |

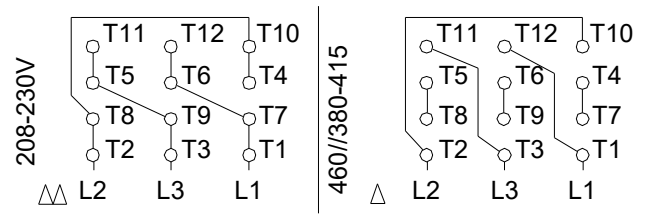
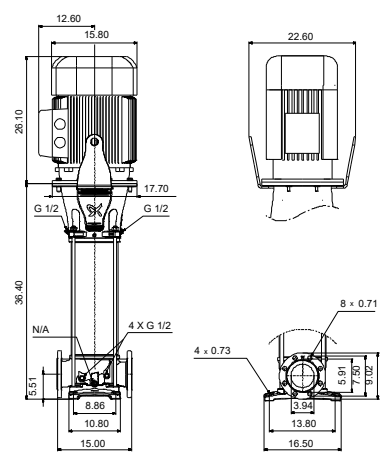
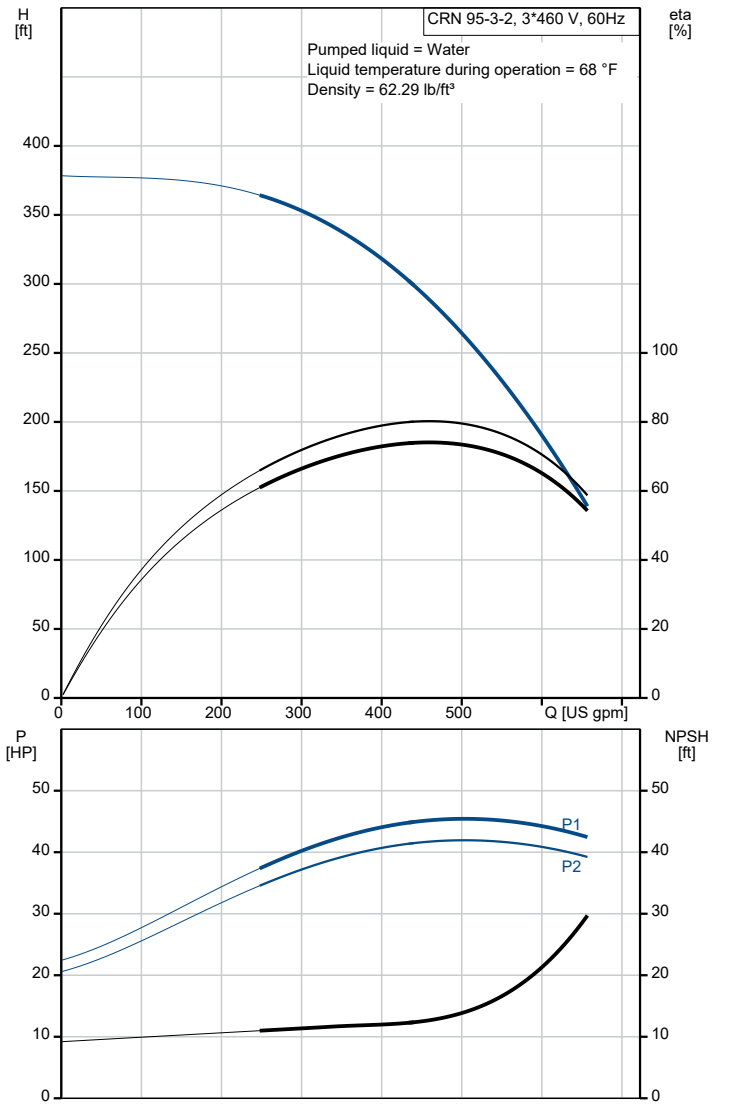




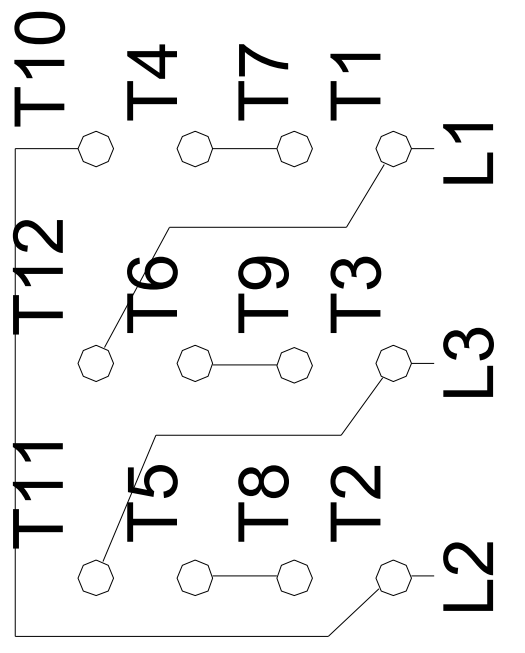
**Materials:**

- Base: Stainless steel
- Base: EN 1.4408
- Base: ASTM A351 CF8M
- Impeller: Stainless steel
- Impeller: AISI 316
- Impeller: EN 1.4401
- Material code: A
- Code for rubber: E

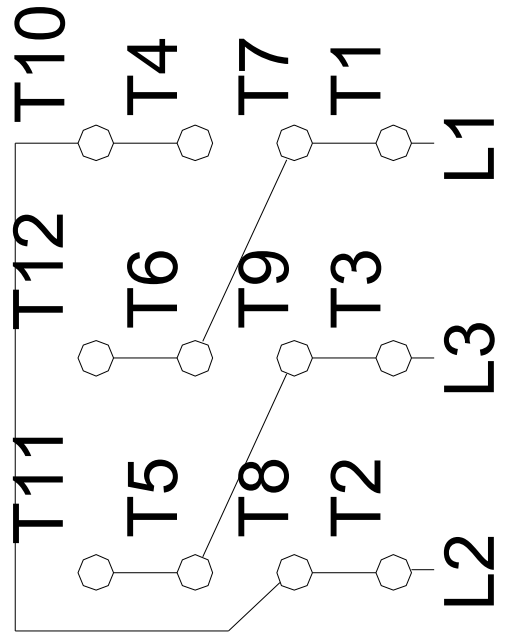
| Description                           | Value                     |
|---------------------------------------|---------------------------|
| <b>General information:</b>           |                           |
| Product name:                         | CRN 95-3-2 A-G-A-E-HQQE   |
| Product No.:                          | 99918455                  |
| EAN:                                  | 5715114133296             |
| <b>Technical:</b>                     |                           |
| Rated pump speed:                     | 3538 rpm                  |
| Rated flow:                           | 500 US gpm                |
| Rated head:                           | 260.8 ft                  |
| Maximum head:                         | 376 ft                    |
| Actual impeller diameter:             | 6.07 in                   |
| Stages:                               | 3                         |
| Impellers:                            | 3                         |
| Number of reduced-diameter impellers: | 2                         |
| Low NPSH:                             | N                         |
| Pump orientation:                     | Vertical                  |
| Shaft seal arrangement:               | Single                    |
| Code for shaft seal:                  | HQQE                      |
| Approvals for drinking water:         | NSF/ANSI 61, NSF/ANSI 372 |
| Curve tolerance:                      | ISO9906:2012 3B           |
| Pump version:                         | A                         |
| Model:                                | A                         |
| Cooling:                              | IC 411                    |
| <b>Materials:</b>                     |                           |
| Base:                                 | Stainless steel           |
| Base:                                 | EN 1.4408                 |
| Base:                                 | ASTM A351 CF8M            |
| Impeller:                             | Stainless steel           |
| Impeller:                             | EN 1.4401                 |
| Impeller:                             | AISI 316                  |
| Material code:                        | A                         |
| Code for rubber:                      | E                         |
| Bearing:                              | WC/WC                     |
| Material certified according to:      | European standards        |
| <b>Installation:</b>                  |                           |
| t max amb:                            | 104 °F                    |
| Maximum operating pressure:           | 232.06 psi                |
| Max pressure at stated temperature:   | 232 psi / 250 °F          |
| Type of connection:                   | ANSI                      |
| Size of suction port:                 | 4 inch                    |
| Size of outlet port:                  | 4 inch                    |
| Pressure rating for connection:       | 150 lb                    |
| Flange size for motor:                | 324TSC                    |
| Connect code:                         | G                         |
| <b>Liquid:</b>                        |                           |
| Pumped liquid:                        | Water                     |
| Liquid temperature range:             | -40 .. 248 °F             |
| Selected liquid temperature:          | 68 °F                     |
| Density:                              | 62.29 lb/ft³              |
| <b>Electrical data:</b>               |                           |
| Motor standard:                       | NEMA                      |
| Motor type:                           | WEG                       |
| IE Efficiency class:                  | IE3 / NEMA Premium        |
| Rated power - P2:                     | 40 HP                     |
| Power (P2) required by pump:          | 40 HP                     |
| Main frequency:                       | 60 Hz                     |
| Rated voltage:                        | 3 x 208-230/460 V         |
| Service factor:                       | 1.25                      |
| Rated current:                        | 101-92,6/46,3 A           |
| Starting current:                     | 630-630 %                 |
| Full load SF current:                 | 116/57.9 A                |
| Cos phi - power factor:               | 0.88                      |
| Rated speed:                          | 3560 rpm                  |
| IE efficiency:                        | IE3 92,4%                 |
| Motor efficiency at full load:        | 92.4 %                    |
| Motor efficiency at 3/4 load:         | 92.4 %                    |
| Motor efficiency at 1/2 load:         | 91.7 %                    |
| Number of poles:                      | 2                         |
| Enclosure class (IEC 34-5):           | IP55                      |
| Insulation class (IEC 85):            | F                         |
| Built-in motor protection:            | NONE                      |
| Motor Number:                         | 99883251                  |



| Description               | Value                |
|---------------------------|----------------------|
| <b>Controls:</b>          |                      |
| Frequency converter:      | NONE                 |
| <b>Others:</b>            |                      |
| DOE Pump Energy Index CL: | 0.93                 |
| Net weight:               | 825 lb               |
| Gross weight:             | 1080 lb              |
| Shipping volume:          | 50.8 ft <sup>3</sup> |
| Thrust handling device:   | N                    |



460//380-415



208-230V