

|                       |                  |             |
|-----------------------|------------------|-------------|
| PROJECT:              | UNIT TAG:        | QUANTITY:   |
| REPRESENTATIVE: _____ | TYPE OF SERVICE: | DATE: _____ |
| ENGINEER:             | SUBMITTED BY:    | DATE:       |
| CONTRACTOR:           | APPROVED BY:     | DATE:       |
|                       | ORDER NO.:       | DATE:       |

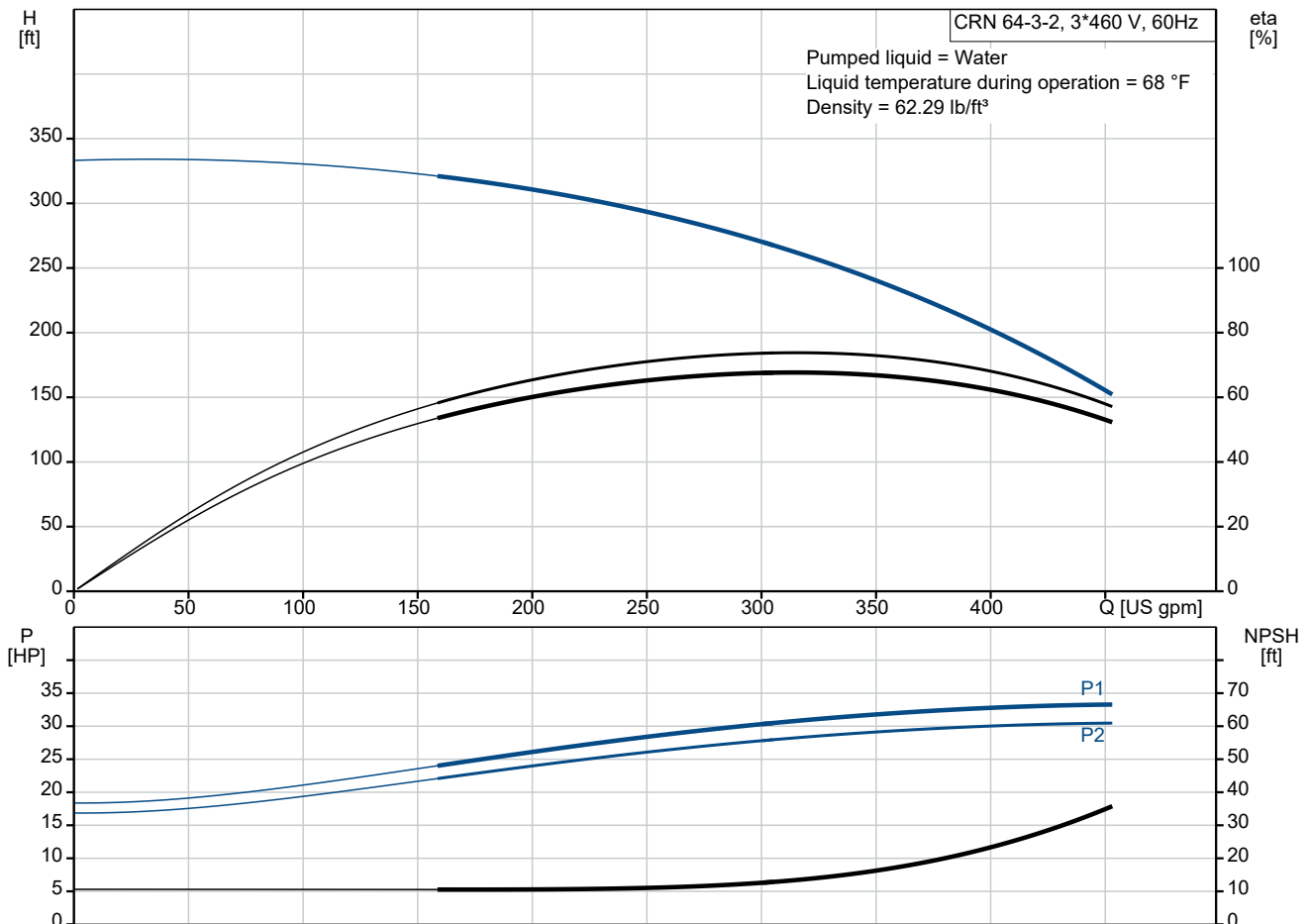


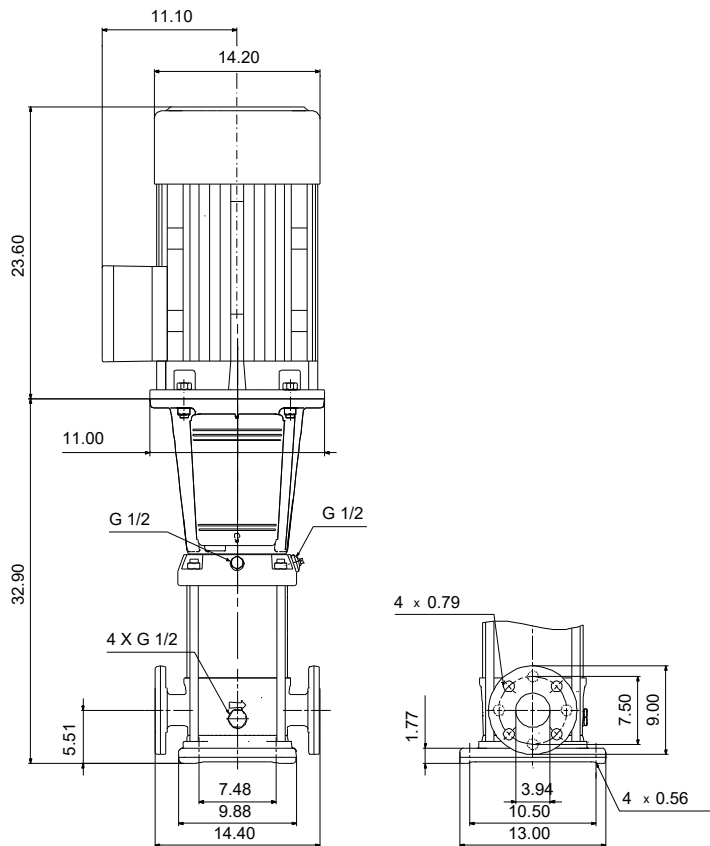
### CRN 64-3-2 A-G-A-V-HQQV

Vertical, multistage centrifugal pump with suction and discharge ports on same the level. Pump materials in contact with the liquid are in high-grade stainless steel (EN 1.4401) (AISI 316)

Product photo could vary from the actual product

| Conditions of Service   | Pump Data  | Motor Data                   |
|-------------------------|--|------------------------------|
| Efficiency: _____       | Max pressure at stated temperature: 232 psi / 194 °F | Rated power - P2: 30 HP      |
| Liquid: Water           | Liquid temperature range: -4 .. 194 °F               | Rated voltage: 208-230/460 V |
| Temperature: 68 °F      | Maximum ambient temperature: 104 °F                  | Main frequency: 60 Hz        |
| NPSH required: ft       | Shaft seal: HQQV                                     | Enclosure class: IP55        |
| Specific Gravity: 1.000 | Product number: 99918349                             | Insulation class: F          |
|                         |  | Motor protection: NONE       |
|                         |  | Motor type: WEG              |
|                         |  | Eff. 1/1: 91.7 %             |

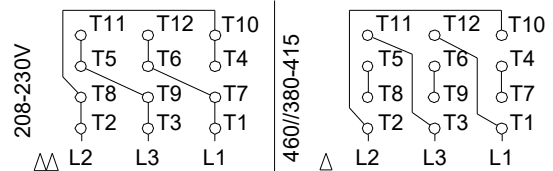
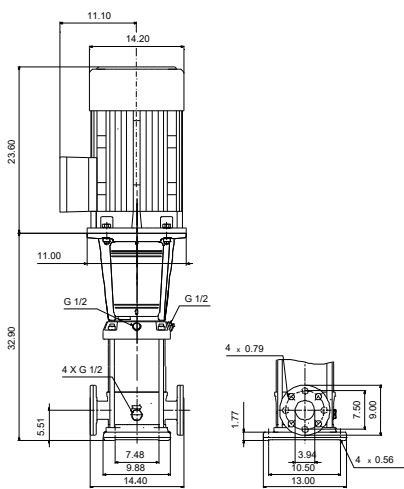
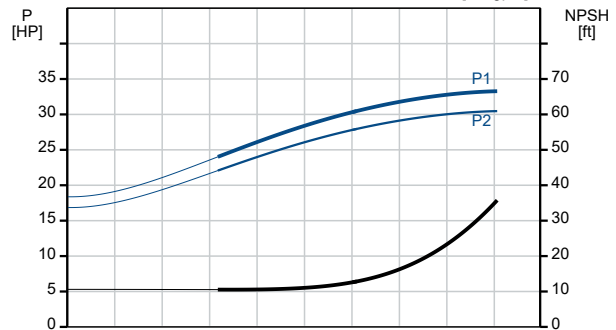
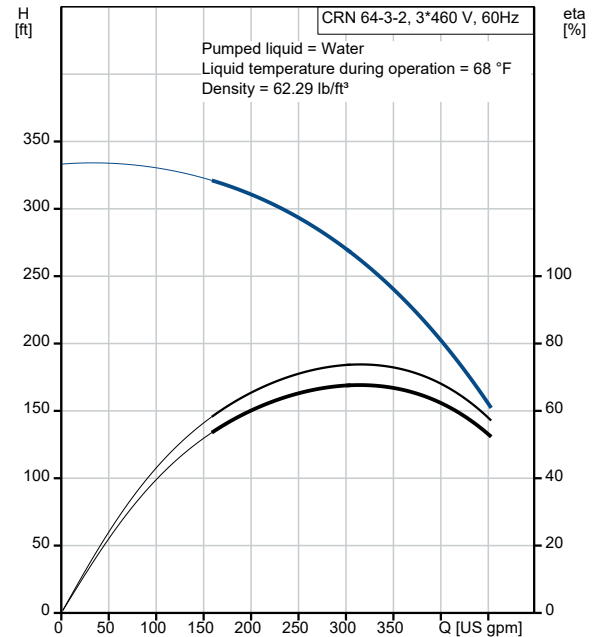




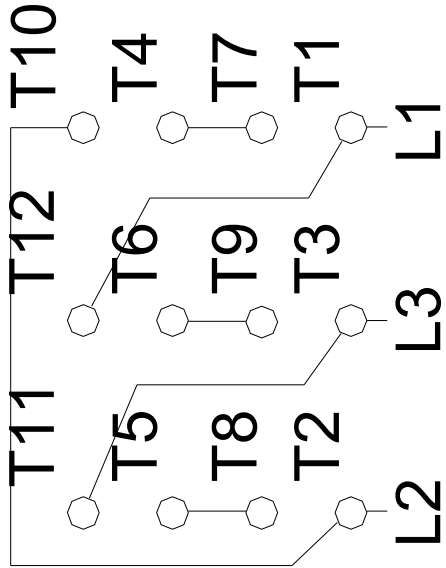
**Materials:**

Base: Stainless steel  
 Base: EN 1.4408  
 Base: AISI 316  
 Impeller: Stainless steel  
 Impeller: AISI 316  
 Impeller: EN 1.4401  
 Material code: A  
 Code for rubber: V

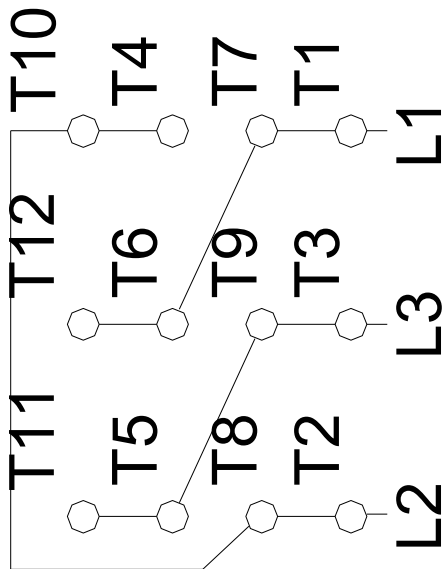
| Description                           | Value                    |
|---------------------------------------|--------------------------|
| <b>General information:</b>           |                          |
| Product name:                         | CRN 64-3-2 A-G-A-V-HQQV  |
| Product No.:                          | 99918349                 |
| EAN:                                  | 5715114132169            |
| <b>Technical:</b>                     |                          |
| Rated pump speed:                     | 3541 rpm                 |
| Rated flow:                           | 339 US gpm               |
| Rated head:                           | 249.4 ft                 |
| Maximum head:                         | 331.7 ft                 |
| Actual impeller diameter:             | 5.59 in                  |
| Stages:                               | 3                        |
| Impellers:                            | 3                        |
| Number of reduced-diameter impellers: | 2                        |
| Low NPSH:                             | N                        |
| Pump orientation:                     | Vertical                 |
| Shaft seal arrangement:               | Single                   |
| Code for shaft seal:                  | HQQV                     |
| Approvals:                            | CURUS                    |
| Curve tolerance:                      | ISO9906:2012 3B          |
| Pump version:                         | A                        |
| Model:                                | B                        |
| Cooling:                              | IC 411                   |
| <b>Materials:</b>                     |                          |
| Base:                                 | Stainless steel          |
| Base:                                 | EN 1.4408                |
| Base:                                 | AISI 316                 |
| Impeller:                             | Stainless steel          |
| Impeller:                             | EN 1.4401                |
| Impeller:                             | AISI 316                 |
| Material code:                        | A                        |
| Code for rubber:                      | V                        |
| Bearing:                              | SIC                      |
| Support bearing:                      | Graflon                  |
| <b>Installation:</b>                  |                          |
| t max amb:                            | 104 °F                   |
| Maximum operating pressure:           | 232.06 psi               |
| Max pressure at stated temperature:   | 232 psi / 194 °F         |
| Max pressure at stated temperature:   | 232 psi / -4 °F          |
| Type of connection:                   | ANSI                     |
| Size of suction port:                 | 4 inch                   |
| Size of outlet port:                  | 4 inch                   |
| Pressure rating for connection:       | PN 16                    |
| Flange rating inlet:                  | 150 lb                   |
| Flange size for motor:                | 284TC                    |
| Connect code:                         | G                        |
| <b>Liquid:</b>                        |                          |
| Pumped liquid:                        | Water                    |
| Liquid temperature range:             | -4 .. 194 °F             |
| Selected liquid temperature:          | 68 °F                    |
| Density:                              | 62.29 lb/ft <sup>3</sup> |
| <b>Electrical data:</b>               |                          |
| Motor standard:                       | NEMA                     |
| Motor type:                           | WEG                      |
| IE Efficiency class:                  | IE3 / NEMA Premium       |
| Rated power - P2:                     | 30 HP                    |
| Power (P2) required by pump:          | 30 HP                    |
| Main frequency:                       | 60 Hz                    |
| Rated voltage:                        | 3 x 208-230/460 V        |
| Service factor:                       | 1.25                     |
| Rated current:                        | 73,8-67,6/33,8 A         |
| Starting current:                     | 630-630 %                |
| Full load SF current:                 | 84.5/42.3 A              |



| Description                    | Value              |
|--------------------------------|--------------------|
| Cos phi - power factor:        | 0.89               |
| Rated speed:                   | 3540 rpm           |
| IE efficiency:                 | IE3 91,7%          |
| Motor efficiency at full load: | 91.7 %             |
| Motor efficiency at 3/4 load:  | 91.7 %             |
| Motor efficiency at 1/2 load:  | 91.7 %             |
| Number of poles:               | 2                  |
| Enclosure class (IEC 34-5):    | IP55               |
| Insulation class (IEC 85):     | F                  |
| Built-in motor protection:     | NONE               |
| Motor Number:                  | 99882384           |
| <b>Controls:</b>               |                    |
| Frequency converter:           | NONE               |
| <b>Others:</b>                 |                    |
| DOE Pump Energy Index CL:      | 0.93               |
| Net weight:                    | 582 lb             |
| Gross weight:                  | 600 lb             |
| Shipping volume:               | 29 ft <sup>3</sup> |
| Country of origin:             | US                 |
| Custom tariff no.:             | 8413.70.2040       |



460//380-415



208-230V

All units are [in] unless otherwise presented.