

|                       |                  |             |
|-----------------------|------------------|-------------|
| PROJECT:              | UNIT TAG:        | QUANTITY:   |
| REPRESENTATIVE: _____ | TYPE OF SERVICE: | DATE: _____ |
| ENGINEER:             | SUBMITTED BY:    | DATE:       |
| CONTRACTOR:           | APPROVED BY:     | DATE:       |
|                       | ORDER NO.:       | DATE:       |

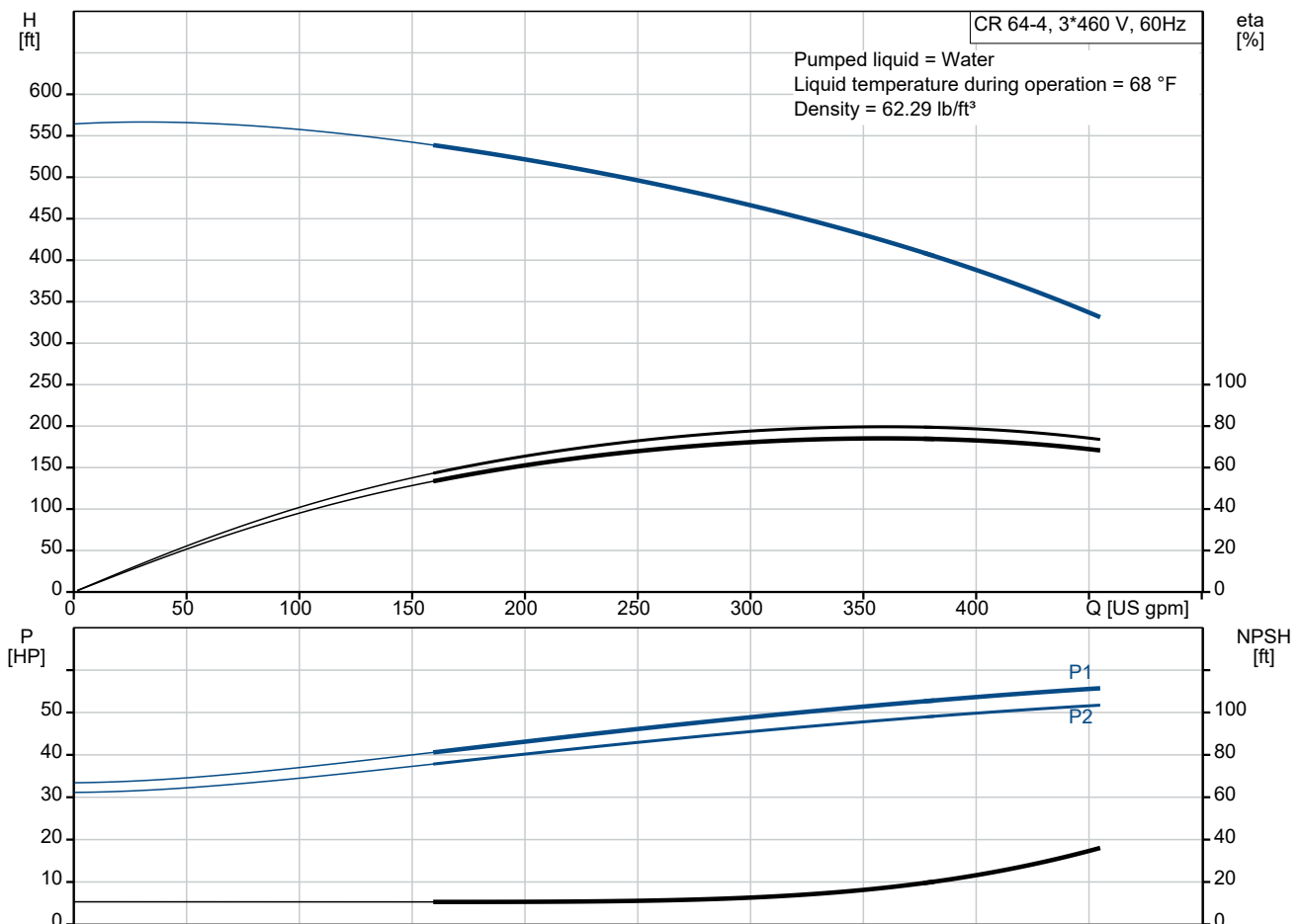


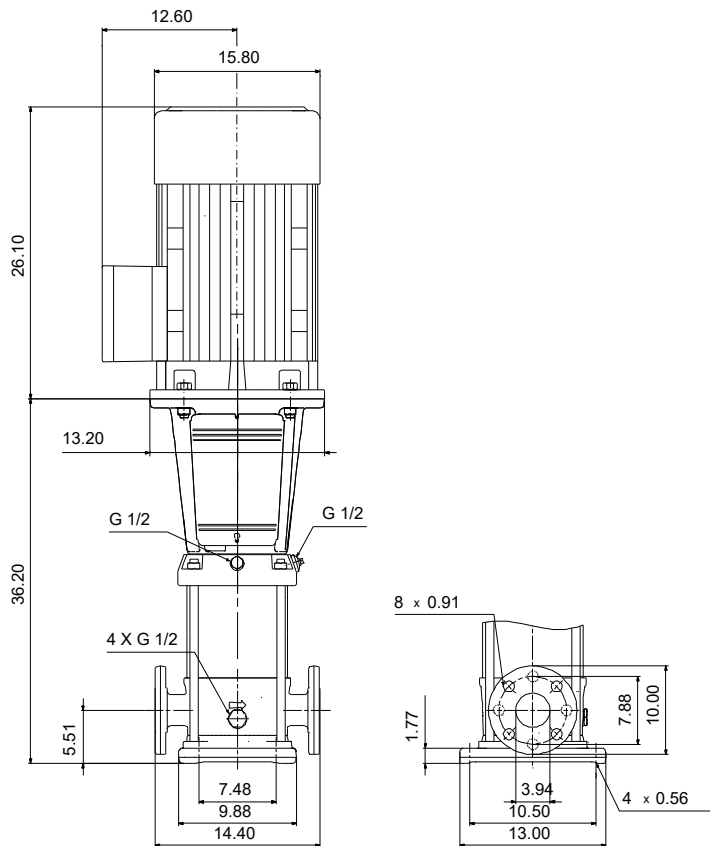
**CR 64-4 A-G-A-V-HQQV**

Vertical, multistage centrifugal pump with suction and discharge ports on the same level. The pump head and base are in cast iron. All other wetted parts are in stainless steel (EN 1.4301) (AISI 304)

Product photo could vary from the actual product

| Conditions of Service   | Pump Data  | Motor Data                   |
|-------------------------|--|------------------------------|
| Efficiency: _____       | Max pressure at stated temperature: 435 psi / 194 °F | Rated power - P2: 50 HP      |
| Liquid: Water           | Liquid temperature range: -4 .. 194 °F               | Rated voltage: 208-230/460 V |
| Temperature: 68 °F      | Maximum ambient temperature: 104 °F                  | Main frequency: 60 Hz        |
| NPSH required: ft       | Shaft seal: HQQV                                     | Enclosure class: IP55        |
| Specific Gravity: 1.000 | Product number: 99918305                             | Insulation class: F          |
|                         |  | Motor protection: NONE       |
|                         |  | Motor type: WEG              |
|                         |  | Eff. 1/1: 93 %               |

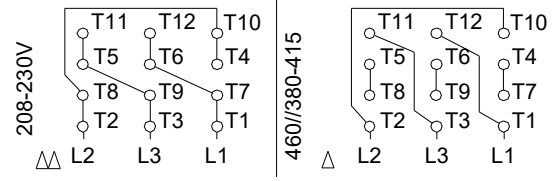
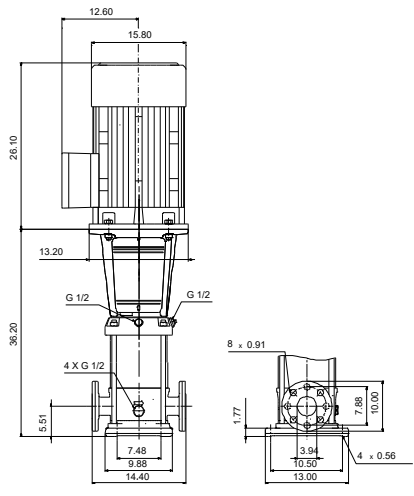
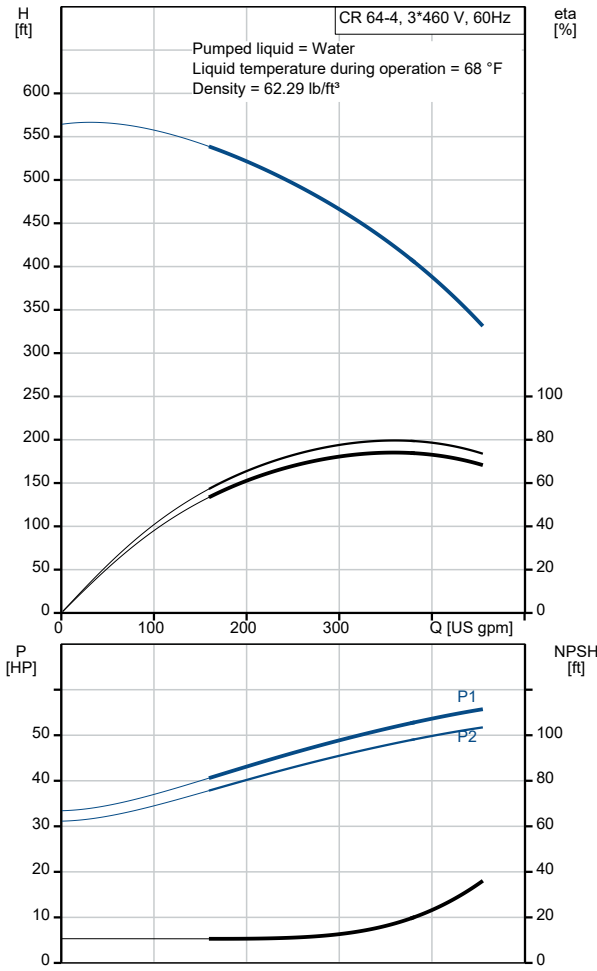




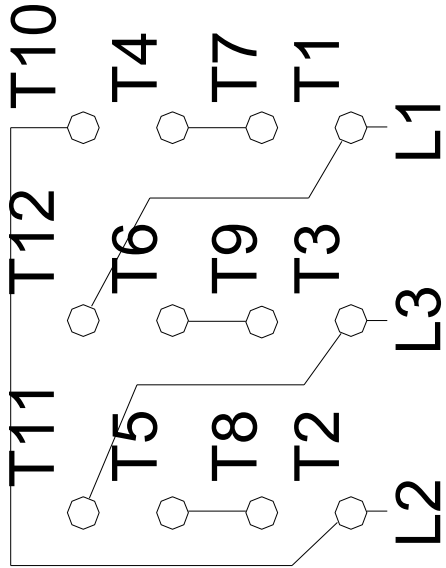
**Materials:**

Base: Cast iron  
 Base: EN 1563 EN-GJS-500-7  
 Base: ASTM A536 80-55-06  
 Impeller: Stainless steel  
 Impeller: AISI 304  
 Impeller: EN 1.4301  
 Material code: A  
 Code for rubber: V

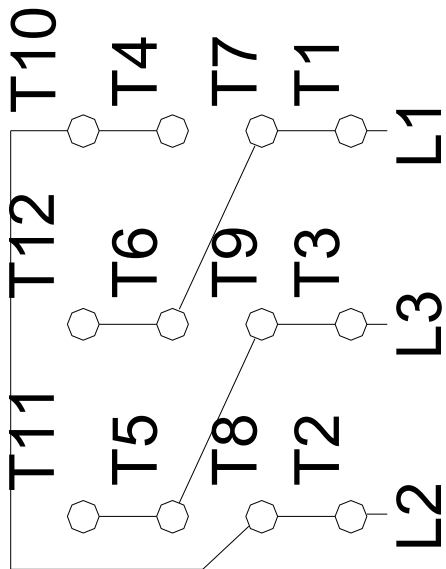
| Description                           | Value                    |
|---------------------------------------|--------------------------|
| <b>General information:</b>           |                          |
| Product name:                         | CR 64-4 A-G-A-V-HQQV     |
| Product No.:                          | 99918305                 |
| EAN:                                  | 5715114131728            |
| <b>Technical:</b>                     |                          |
| Rated pump speed:                     | 3550 rpm                 |
| Rated flow:                           | 339 US gpm               |
| Rated head:                           | 441.6 ft                 |
| Maximum head:                         | 563 ft                   |
| Actual impeller diameter:             | 5.59 in                  |
| Stages:                               | 4                        |
| Impellers:                            | 4                        |
| Number of reduced-diameter impellers: | 0                        |
| Low NPSH:                             | N                        |
| Pump orientation:                     | Vertical                 |
| Shaft seal arrangement:               | Single                   |
| Code for shaft seal:                  | HQQV                     |
| Approvals:                            | CURUS                    |
| Curve tolerance:                      | ISO9906:2012 3B          |
| Pump version:                         | A                        |
| Model:                                | B                        |
| Cooling:                              | IC 411                   |
| <b>Materials:</b>                     |                          |
| Base:                                 | Cast iron                |
| Base:                                 | EN 1563 EN-GJS-500-7     |
| Base:                                 | ASTM A536 80-55-06       |
| Impeller:                             | Stainless steel          |
| Impeller:                             | EN 1.4301                |
| Impeller:                             | AISI 304                 |
| Material code:                        | A                        |
| Code for rubber:                      | V                        |
| Bearing:                              | SIC                      |
| Support bearing:                      | Graflon                  |
| <b>Installation:</b>                  |                          |
| t max amb:                            | 104 °F                   |
| Maximum operating pressure:           | 435.11 psi               |
| Max pressure at stated temperature:   | 435 psi / 194 °F         |
| Max pressure at stated temperature:   | 435 psi / -4 °F          |
| Type of connection:                   | ANSI                     |
| Size of suction port:                 | 4 inch                   |
| Size of outlet port:                  | 4 inch                   |
| Pressure rating for connection:       | PN 40                    |
| Flange rating inlet:                  | 300 lb                   |
| Flange size for motor:                | 324TC                    |
| Connect code:                         | G                        |
| <b>Liquid:</b>                        |                          |
| Pumped liquid:                        | Water                    |
| Liquid temperature range:             | -4 .. 194 °F             |
| Selected liquid temperature:          | 68 °F                    |
| Density:                              | 62.29 lb/ft <sup>3</sup> |
| <b>Electrical data:</b>               |                          |
| Motor standard:                       | NEMA                     |
| Motor type:                           | WEG                      |
| IE Efficiency class:                  | IE3 / NEMA Premium       |
| Rated power - P2:                     | 50 HP                    |
| Power (P2) required by pump:          | 50 HP                    |
| KVA code:                             | G                        |
| Main frequency:                       | 60 Hz                    |
| Rated voltage:                        | 3 x 208-230/460 V        |
| Service factor:                       | 1.25                     |
| Rated current:                        | 124-112/56,1 A           |
| Starting current:                     | 620-620 %                |
| Full load SF current:                 | 140/70.1 A               |
| Cos phi - power factor:               | 0.89                     |



| Description                    | Value                |
|--------------------------------|----------------------|
| Rated speed:                   | 3550 rpm             |
| IE efficiency:                 | IE3 93%              |
| Motor efficiency at full load: | 93 %                 |
| Motor efficiency at 3/4 load:  | 93 %                 |
| Motor efficiency at 1/2 load:  | 93 %                 |
| Number of poles:               | 2                    |
| Enclosure class (IEC 34-5):    | IP55                 |
| Insulation class (IEC 85):     | F                    |
| Built-in motor protection:     | NONE                 |
| Motor Number:                  | 99883252             |
| <b>Controls:</b>               |                      |
| Frequency converter:           | NONE                 |
| <b>Others:</b>                 |                      |
| DOE Pump Energy Index CL:      | 0.93                 |
| Net weight:                    | 781 lb               |
| Gross weight:                  | 799 lb               |
| Shipping volume:               | 39.9 ft <sup>3</sup> |
| Country of origin:             | US                   |
| Custom tariff no.:             | 8413.70.2040         |



460//380-415



208-230V

All units are [in] unless otherwise presented.