

|                       |                  |             |
|-----------------------|------------------|-------------|
| PROJECT:              | UNIT TAG:        | QUANTITY:   |
| REPRESENTATIVE: _____ | TYPE OF SERVICE: | DATE: _____ |
| ENGINEER:             | SUBMITTED BY:    | DATE:       |
| CONTRACTOR:           | APPROVED BY:     | DATE:       |
|                       | ORDER NO.:       | DATE:       |

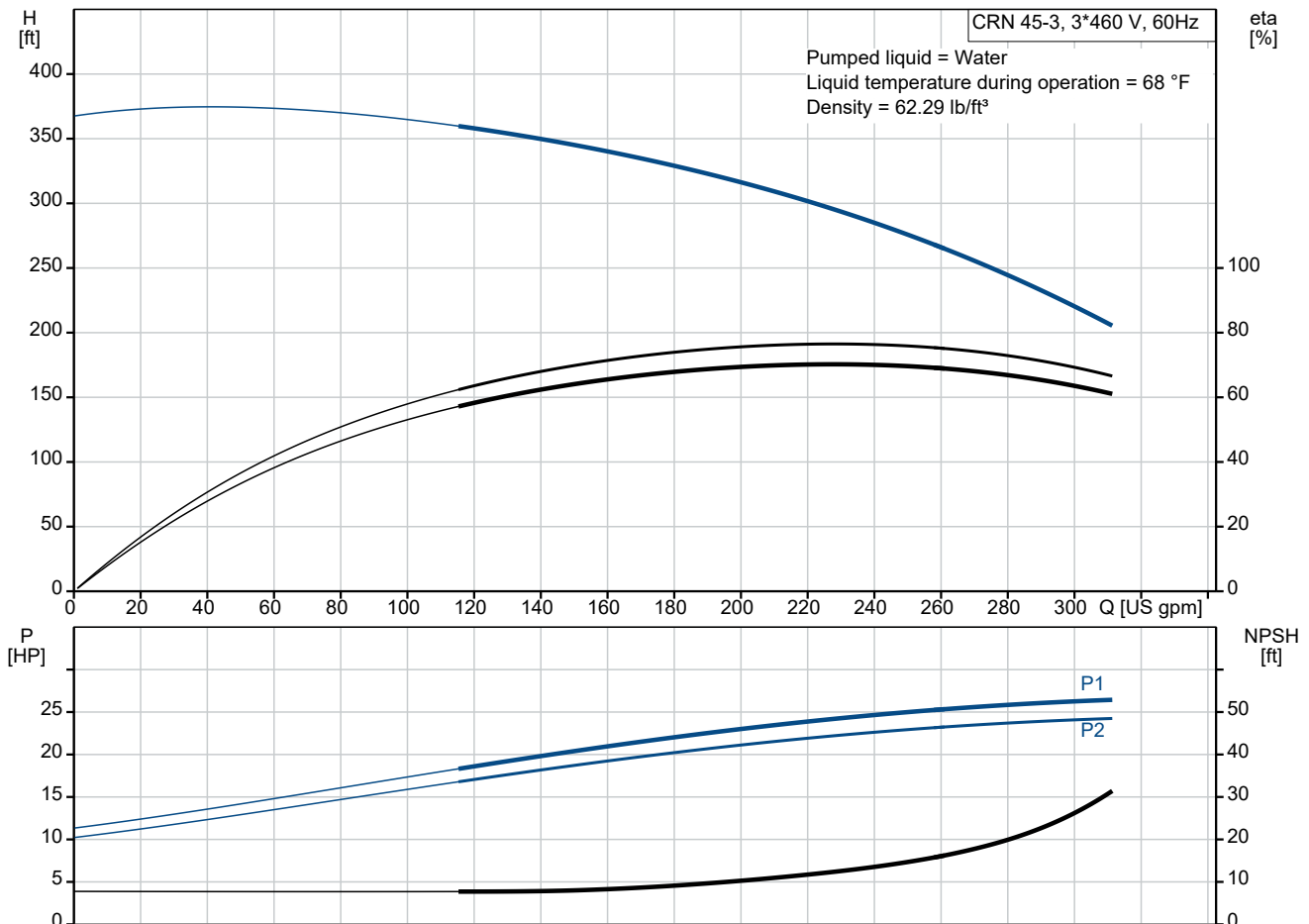


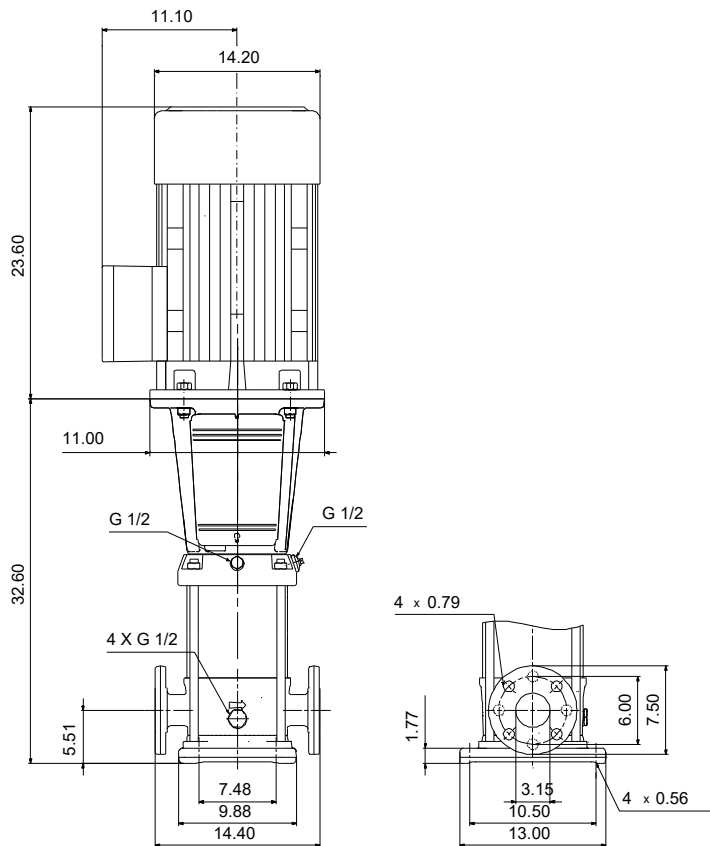
### CRN 45-3 A-G-A-E-HQQE

Vertical, multistage centrifugal pump with suction and discharge ports on same the level. Pump materials in contact with the liquid are in high-grade stainless steel (EN 1.4401) (AISI 316)

Product photo could vary from the actual product

| Conditions of Service   | Pump Data  | Motor Data                   |
|-------------------------|--|------------------------------|
| Efficiency: _____       | Max pressure at stated temperature: 232 psi / 250 °F | Rated power - P2: 25 HP      |
| Liquid: Water           | Liquid temperature range: -40 .. 248 °F              | Rated voltage: 208-230/460 V |
| Temperature: 68 °F      | Maximum ambient temperature: 104 °F                  | Main frequency: 60 Hz        |
| NPSH required: ft       | Shaft seal: HQQE                                     | Enclosure class: IP55        |
| Specific Gravity: 1.000 | Product number: 99918210                             | Insulation class: F          |
|                         |  | Motor protection: NONE       |
|                         |  | Motor type: WEG              |
|                         |  | Eff. 1/1: 91.7 %             |

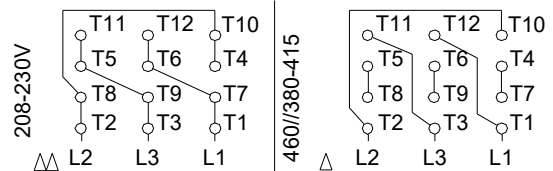
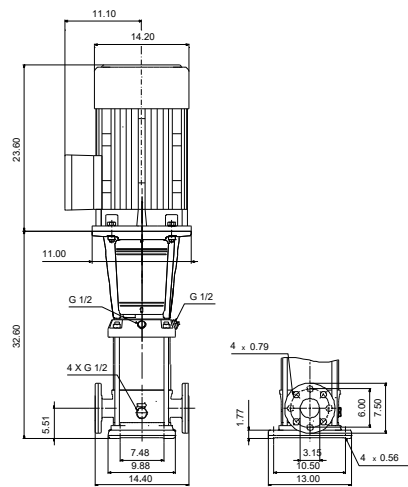
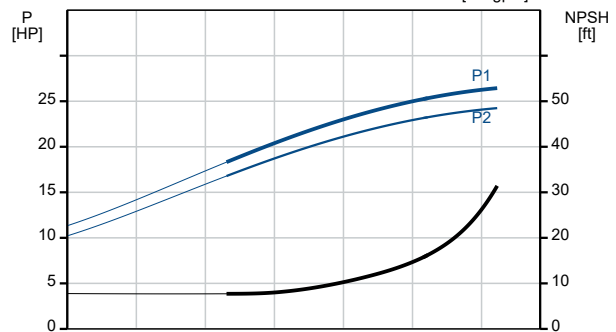
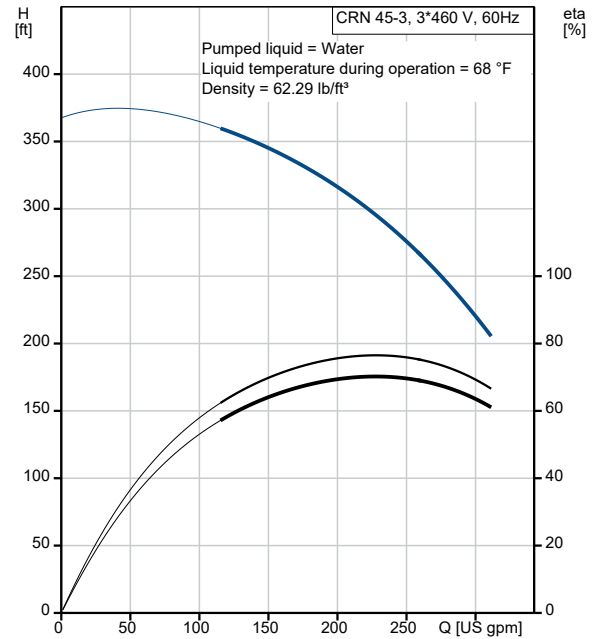




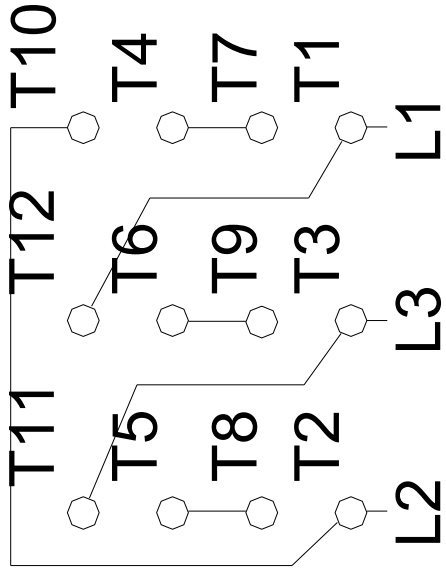
**Materials:**

Base: Stainless steel  
 Base: EN 1.4408  
 Base: AISI 316  
 Impeller: Stainless steel  
 Impeller: AISI 316  
 Impeller: EN 1.4401  
 Material code: A  
 Code for rubber: E

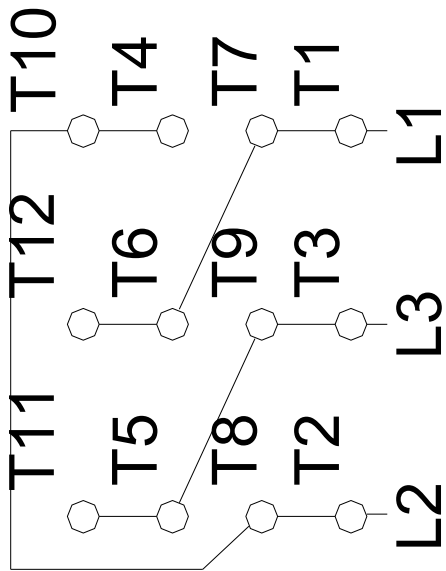
| Description                           | Value                 |
|---------------------------------------|-----------------------|
| <b>General information:</b>           |                       |
| Product name:                         | CRN 45-3 A-G-A-E-HQQE |
| Product No.:                          | 99918210              |
| EAN:                                  | 5715114130721         |
| <b>Technical:</b>                     |                       |
| Rated pump speed:                     | 3521 rpm              |
| Rated flow:                           | 238 US gpm            |
| Rated head:                           | 282.5 ft              |
| Maximum head:                         | 364.8 ft              |
| Actual impeller diameter:             | 5.34 in               |
| Stages:                               | 3                     |
| Impellers:                            | 3                     |
| Number of reduced-diameter impellers: | 0                     |
| Low NPSH:                             | N                     |
| Pump orientation:                     | Vertical              |
| Shaft seal arrangement:               | Single                |
| Code for shaft seal:                  | HQQE                  |
| Approvals:                            | CURUS                 |
| Approvals for drinking water:         | NSF/ANSI 61           |
| Curve tolerance:                      | ISO9906:2012 3B       |
| Pump version:                         | A                     |
| Model:                                | B                     |
| Cooling:                              | IC 411                |
| <b>Materials:</b>                     |                       |
| Base:                                 | Stainless steel       |
| Base:                                 | EN 1.4408             |
| Base:                                 | AISI 316              |
| Impeller:                             | Stainless steel       |
| Impeller:                             | EN 1.4401             |
| Impeller:                             | AISI 316              |
| Material code:                        | A                     |
| Code for rubber:                      | E                     |
| Bearing:                              | SIC                   |
| Support bearing:                      | Graflon               |
| <b>Installation:</b>                  |                       |
| t max amb:                            | 104 °F                |
| Maximum operating pressure:           | 232.06 psi            |
| Max pressure at stated temperature:   | 232 psi / 250 °F      |
| Max pressure at stated temperature:   | 232 psi / -40 °F      |
| Type of connection:                   | ANSI                  |
| Size of suction port:                 | 3 inch                |
| Size of outlet port:                  | 3 inch                |
| Pressure rating for connection:       | PN 16                 |
| Flange rating inlet:                  | 150 lb                |
| Flange size for motor:                | 284TC                 |
| Connect code:                         | G                     |
| <b>Liquid:</b>                        |                       |
| Pumped liquid:                        | Water                 |
| Liquid temperature range:             | -40 .. 248 °F         |
| Selected liquid temperature:          | 68 °F                 |
| Density:                              | 62.29 lb/ft³          |
| <b>Electrical data:</b>               |                       |
| Motor standard:                       | NEMA                  |
| Motor type:                           | WEG                   |
| IE Efficiency class:                  | IE3 / NEMA Premium    |
| Rated power - P2:                     | 25 HP                 |
| Power (P2) required by pump:          | 25 HP                 |
| Main frequency:                       | 60 Hz                 |
| Rated voltage:                        | 3 x 208-230/460 V     |
| Service factor:                       | 1.25                  |
| Rated current:                        | 63,6-57,6/28,8 A      |
| Starting current:                     | 630-630 %             |



| Description                    | Value              |
|--------------------------------|--------------------|
| Full load SF current:          | 72/36 A            |
| Cos phi - power factor:        | 0.88               |
| Rated speed:                   | 3545 rpm           |
| IE efficiency:                 | IE3 91,7%          |
| Motor efficiency at full load: | 91.7 %             |
| Motor efficiency at 3/4 load:  | 91.7 %             |
| Motor efficiency at 1/2 load:  | 91 %               |
| Number of poles:               | 2                  |
| Enclosure class (IEC 34-5):    | IP55               |
| Insulation class (IEC 85):     | F                  |
| Built-in motor protection:     | NONE               |
| Motor Number:                  | 99883249           |
| <b>Controls:</b>               |                    |
| Frequency converter:           | NONE               |
| <b>Others:</b>                 |                    |
| DOE Pump Energy Index CL:      | 0.89               |
| Net weight:                    | 561 lb             |
| Gross weight:                  | 579 lb             |
| Shipping volume:               | 29 ft <sup>3</sup> |
| Country of origin:             | US                 |
| Custom tariff no.:             | 8413.70.2040       |



460//380-415



208-230V

All units are [in] unless otherwise presented.