

PROJECT:	UNIT TAG:	QUANTITY:
REPRESENTATIVE: _____	TYPE OF SERVICE:	DATE: _____
ENGINEER:	SUBMITTED BY:	DATE:
CONTRACTOR:	APPROVED BY:	DATE:
	ORDER NO.:	DATE:

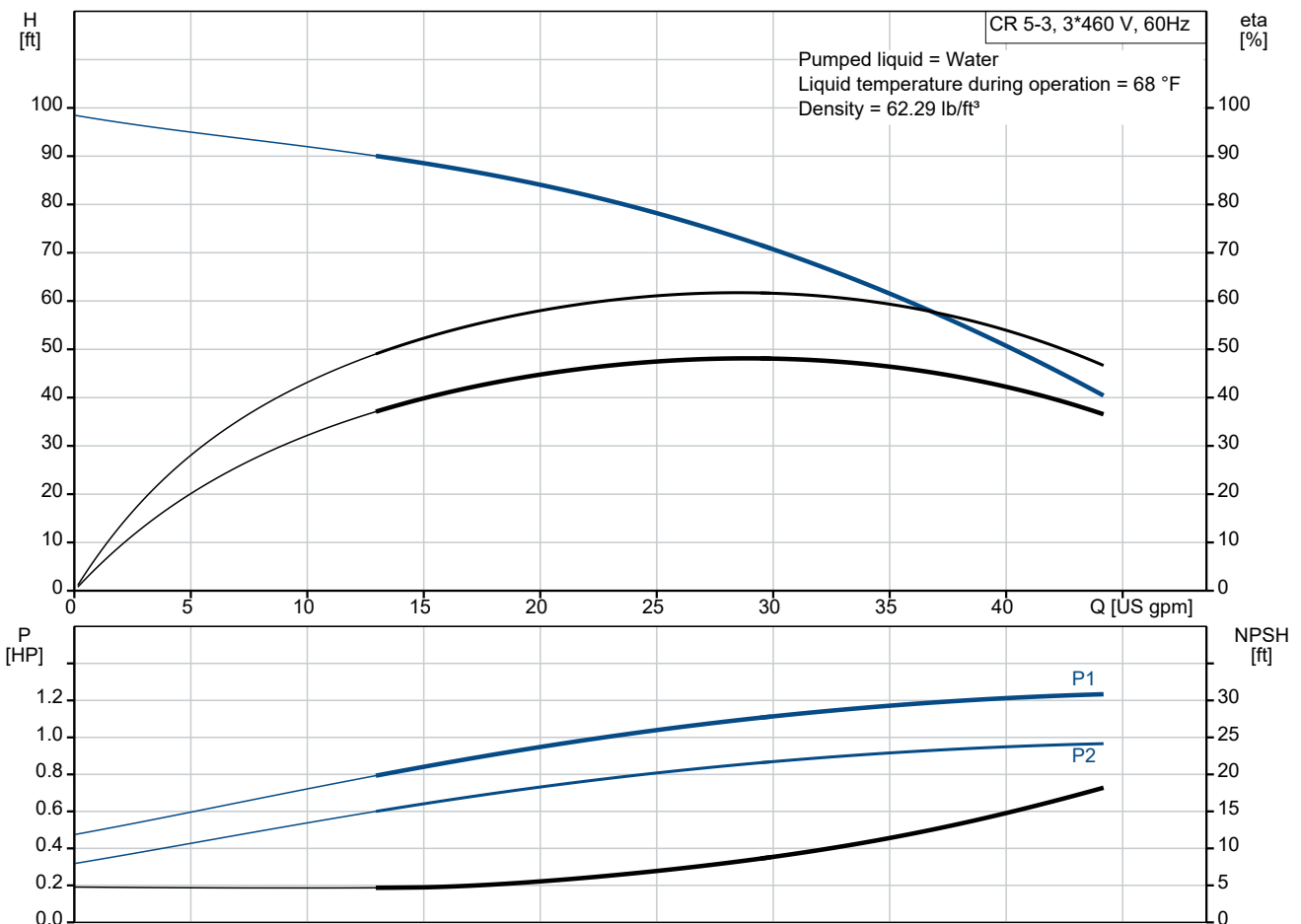


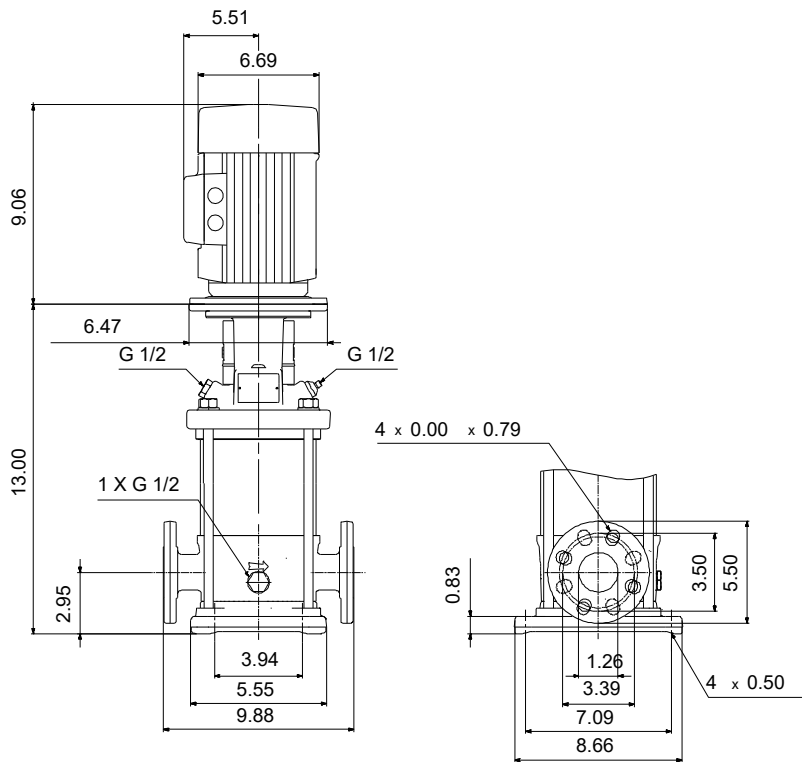
CR 5-3 A-FGJ-A-E-HQQE

Vertical, multistage centrifugal pump with suction and discharge ports on the same level. The pump head and base are in cast iron. All other wetted parts are in stainless steel (EN 1.4301)(AISI 304)

Product photo could vary from the actual product

Conditions of Service		Pump Data		Motor Data	
Liquid:	Water	Max pressure at stated temperature:	363 psi / 250 °F	Rated power - P2:	1 HP
Temperature:	68 °F	Liquid temperature range:	-4 .. 248 °F	Rated voltage:	208-230/460 V
Specific Gravity:	1.000	Maximum ambient temperature:	104 °F	Main frequency:	60 Hz
		Shaft seal:	HQQE	Enclosure class:	IP55
		Product number:	99916781	Insulation class:	F
				Motor protection:	NONE
				Motor type:	WEG
				Eff. 1/1:	78.5 %

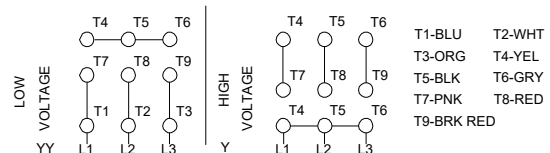
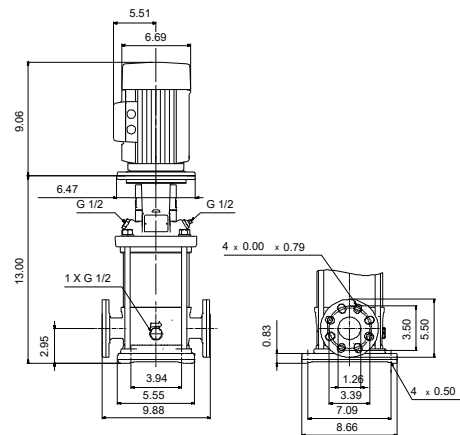
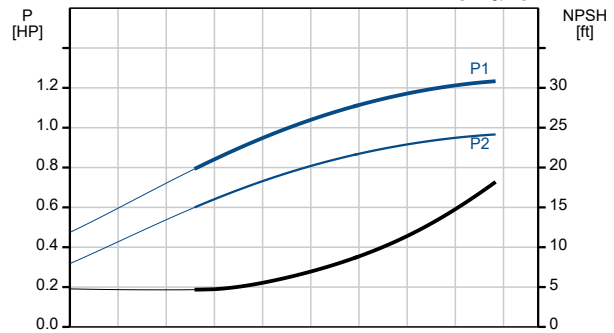
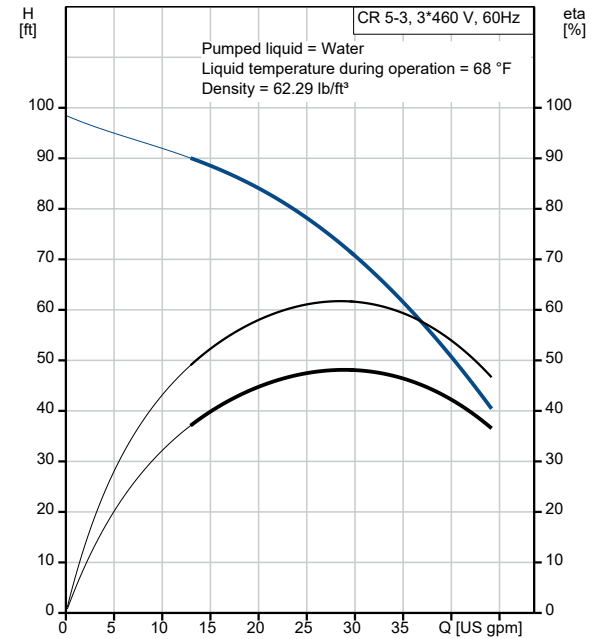




Materials:

Base:	Cast iron
Base:	EN 1561 EN-GJL-200
Base:	ASTM A48-25B
Impeller:	Stainless steel
Impeller:	AISI 304
Impeller:	EN 1.4301
Material code:	A
Code for rubber:	E

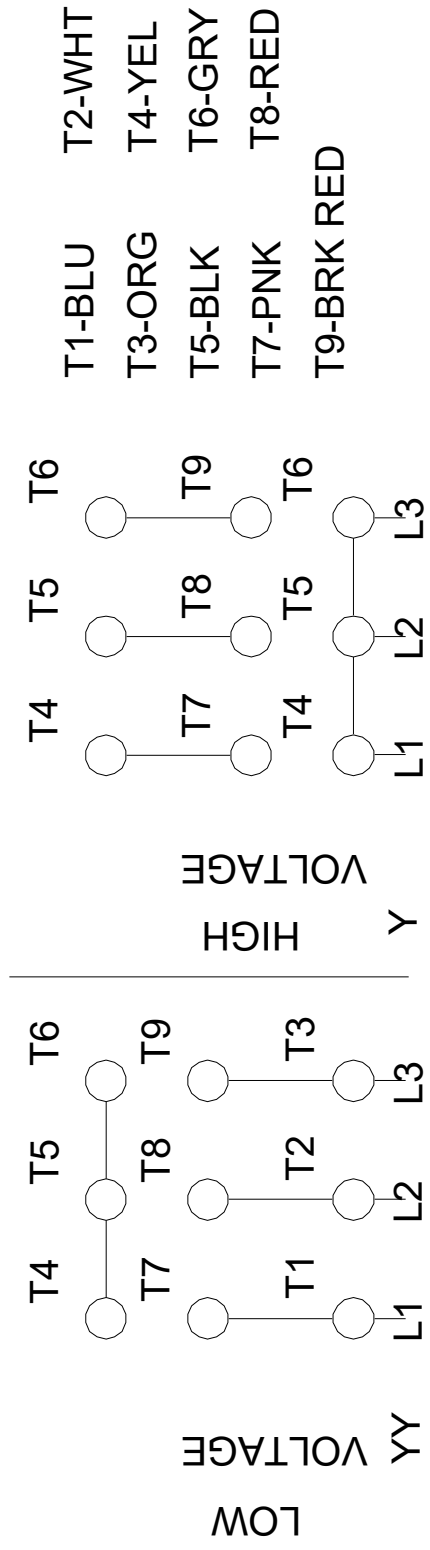
Description	Value
General information:	
Product name:	CR 5-3 A-FGJ-A-E-HQQE
Product No.:	99916781
EAN:	5715114115506
Technical:	
Rated pump speed:	3484 rpm
Rated flow:	30.4 US gpm
Rated head:	65.29 ft
Maximum head:	96.13 ft
Stages:	3
Impellers:	3
Number of reduced-diameter impellers:	0
Low NPSH:	N
Pump orientation:	Vertical
Shaft seal arrangement:	Single
Code for shaft seal:	HQQE
Approvals:	CURUS
Approvals for drinking water:	NSF/ANSI 61
Curve tolerance:	ISO9906:2012 3B
Pump version:	A
Model:	A
Cooling:	IC 411
Materials:	
Base:	Cast iron
Base:	EN 1561 EN-GJL-200
Base:	ASTM A48-25B
Impeller:	Stainless steel
Impeller:	EN 1.4301
Impeller:	AISI 304
Material code:	A
Code for rubber:	E
Bearing:	SIC
Installation:	
t max amb:	104 °F
Maximum operating pressure:	362.59 psi
Max pressure at stated temperature:	363 psi / 250 °F
Max pressure at stated temperature:	363 psi / -4 °F
Type of connection:	DIN / ANSI / JIS
Size of inlet connection:	DN 25/32
Size of outlet connection:	DN 25/32
Pressure rating for connection:	PN 25
Flange rating inlet:	250 lb
Flange size for motor:	56C
Connect code:	FGJ
Liquid:	
Pumped liquid:	Water
Liquid temperature range:	-4 .. 248 °F
Selected liquid temperature:	68 °F
Density:	62.29 lb/ft ³
Electrical data:	
Motor standard:	NEMA
Motor type:	WEG
IE Efficiency class:	IE3 / NEMA Premium
Rated power - P2:	1 HP
Power (P2) required by pump:	1 HP
Main frequency:	60 Hz
Rated voltage:	3 x 208-230/460 V
Service factor:	1.15
Rated current:	3.32-3.0/1,5 A
Starting current:	880-880 %
Full load SF current:	3.45/1.73 A
Cos phi - power factor:	0.80



INTERCHANGE ANY TWO LINE WIRES TO REVERSE THE ROTATION

Description	Value
Rated speed:	3435 rpm
IE efficiency:	IE3 78,5%
Motor efficiency at full load:	78.5 %
Motor efficiency at 3/4 load:	77 %
Motor efficiency at 1/2 load:	74 %
Number of poles:	2
Enclosure class (IEC 34-5):	IP55
Insulation class (IEC 85):	F
Built-in motor protection:	NONE
Motor Number:	99883239
Controls:	
Frequency converter:	NONE
Others:	
Net weight:	64.9 lb
Gross weight:	75.9 lb
Shipping volume:	4.94 ft ³
Country of origin:	US
Custom tariff no.:	8413.70.2040

99916781 CR 5-3 A-FGJ-A-E-HQQE 60 Hz



INTERCHANGE ANY TWO LINE WIRES TO REVERSE THE ROTATION

All units are [in] unless otherwise presented.