

| | | |
|-----------------------|------------------|-------------|
| PROJECT: | UNIT TAG: | QUANTITY: |
| REPRESENTATIVE: _____ | TYPE OF SERVICE: | DATE: _____ |
| ENGINEER: | SUBMITTED BY: | DATE: |
| CONTRACTOR: | APPROVED BY: | DATE: |
| | ORDER NO.: | DATE: |

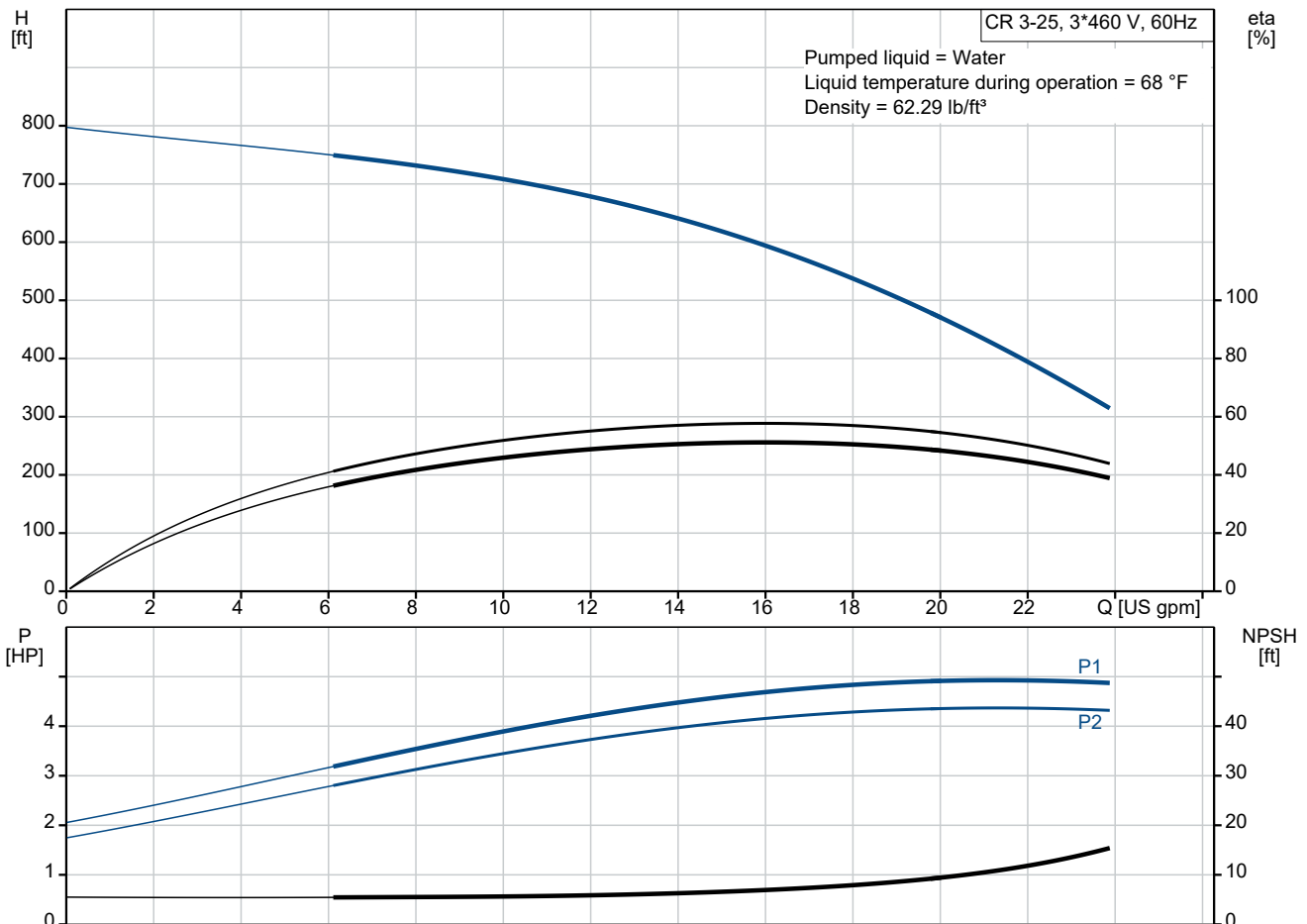


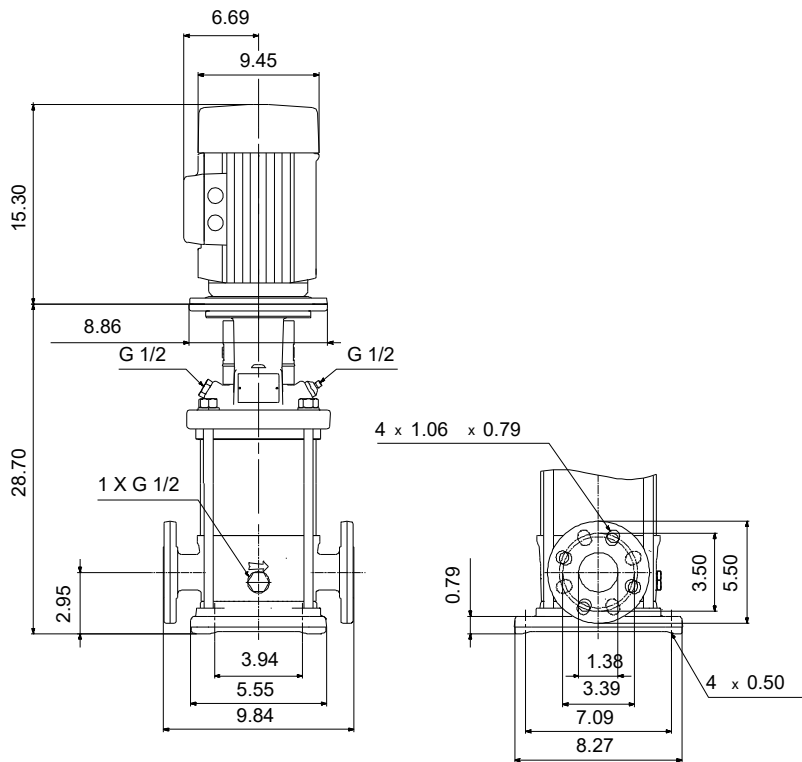
CR 3-25 A-FGJ-A-E-HQQE

Vertical, multistage centrifugal pump with suction and discharge ports on the same level. The pump head and base are in cast iron. All other wetted parts are in stainless steel (EN 1.4301)(AISI 304)

Product photo could vary from the actual product

| Conditions of Service | | Pump Data | | Motor Data | |
|-----------------------|-------|-------------------------------------|------------------|-------------------|---------------|
| Liquid: | Water | Max pressure at stated temperature: | 363 psi / 250 °F | Rated power - P2: | 5 HP |
| Temperature: | 68 °F | Liquid temperature range: | -4 .. 248 °F | Rated voltage: | 208-230/460 V |
| Specific Gravity: | 1.000 | Maximum ambient temperature: | 104 °F | Main frequency: | 60 Hz |
| | | Shaft seal: | HQQE | Enclosure class: | IP55 |
| | | Product number: | 99916356 | Insulation class: | F |
| | | | | Motor protection: | NONE |
| | | | | Motor type: | WEG |
| | | | | Eff. 1/1: | 88.5 % |

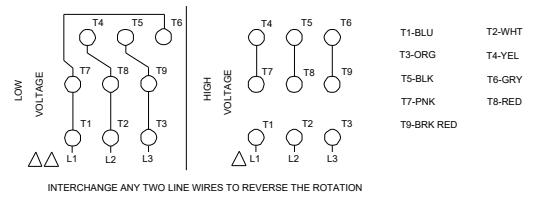
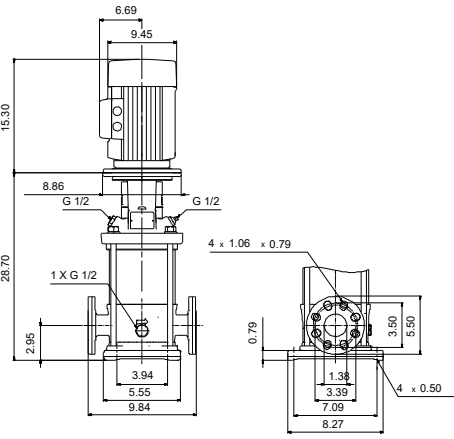
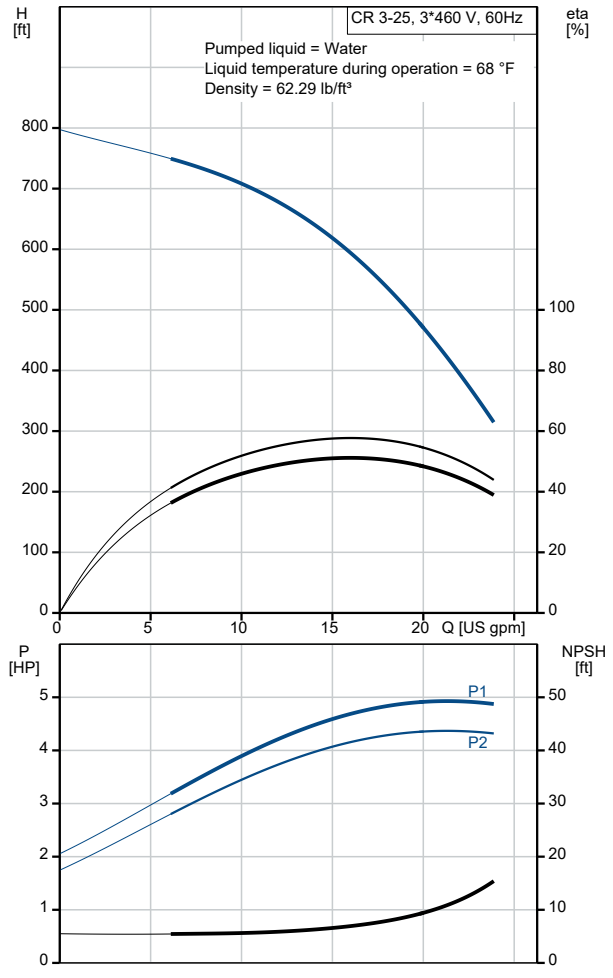




Materials:

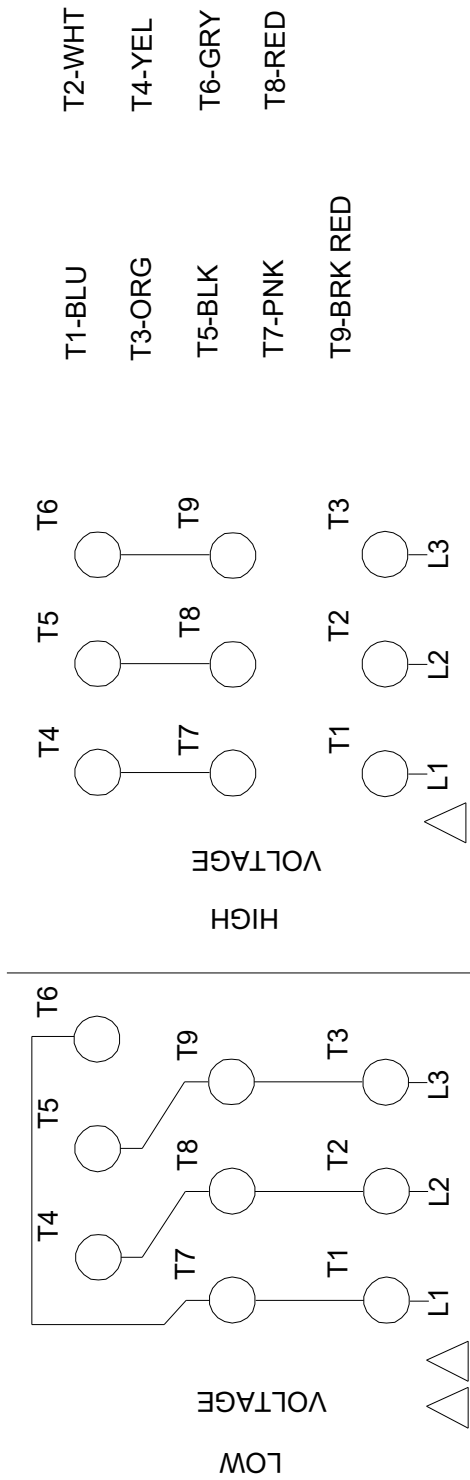
| | |
|------------------|--------------------|
| Base: | Cast iron |
| Base: | EN 1561 EN-GJL-200 |
| Base: | ASTM A48-25B |
| Impeller: | Stainless steel |
| Impeller: | AISI 304 |
| Impeller: | EN 1.4301 |
| Material code: | A |
| Code for rubber: | E |

| Description | Value |
|---------------------------------------|--------------------------|
| General information: | |
| Product name: | CR 3-25 A-FGJ-A-E-HQQE |
| Product No.: | 99916356 |
| EAN: | 5715114111058 |
| Technical: | |
| Rated pump speed: | 3461 rpm |
| Rated flow: | 15.4 US gpm |
| Rated head: | 588.3 ft |
| Maximum head: | 785.8 ft |
| Stages: | 25 |
| Impellers: | 25 |
| Number of reduced-diameter impellers: | 0 |
| Low NPSH: | N |
| Pump orientation: | Vertical |
| Shaft seal arrangement: | Single |
| Code for shaft seal: | HQQE |
| Approvals: | CURUS |
| Approvals for drinking water: | NSF/ANSI 61 |
| Curve tolerance: | ISO9906:2012 3B |
| Pump version: | A |
| Model: | A |
| Cooling: | IC 411 |
| Materials: | |
| Base: | Cast iron |
| Base: | EN 1561 EN-GJL-200 |
| Base: | ASTM A48-25B |
| Impeller: | Stainless steel |
| Impeller: | EN 1.4301 |
| Impeller: | AISI 304 |
| Material code: | A |
| Code for rubber: | E |
| Bearing: | SIC |
| Installation: | |
| t max amb: | 104 °F |
| Maximum operating pressure: | 362.59 psi |
| Max pressure at stated temperature: | 363 psi / 250 °F |
| Max pressure at stated temperature: | 363 psi / -4 °F |
| Type of connection: | DIN / ANSI / JIS |
| Size of inlet connection: | DN 25/32 |
| Size of outlet connection: | DN 25/32 |
| Pressure rating for connection: | PN 25 |
| Flange rating inlet: | 250 lb |
| Flange size for motor: | 182TC |
| Connect code: | FGJ |
| Liquid: | |
| Pumped liquid: | Water |
| Liquid temperature range: | -4 .. 248 °F |
| Selected liquid temperature: | 68 °F |
| Density: | 62.29 lb/ft ³ |
| Electrical data: | |
| Motor standard: | NEMA |
| Motor type: | WEG |
| IE Efficiency class: | IE3 / NEMA Premium |
| Rated power - P2: | 5 HP |
| Power (P2) required by pump: | 5 HP |
| Main frequency: | 60 Hz |
| Rated voltage: | 3 x 208-230/460 V |
| Service factor: | 1.15 |
| Rated current: | 13, 1-11, 8/5, 9 A |
| Starting current: | 780-780 % |
| Full load SF current: | 13.6/6.79 A |
| Cos phi - power factor: | 0.89 |



| Description | Value |
|--------------------------------|----------------------|
| Rated speed: | 3500 rpm |
| IE efficiency: | IE3 88,5% |
| Motor efficiency at full load: | 88.5 % |
| Motor efficiency at 3/4 load: | 88.5 % |
| Motor efficiency at 1/2 load: | 87.5 % |
| Number of poles: | 2 |
| Enclosure class (IEC 34-5): | IP55 |
| Insulation class (IEC 85): | F |
| Built-in motor protection: | NONE |
| Motor Number: | 99882380 |
| Controls: | |
| Frequency converter: | NONE |
| Others: | |
| Net weight: | 155 lb |
| Gross weight: | 173 lb |
| Shipping volume: | 10.1 ft ³ |
| Country of origin: | US |
| Custom tariff no.: | 8413.70.2040 |

99916356 CR 3-25 A-FGJ-A-E-HQQE 60 Hz



INTERCHANGE ANY TWO LINE WIRES TO REVERSE THE ROTATION

All units are [in] unless otherwise presented.