

# Service Kit Catalogue

2021

NBS, NBSE



be  
think  
innovate

**GRUNDFOS** 

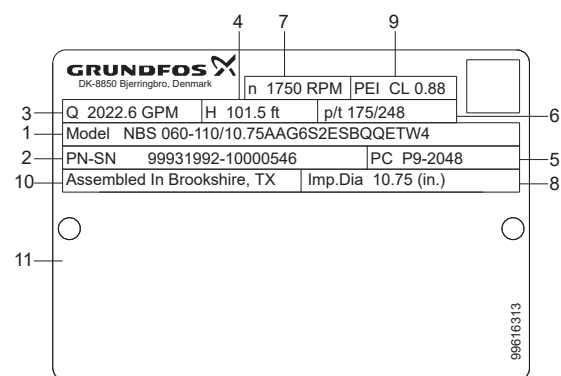
<b>1. NBS, NBSE (60 Hz)</b>	<b>3</b>
Overview of service kits and spares	3
Nameplate	3
Type key	4
<b>2. Service kits and spares</b>	<b>8</b>
Kit - Pump housing	8
Kit/spare - Wear ring	10
Kit - Nut, washer and key for impeller	12
Spare - Impeller	14
Spare/bulk - Shaft seal and spacer	22
Spare/bulk - O-ring for cover and seal cover	25
Kit/spare - Cover	28
Kit - Seal cover	30
Kit - Flushing line	32
Spare - Flow control adapter	32
Kit - Shaft	33
Spare - Key, coupling (pump side)	35
Kit - Split coupling	36
Kit - Motor stool	38
Kit - Coupling guards	38
Pump nameplate	40
Kit - Plugs for seal cover and motor stool	40
Kit - Fork tool (positioning tool for pump shaft)	41
Kit - Loose flange	41
Kit - Support rails under pump	42
Kit - Support rails under motor	44
Kit - Sensor for NBSE Series 2000	46
<b>3. Exploded drawings</b>	<b>47</b>

# 1. NBS, NBSE (60 Hz)

## 1.1 Overview of service kits and spares

Description	Chapter
Kit - Pump housing	<a href="#">2.1 Kit - Pump housing</a>
Kit/spare - Wear ring	<a href="#">2.2 Kit/spare - Wear ring</a>
Kit - Nut, washer and key for impeller	<a href="#">2.3 Kit - Nut, washer and key for impeller</a>
Spare - Impeller	<a href="#">2.4 Spare - Impeller</a>
Spare/bulk - Shaft seal and spacer	<a href="#">2.5 Spare/bulk - Shaft seal and spacer</a>
Spare/bulk - O-ring for cover and seal cover	<a href="#">2.6 Spare/bulk - O-ring for cover and seal cover</a>
Kit/spare - Cover	<a href="#">2.7 Kit/spare - Cover</a>
Kit - Seal cover	<a href="#">2.8 Kit - Seal cover</a>
Kit - Flushing line	<a href="#">2.9 Kit - Flushing line</a>
Spare - Flow control adapter	<a href="#">2.10 Spare - Flow control adapter</a>
Kit - Shaft	<a href="#">2.11 Kit - Shaft</a>
Spare - Key, coupling (pump side)	<a href="#">2.12 Spare - Key, coupling (pump side)</a>
Kit - Split coupling	<a href="#">2.13 Kit - Split coupling</a>
Kit - Motor stool	<a href="#">2.14 Kit - Motor stool</a>
Kit - Coupling guard	<a href="#">2.15 Kit - Coupling guards</a>
Pump nameplate	<a href="#">2.16 Pump nameplate</a>
Kit - Plugs for seal cover and motor stool	<a href="#">2.17 Kit - Plugs for seal cover and motor stool</a>
Kit - Fork tool (positioning tool for shaft)	<a href="#">2.18 Kit - Fork tool (positioning tool for pump shaft)</a>
Kit - Loose flange	<a href="#">2.19 Kit - Loose flange</a>
Kit - Support rails under pump	<a href="#">2.20 Kit - Support rails under pump</a>
Kit - Support rails under motor	<a href="#">2.21 Kit - Support rails under motor</a>
Kit - Differential pressure sensor	
Spare - Bracket for sensor	<a href="#">2.22 Kit - Sensor for NBSE Series 2000</a>
Kit - Sensor capillary tube	
Spare - Sensor cable	

## 1.2 Nameplate



Example of NBS nameplate

Pos.	Description
1	Type designation
2	Product number and production serial number
3	Flow
4	Head
5	Production code
6	Pressure and temperature
7	Pump speed
8	Impeller diameter
9	PEI CL: Pump Energy Index, constant load PEI VL: Pump Energy Index, variable load
10	Place of production
11	Field for approval marks and associated texts

## 1.3 Type key

**Example 1:** NBS 025-095/08.43AAEG6S3ESBQQETX2

**Example 2:** NBS 040-150/16.77AFEG7TBESDQQE1X4

**Example 3:** NBS 060-135/1291-1276AAEG7TBESDQQEWX4

**Example 4:** NBSE 025-110/11.02ASFEG6S2ESBQQENDA

**Example 5:** NBSE 030-110/1094-1063ACAEG7S7FSDAQFODA

Pos.	1	2	3	4	5	6	7	8	9	10	11	12	13	14	15	16	17
Example 1	NBS	025	-095	/8.43		A		AE	G	6	S3	E	S	BQQE	T	X	2
Example 2	NBS	040	-150	/16.77		A		FE	G	7	TB	E	S	DQQE	1	X	4
Example 3	NBS	060	-135	/1291-1276		A		AE	G	7	TB	E	S	DQQE	W	X	4
Example 4	NBSE	025	-110	/11.02		A	S	FE	G	6	S2	E	S	BQQE	N	D	A
Example 5	NBSE	030	-110	/1094-1063		A	C	AE	G	7	S7	F	S	DAQF	O	D	A

Pos.	Explanation
1	Type range
2	Nominal diameter of outlet port (DN)
3	Nominal impeller diameter [inch]
4	Actual impeller diameter [inch]
	<b>Impeller type</b>
	'blank': Closed impeller, cylindrical trim. If one dimension is shown, the impeller has a cylindrical trim, for example 11.02
5	'blank': Closed impeller, conical trim. If two dimensions are shown, the impeller has a conical trim, for example 1094-1063
	S: Semi-open impeller
	V: Super vortex impeller
	<b>Hydraulic version</b>
	A: 1st version
6	B: 2nd version
	C: 3rd version
	D: 4th version
	<b>Sensor version</b>
7	'blank': Pump without sensor
	C: Without built-in sensor, one cable and one pressure sensor are supplied with the pump
	S: Pump with built-in differential-pressure sensor, Series 2000
	<b>Code for pump version; the codes may be combined</b>
	A: Basic version
	B: Oversize motor
8	C: Without motor
	(+E): With ATEX approval, certificate or test report, the second character of the code for pump version is an E
	F: Design with base frame
	(+S): With support rails, the second character of the pump version code is an S
	X: Special version; used in case of further customisation than already listed
	<b>Pipe connection</b>
9	G: ANSI flange
	<b>Flange pressure rating (PN - rated pressure)</b>
10	5: Other pressure rating
	6: Class 125, 175 PSI
	7: Class 300, 363 PSI

Pos.	Explanation			
	<b>Code for materials</b>			
	Code	Pump housing	Impeller	Wear ring
	S2	A48 Class 35	304	No wear ring
	S3	A48 Class 35	304	No wear ring
	S4	A48 Class 35	304	No wear ring
	S5	A48 Class 35	304	No wear ring
	S6	A48 Class 35	316	No wear ring
	S7	A48 Class 35	316	No wear ring
	S8	A48 Class 35	316	No wear ring
	S9	A48 Class 35	316	No wear ring
11	SA	70-50-05	304	No wear ring
	SB	70-50-05	304	No wear ring
	SC	70-50-05	304	No wear ring
	SD	70-50-05	304	No wear ring
	SE	70-50-05	316	No wear ring
	SF	70-50-05	316	No wear ring
	SG	70-50-05	316	No wear ring
	SH	70-50-05	316	No wear ring
	T2	A48 Class 35	CD4MCuN/A890	No wear ring
	TA	70-50-05	CD4MCuN/A890	No wear ring
	X	Special version		
	<b>Rubber parts in pump</b>			
	E: EPDM			
	F: FXM (Fluoraz®)			
12	K: FFKM (Kalrez®)			
	M: FEPS (PTFE-sheathed silicone O-ring)			
	O: HNBR			
	V: FKM (Viton®)			
	<b>Shaft seal arrangement</b>			
13	S: Single seal			
	<b>Shaft seal in pump</b>			
14	Letter code for mechanical shaft seal and shaft seal rubber parts. See section Letter codes for shaft seals.			
15	Code for rated motor power [kW]. See section Codes for rated motor power.			
16	Code for phase and voltage [V] or other information. See section Codes for phase and voltage or other information.			
17	Code for speed variant [rpm]. See section Codes for speed variant.			

**Related information**[Letter codes for shaft seals](#)[Codes for rated motor power](#)[Codes for phase and voltage or other information](#)[Codes for speed variant](#)

## Letter codes for shaft seals

Pos. 14 in NBS type key example.

Code example	Description	Code explanation
B	Shaft seal type	A: O-ring seal with fixed driver B: Rubber bellows seal D: O-ring seal, balanced H: Cartridge seal, balanced
Q	Material of rotating seal face	A: Carbon, metal-impregnated with antimony which is not approved for potable water B: Carbon, resin-impregnated Q: Silicon carbide
Q	Material of stationary seal	A: Carbon, metal-impregnated with antimony which is not approved for potable water Q: Silicon carbide
E	Material of secondary seal and other rubber and composite parts, except the wear ring	E: EPDM V: FKM (Viton®) F: FXM (Fluoraz®) K: FFKM (Kalrez®) X: HNBR U: Dynamic O-rings in FFKM and static O-rings in PTFE

## Codes for rated motor power

Pos. 15 in NBSE, NBS type key example.

Code	Description	
	[hp]	[kW]
A	0.16	0.12
B	0.25	0.18
C	0.33	0.25
D	0.5	0.37
E	0.75	0.55
F	1	0.75
G	1.5	1.1
H	2	1.5
I	3	2.2
J	4	3
K	5 (5.5 <sup>1</sup> )	3.7 (4 <sup>1</sup> )
L	7.5	5.5
M	10	7.5
N	15	11
O	20	15
P	25	18.5
Q	30	22
R	40	30
S	50	37
T	60	45
U	75	55
V	100	75
W	125	90
X	Bare pump	
Y	> 200 <sup>2</sup>	> 150 <sup>2</sup>
1	150	110
2	175	132
3	200	150
4	215 <sup>3</sup>	160
5	250 <sup>3</sup>	185

<sup>1</sup> Value in bracket is for the standard IEC motor size. Value outside bracket is for the motor size according to NEMA standards.

<sup>2</sup> Used for pumps where the pump shaft input power exceeds 200 hp (150 kW) and is not regulated under the DOE pump rule.

<sup>3</sup> Special cases with power sizes above 200 hp (150 kW) which are still regulated under the DOE pump rule. For example: Pump has a P2 value of 198 hp (147.6 kW) in its duty point (in DOE scope) but customer wants the 215 hp (160 kW) motor instead of the 200 hp (150 kW). The pump is in scope of the DOE regulation and requires a PEI value and a motor code.

## Codes for phase and voltage or other information

Pos. 16 in NBSE, NBS type key example.

Code	Description
A	E-motor (ECM <sup>1</sup> ), 1 x 200-240 V
B	E-motor (ECM <sup>1</sup> ), 3 x 200-240 V
C	E-motor (ECM <sup>1</sup> ), 3 x 440-480 V
D	E-motor (ECM <sup>1</sup> ), 3 x 380-500 V
V	Intended for use with external VFD only, asynchronous motor
W	Not for sale in North America
X	No motor or US DOE regulated motor (CC marked motor)
Y	Out of DOE scope
Z	E-motor, asynchronous motor

<sup>1</sup> ECM: Electronically Commutated Motor.

## Codes for speed variant

Pos. 17 in NBSE, NBS type key example.

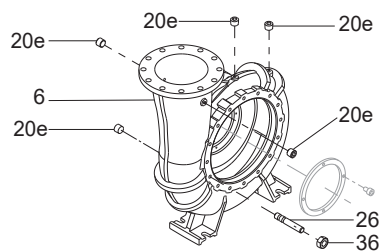
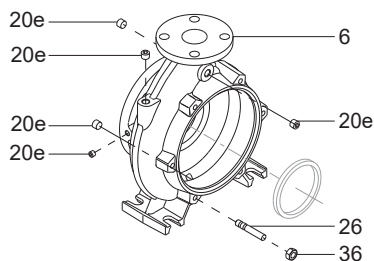
Code	Description
A	1450-2200 RPM, E-motor (ECM <sup>1</sup> )
B	2900-4000 RPM, E-motor (ECM <sup>1</sup> )
C	4000-5900 RPM, E-motor (ECM <sup>1</sup> )
1	2-pole, 50 Hz (Asynchronous motor)
2	2-pole, 60 Hz (Asynchronous motor)
3	4-pole, 50 Hz (Asynchronous motor)
4	4-pole, 60 Hz (Asynchronous motor)
5	6-pole, 50 Hz (Asynchronous motor)
6	6-pole, 60 Hz (Asynchronous motor)
7	8-pole, 50 Hz (Asynchronous motor)
8	8-pole, 60 Hz (Asynchronous motor)

<sup>1</sup> ECM: Electronically Commutated Motor.

## 2. Service kits and spares

### 2.1 Kit - Pump housing

#### Cast iron, low pressure (Class 125)

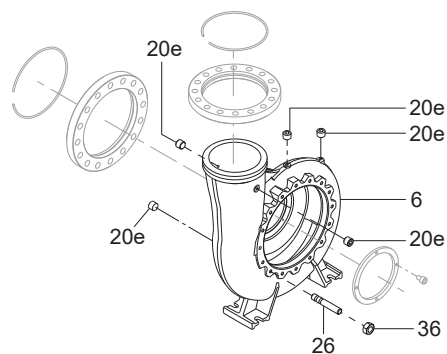
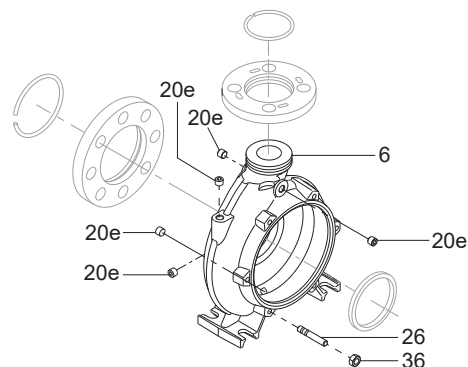


#### Kit, pump housing, cast iron low pressure (Class 125)

- 6: 1 x pump housing
- 26: Needed number of stay bolts
- 36: Nuts for stay bolts
- 20e: Plugs (for filling, draining, flushing, and pressure outtake)

TM078535

#### Cast iron, high pressure (Class 300)



#### Kit, pump housing, cast iron low pressure (Class 300)

- 6: 1 x pump housing
- 26: Needed number of stay bolts
- 36: Nuts for stay bolts
- 20e: Plugs (for filling, draining, flushing, and pressure outtake)

TM078536



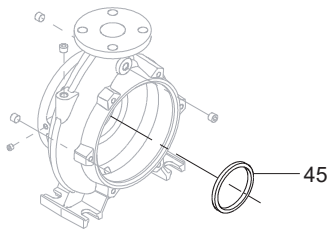
1. Check pressure code	Pump rated pressure, see pos.10 in type key									
	Low pressure (Class 125) = code 6				High pressure (Class 300) = code 7					
2. Check original surface color of wetted parts	Brownish-red primer		Sand blasted metal	Green coating	Brownish-red primer		Sand blasted metal	Green coating		
3. Check approval mark on pump nameplate	No approval mark		NSF compliant	NSF compliant	No approval mark		NSF compliant	NSF compliant		
Pump size	Without wear ring	With wear ring <sup>1</sup>	Without wear ring		With wear ring	Without wear ring	With wear ring <sup>1</sup>	Without wear ring		With wear ring
NBS 012-070	92521491	92521490	92521493	92521492		92521495	92521494	92521497	92521496	
NBS 015-070	92521249	92521248	92521251	92521250		92521254	92521252	92521256	92521255	
NBS 015-090	92521299	92521298	92521301	92521300		92521303	92521302	92521305	92521304	
NBS 015-095	92521291	92521290	92521293	92521292		92521295	92521294	92521297	92521296	
NBS 020-095	92521307	92521306	92521309	92521308		92521311	92521310	92521313	92521312	
NBS 020-110	92521355	92521354	92521357	92521356		92521359	92521358	92521361	92521360	
NBS 020-135	92521403	92521402	92521405	92521404		92521407	92521406	92521409	92521408	
NBS 025-070	92521267	92521266	92521269	92521268		92521271	92521270	92521273	92521272	
NBS 025-095	92521315	92521314	92521317	92521316		92521319	92521318	92521321	92521320	
NBS 025-110	92521363	92521362	92521365	92521364		92521367	92521366	92521369	92521368	
NBS 030-070	92521275	92521274	92521277	92521276		92521279	92521278	92521281	92521280	
NBS 030-095	92521323	92521322	92521325	92521324		92521327	92521326	92521329	92521328	
NBS 030-110	92521371	92521370	92521373	92521372		92521375	92521374	92521377	92521376	
NBS 030-135	92521411	92521410	92521413	92521412		92521415	92521414	92521417	92521416	
NBS 040-070	92521283	92521282	92521285	92521284		92521287	92521286	92521289	92521288	
NBS 040-095	92521331	92521330	92521333	92521332		92521335	92521334	92521337	92521336	
NBS 040-110	92521379	92521378	92521381	92521380		92521383	92521382	92521385	92521384	
NBS 040-135	92521419	92521418	92521421	92521420		92521423	92521422	92521425	92521424	
NBS 040-150	92521451	92521450	92521453	92521452		92521455	92521454	92521457	92521456	
NBS 050-070	92521258	92521257	92521261	92521260		92521263	92521262	92521265	92521264	
NBS 050-095	92521339	92521338	92521341	92521340		92521343	92521342	92521345	92521344	
NBS 050-110	92521387	92521386	92521389	92521388		92521391	92521390	92521393	92521392	
NBS 050-135	92521427	92521426	92521429	92521428		92521431	92521430	92521433	92521432	
NBS 050-150	92521459	92521458	92521461	92521460		92521463	92521462	92521465	92521464	
NBS 060-095	92521347	92521346	92521349	92521348		92521351	92521350	92521353	92521352	
NBS 060-110	92521395	92521394	92521397	92521396		92521399	92521398	92521401	92521400	
NBS 060-135	92521435	92521434	92521437	92521436		92521439	92521438	92521441	92521440	
NBS 060-150	92521467	92521466	92521469	92521468		92521471	92521470	92521473	92521472	
NBS 080-135	92521443	92521442	92521445	92521444		92521447	92521446	92521449	92521448	
NBS 080-150	92521475	92521474	92521477	92521476		92521479	92521478	92521481	92521480	
NBS 100-150	92521483	92521482	92521485	92521484		92521487	92521486	92521489	92521488	

On request, please contact Grundfos

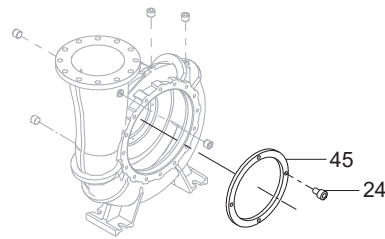
On request, please contact Grundfos

<sup>1</sup> The kit pump housing is machined and prepared for mounting a wear ring. The wear ring should be ordered separately, see kit/spare wear ring section.

## 2.2 Kit/spare - Wear ring



TM078537



TM060477

### Spare, wear ring

45: 1 x wear ring

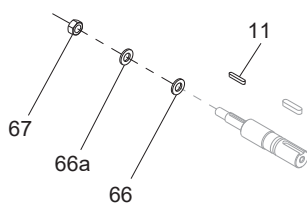
### Kit, wear ring

45: 1 x wear ring  
24: 4 x socket head cap screw

Pump size	Pole			Wear ring dimensions [mm]	Pump material code							
					x		x		x			
	2 4 6				Wear ring material							
					Brass		Bronze		Cast iron			
			Spare	Kit	Spare	Kit	Spare	Kit				
NBS 012-070	•			D63/D77x10	99208775	-	96810098	-	96810122	-		
		•		D63/D77x10	99208775	-	96810098	-	96810122	-		
NBS 015-070	•			D90/D104x10	99208821	-	96810100	-	96810126	-		
		•		D90/D104x10	99208821	-	96810100	-	96810126	-		
NBS 015-090	•			D76/D90x10	99208825	-	96810099	-	96810123	-		
		•		D76/D90x10	99208825	-	96810099	-	96810123	-		
NBS 015-095	•			D76/D90x10	99208825	-	96810099	-	96810123	-		
		•		D76/D90x10	99208825	-	96810099	-	96810123	-		
NBS 020-095	•			D112/D126x10	99208818	-	96810103	-	96810141	-		
		•		D112/D126x10	99208818	-	96810103	-	96810141	-		
NBS 020-110		•		D95/D109x10	99850309	-	99850307	-	99850308	-		
NBS 020-135		•		D95/D109x10	99850309	-	99850307	-	99850308	-		
NBS 025-070	•			D90/D104x10	99208821	-	96810100	-	96810126	-		
		•		D90/D104x10	99208821	-	96810100	-	96810126	-		
NBS 025-095	•			D100/D114x10	99208819	-	96810102	-	96810140	-		
		•	•	D100/D114x10	99208819	-	96810102	-	96810140	-		
NBS 025-110		•	•	D100/D114x10	99208819	-	96810102	-	96810140	-		
NBS 030-070	•			D112/D126x10	99208818	-	96810103	-	96810141	-		
		•		D112/D126x10	99208818	-	96810103	-	96810141	-		
NBS 030-095	•			D112/D126x10	99208818	-	96810103	-	96810141	-		
		•	•	D112/D126x10	99208818	-	96810103	-	96810141	-		
NBS 030-110		•	•	D112/D126x10	99208818	-	96810103	-	96810141	-		
NBS 030-135		•	•	D122/D138x13	99208813	-	96810105	-	96939586	-		
NBS 040-070	•			D122/D136x10	99208817	-	96810104	-	96939585	-		
		•	•	D122/D136x10	99208817	-	96810104	-	96939585	-		
NBS 040-095	•			D130/D144x10	99208815	-	96810106	-	96939587	-		
		•	•	D130/D144x10	99208815	-	96810106	-	96939587	-		
NBS 040-110		•	•	D130/D146x13	99208810	-	96797626	-	96939588	-		
NBS 040-135		•	•	D144/D158x15	99208748	-	96810107	-	96939589	-		
NBS 040-150		•	•	D174/D188x15	99208745	-	96810108	-	96939591	-		
NBS 050-070	•			D144/D158x15	99208748	-	96810107	-	96939589	-		
		•	•	D144/D158x15	99208748	-	96810107	-	96939589	-		
NBS 050-095		•	•	D174/D188x15	99208745	-	96810108	-	96939591	-		
NBS 050-110		•	•	D154/D168x15	99208807	-	96797628	-	96939590	-		
NBS 050-135		•	•	D154/D168x15	99208807	-	96797628	-	96939590	-		
NBS 050-150		•	•	D185/D199x15	99208792	-	96810109	-	96939602	-		
NBS 060-095		•	•	D185/D199x15	99208792	-	96810109	-	96939602	-		
NBS 060-110		•	•	D185/D199x15	99208792	-	96810109	-	96939602	-		
NBS 060-135		•	•	D200/D214x15	99208786	-	96810110	-	96939603	-		

Pump size	Pole			Wear ring dimensions [mm]	Pump material code					
	2	4	6		x		x		x	
					Wear ring material					
					Brass		Bronze		Cast iron	
					Spare	Kit	Spare	Kit	Spare	Kit
NBS 060-150	•	•	•	D210/D224x15	99208749	-	96810111	-	96939604	-
NBS 080-135	•	•	•	D224/D238x15	99208743	-	96810112	-	96939605	-
NBS 080-150	•	•	•	D222/D272x15	-	96939611	-	-	-	96939606
NBS 100-150	•	•	•	D240/D290x15	-	96939613	-	92526540	-	96939608

## 2.3 Kit - Nut, washer and key for impeller



TM078538

### Kit, nut, washer and key for impeller

11: 1 x key

67: 1 x hex nut

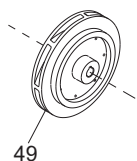
66a: 1 x lock washer

66: 1 x washer

Pump size	Pole			Pump material code		
				S2, S3, S6, S7, SA, SB, SE, SF	S4, S8, SC, SG	S5, S9, SD, SH
				Nut, washer and key material		
			304 (1.4301)	316 (1.4401)	904 (1.4462)	
NBS 012-070	•			92521562	92521567	92521572
		•		92521562	92521567	92521572
NBS 015-070	•			92521559	96939128	96939129
		•		92521562	92521567	92521572
NBS 015-090	•			92521559	96939128	96939129
		•		92521559	96939128	96939129
NBS 015-095	•			92521559	96939128	96939129
		•		92521559	96939128	96939129
NBS 020-095	•			95046322	92521565	96939131
		•		92521559	96939128	96939129
NBS 020-110		•		92521559	96939128	96939129
NBS 020-135		•		95046322	92521565	96939131
NBS 025-070	•			92521559	96939128	96939129
		•		92521562	92521567	92521572
NBS 025-095	•			95046322	92521565	96939131
		•	•	92521559	96939128	96939129
NBS 025-110		•	•	95046322	92521565	96939131
NBS 030-070	•			92521559	96939128	96939129
		•		92521562	92521567	92521572
NBS 030-095	•			95046322	92521565	96939131
		•	•	92521559	96939128	96939129
NBS 030-110		•	•	95046322	92521565	96939131
NBS 030-135		•	•	95046322	92521565	96939131
NBS 040-070	•			92521559	96939128	96939129
		•	•	92521559	96939128	96939129
NBS 040-095	•			95046322	92521565	96939131
		•	•	92521559	96939128	96939129
NBS 040-110		•	•	95046322	92521565	96939131
NBS 040-135		•	•	95046322	92521565	96939131
NBS 040-150		•	•	95046323	96939132	96939133
NBS 050-070	•			92521559	96939128	96939129
		•	•	92521559	96939128	96939129
NBS 050-095		•	•	95046322	92521565	96939131
NBS 050-110		•	•	95046322	92521565	96939131
NBS 050-135		•	•	95046323	96939132	96939133
NBS 050-150		•	•	95046323	96939132	96939133

Pump size	Pole			Pump material code		
				S2, S3, S6, S7, SA, SB, SE, SF	S4, S8, SC, SG	S5, S9, SD, SH
	2	4	6	Nut, washer and key material		
			304 (1.4301)	316 (1.4401)	904 (1.4462)	
NBS 060-095	•	•		95046322	92521565	96939131
NBS 060-110	•	•		95046323	96939132	96939133
NBS 060-135	•	•		95046323	96939132	96939133
NBS 060-150	•	•		92521563	96939134	96939135
NBS 080-135	•	•		95046323	96939132	96939133
NBS 080-150	•	•		92521563	96939134	96939135
NBS 100-150	•	•		92521563	96939134	96939135

## 2.4 Spare - Impeller



TM078777

### Spare, impeller

49: 1 x impeller

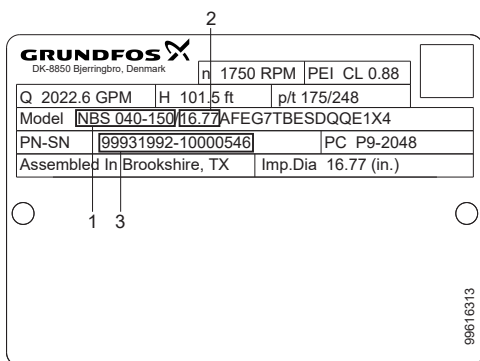
When ordering a spare impeller and the required trim falls between one of those mentioned in the overview, please inform Grundfos about the following nameplate data:

- pump type and size (pos.1)
- actual impeller trim, as indicated after the pump size (pos.2)
- product number and production serial number (PN-SN) (pos.3).

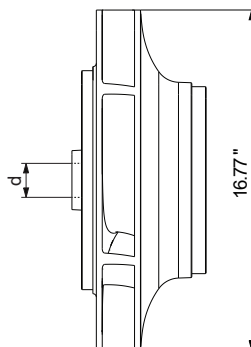
See the nameplate and impeller examples below.

This enables Grundfos to produce an exact match of the installed impeller.

### Cylindrical trim impeller

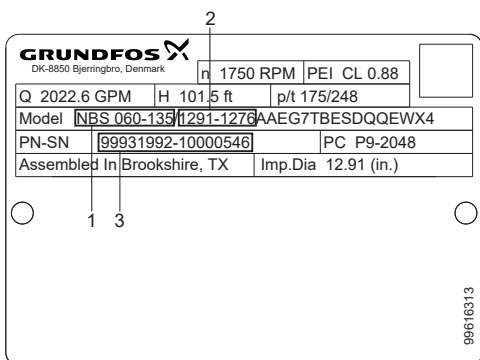


TM078938

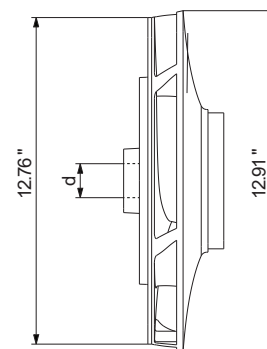


TM078940

### Angle trim impeller



TM078939



TM078941

Pump size	Pole	Actual impeller trim [inch]	P2 [hp]	Pump material code			Impeller bore, d [mm]
				S2, S3, S4, S5, SA, SB, SC, SD	S6, S7, S8, S9, SE, SF, SG, SH	T2, TA	
				Impeller material			
NBS 012-070	2	6.97	15	304 (1.4308)	316 (1.4408)	904 (1.4517)	16
	2	6.65	15	92526547	92526564	92553810	16
	2	6.42	10	92526548	92526565	92553811	16
	2	6.10	7.5	92600196	92600198	92600200	16
	2	6.10	7.5	92526549	92526566	92553812	16
	2	5.47	7.5	92526560	92526567	92553813	16
	2	5.00	5	92600195	92600197	92600199	16
	2	4.69	3	92526561	92526568	92553814	16
	4	6.97	1.5	92526547	92526564	92553810	16
	4	6.10	1	92526549	92526566	92553812	16
	4	5.71	1	92526562	92526570	92553815	16
	4	5.16	1	92526563	92526571	92553816	16

Pump size	Pole	Actual impeller trim [inch]	P2 [hp]	Pump material code			Impeller bore, d [mm]	
				S2, S3, S4, S5, SA, SB, SC, SD		S6, S7, S8, S9, SE, SF, SG, SH		T2, TA
				Impeller material				
				304 (1.4308)	316 (1.4408)	904 (1.4517)		
NBS 015-070	2	6.93	20	92526572	92526584	92553817	24	
	2	6.30	15	92526573	92526585	92553818	24	
	2	5.59	10	92526574	92526586	92553819	24	
	2	5.04	7.5	92526576	92526587	92553820	24	
	2	4.49	5	92526577	92526588	92553821	24	
	4	6.93	3	92526578	92526590	92553822	16	
	4	6.54	2	92526579	92526591	92553823	16	
	4	5.91	1.5	92526580	92526592	92553824	16	
	4	5.12	1	92526581	92526593	92553825	16	
	4	4.65	1	92526582	92526594	92553826	16	
NBS 015-090	2	9.84	40	92526596	92526606	92553827	24	
	2	8.82	30	92526597	92526608	92553828	24	
	2	8.27	25	92526598	92526609	92553829	24	
	2	7.80	20	92526599	92526610	92553830	24	
	2	7.09	15	92526600	92526611	92553831	24	
	4	9.84	5	92526602	92526612	92553832	24	
	4	8.11	3	92526603	92526613	92553833	24	
	4	7.24	2	92526604	92526614	92553834	24	
	4	6.69	1.5	92526605	92526615	92553835	24	
	NBS 015-095	2	9.69	50	92526616	92526626	92553836	24
2		8.82	40	92526617	92526627	92553837	24	
2		7.87	30	92526618	92526628	92553838	24	
2		7.48	25	92526619	92526629	92553839	24	
2		7.01	20	92526620	92526630	92553840	24	
2		6.46	15	92526621	92526631	92553841	24	
4		9.84	7.5	92526622	92526632	92553842	24	
4		8.82	5	92526623	92526633	92553843	24	
4		7.32	3	92526624	92526634	92553844	24	
4		6.54	2	92526625	92526635	92553845	24	
NBS 020-095	2	9.45	75	92526636	92526648	92553846	32	
	2	8.90	60	92526637	92526649	92553847	32	
	2	8.58	50	92526638	92526650	92553848	32	
	2	8.03	40	92526639	92526651	92553849	32	
	2	7.17	30	92526640	92526652	92553850	32	
	2	6.77	25	92526641	92526653	92553851	32	
	2	6.30	20	92526642	92526654	92553852	32	
	2	5.75	15	92526643	92526655	92553853	32	
	4	9.45	7.5	92526644	92526656	92553854	24	
	4	8.11	5	92526645	92526657	92553855	24	
	4	6.61	3	92526646	92526658	92553856	24	
	4	5.83	2	92526647	92526659	92553857	24	
NBS 020-110	4	10.31	15	92526660	92526664	92553858	24	
	4	9.92	10	92526661	92526665	92553859	24	
	4	8.98	7.5	92526662	92526666	92553860	24	
	4	8.11	5	92526663	92526667	92553861	24	
NBS 020-135	4	13.39-13.23	25	92526668	92526673	92553884	32	
	4	12.52	20	92526669	92526674	92553885	32	
	4	11.42	15	92526670	92526675	92553886	32	
	4	10.16	10	92526671	92526676	92553887	32	
	4	9.29	7.5	92526672	92526677	92553888	32	

Pump size	Pole	Actual impeller trim [inch]	P2 [hp]	Pump material code			Impeller bore, d [mm]
				S2, S3, S4, S5, SA, SB, SC, SD	S6, S7, S8, S9, SE, SF, SG, SH	T2, TA	
				Impeller material			
				304 (1.4308)	316 (1.4408)	904 (1.4517)	
NBS 025-070	2	6.77	30	92526678	92526689	92553889	24
	2	6.61	25	92526679	92526690	92553890	24
	2	6.30	20	92526680	92526691	92553891	24
	2	5.67	15	92526681	92526692	92553892	24
	2	4.96	10	92526682	92526693	92553893	24
	2	4.57	7.5	92526683	92526694	92553895	24
	4	6.77	5	92526684	92526695	92553896	16
	4	6.61	3	92526685	92526696	92553897	16
	4	5.83	2	92526686	92526697	92553898	16
	4	5.28	1.5	92526687	92526698	92553899	16
NBS 025-095	4	4.65	1	92526688	92526699	92553900	16
	2	9.53	75	92526700	92526714	92553901	32
	2	9.37	75	92526701	92526715	92553902	32
	2	8.43	60	92526702	92526716	92553903	32
	2	7.80	50	92526703	92526717	92553904	32
	2	7.17	40	92526704	92526718	92553905	32
	2	6.30	30	92526705	92526719	92553906	32
	2	5.98	25	92526706	92526720	92553907	32
	4	9.53	10	92526707	92526721	92553908	24
	4	8.43	7.5	92526708	92526722	92553909	24
	4	7.17	5	92526709	92526723	92553910	24
	4	5.98	3	92526710	92526724	92553911	24
	6	9.53	3	92526707	92526721	92553908	24
	6	8.19	2	92526711	92526725	92553912	24
6	7.17	1.5	92526709	92526723	92553913	24	
NBS 025-110	6	6.06	1	92526713	92526727	92553914	24
	4	11.02	15	92526728	92526733	92553915	32
	4	9.45	10	92526729	92526734	92553916	32
	4	8.58	7.5	92526730	92526735	92553917	32
	6	11.02	5	92526728	92526733	92553915	32
	6	9.61	3	92526731	92526736	92553918	32
NBS 030-070	6	8.43	2	92526732	92526737	92553919	32
	2	6.85	40	92526738	92526747	92553920	24
	2	6.30	30	92526739	92526748	92553921	24
	2	5.83	25	92526740	92526749	92553922	24
	2	5.59	20	92526741	92526750	92553923	24
	2	5.04	15	92526742	92526751	92553925	24
	4	6.85	5	92526743	92526752	92553926	16
	4	5.83	3	92526744	92526753	92553927	16
	4	5.20	2	92526745	92526754	92553928	16
4	4.72	1.5	92526746	92526755	92553929	16	



Pump size	Pole	Actual impeller trim [inch]	P2 [hp]	Pump material code			Impeller bore, d [mm]		
				S2, S3, S4, S5, SA, SB, SC, SD		S6, S7, S8, S9, SE, SF, SG, SH		T2, TA	
				Impeller material					
				304 (1.4308)		316 (1.4408)		904 (1.4517)	
NBS 030-095	2	8.86	125	92526756	92526768	92553930	32		
	2	8.07	100	92526757	92526769	92553931	32		
	2	7.36	75	92526758	92526770	92553932	32		
	2	6.89	60	92526759	92526771	92553933	32		
	2	6.50	50	92526760	92526772	92553934	32		
	2	6.10	40	92526761	92526773	92553935	32		
	4	8.86	15	92526762	92526774	92553936	24		
	4	7.52	10	92526763	92526775	92553937	24		
	4	6.73	7.5	92526764	92526776	92553938	24		
	4	6.10	5	92526765	92526777	92553939	24		
	6	8.86	5	92526762	92526774	92553936	24		
	6	7.52	3	92526763	92526775	92553937	24		
	6	6.57	2	92526766	92526778	92553940	24		
	6	6.02	1.5	92526767	92526779	92553941	24		
NBS 030-110	4	10.94-10.63	20	92526780	92526785	92553942	32		
	4	9.76-9.45	15	92526781	92526786	92553943	32		
	4	8.5-8.19	10	92526782	92526787	92553944	32		
	6	10.94-10.63	7.5	92526780	92526785	92553942	32		
	6	10.47-10.16	5	92526783	92526788	92553945	32		
	6	8.58-8.27	3	92526784	92526789	92553946	32		
NBS 030-135	4	12.91	40	92526800	92526807	92553947	32		
	4	11.26	30	92526801	92526808	92553948	32		
	4	10.63	25	92526802	92526809	92553949	32		
	4	9.92	20	92526803	92526810	92553950	32		
	4	8.98	15	92526804	92526811	92553951	32		
	6	12.91	15	92526800	92526807	92553947	32		
	6	11.73	10	92526805	92526812	92553952	32		
	6	10.55	7.5	92526806	92526813	92553953	32		
	6	8.98	5	92526804	92526811	92553951	32		
NBS 040-070	2	6.77	50	92526814	92526827	92553954	24		
	2	6.30	40	92526816	92526828	92553955	24		
	2	5.75	30	92526817	92526829	92553956	24		
	2	5.51	25	92526818	92526830	92553957	24		
	2	5.12	20	92526819	92526831	92553958	24		
	4	6.85	7.5	92526820	92526832	92553959	24		
	4	6.30	5	92526821	92526833	92553960	24		
	4	5.43	3	92526822	92526834	92553961	24		
	4	5.12-4.33	2	92526823	92526835	92553962	24		
	6	6.85	2	92526820	92526832	92553959	24		
	6	6.14	1.5	92526824	92526836	92553963	24		
	6	5.51	1	92526825	92526837	92553964	24		
	6	5.12-4.8	1	92526826	92526838	92553965	24		

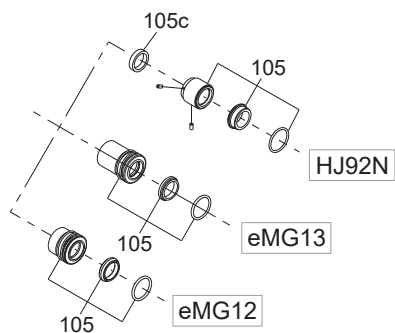
Pump size	Pole	Actual impeller trim [inch]	P2 [hp]	Pump material code			Impeller bore, d [mm]		
				S2, S3, S4, S5, SA, SB, SC, SD		S6, S7, S8, S9, SE, SF, SG, SH		T2, TA	
				Impeller material					
				304 (1.4308)		316 (1.4408)		904 (1.4517)	
NBS 040-095	2	8.35	125	92526839	92526849	92553966	32		
	2	7.72	100	92526840	92526860	92553967	32		
	2	6.93	75	92526841	92526861	92553968	32		
	2	6.46	60	92526842	92526862	92553969	32		
	4	9.37	20	92526843	92526863	92553980	24		
	4	8.35	15	92526844	92526864	92553981	24		
	4	7.09	10	92526845	92526865	92553982	24		
	4	6.38	7.5	92526846	92526866	92553983	24		
	6	9.37	7.5	92526843	92526863	92553980	24		
	6	8.98	5	92526847	92526867	92553984	24		
	6	7.09	3	92526845	92526865	92553982	24		
	6	6.30	2	92526848	92526868	92553985	24		
NBS 040-110	4	10.08	30	92526869	92526876	92553986	32		
	4	9.45	25	92526870	92526877	92553987	32		
	4	8.74	20	92526871	92526878	92553988	32		
	4	8.11	15	92526872	92526879	92553989	32		
	6	10.08	10	92526869	92526876	92553986	32		
	6	9.37	7.5	92526873	92526880	92553990	32		
	6	8.35	5	92526874	92526881	92553991	32		
	6	7.17	3	92526875	92526882	92553992	32		
NBS 040-135	4	12.83	50	92526883	92526892	92553993	32		
	4	11.81	40	92526884	92526893	92553994	32		
	4	10.94	30	92526885	92526894	92553996	32		
	4	10.24	25	92526886	92526895	92553997	32		
	4	9.29	20	92526887	92526896	92553998	32		
	6	12.60	15	92526888	92526897	92553999	32		
	6	11.18	10	92526889	92526898	92554000	32		
	6	10.16	7.5	92526890	92526900	92554001	32		
	6	8.74	5	92526891	92526901	92554002	32		
NBS 040-150	4	16.77	150	92526902	92526913	92554003	42		
	4	16.14	125	92526903	92526914	92554004	42		
	4	15.28	100	92526904	92526915	92554005	42		
	4	14.02	75	92526905	92526916	92554006	42		
	4	13.07	60	92526906	92526917	92554007	42		
	4	12.36	50	92526907	92526918	92554008	42		
	6	16.69	40	92526908	92526919	92554009	42		
	6	15.35	30	92526909	92526920	92554010	42		
	6	14.57	25	92526910	92526921	92554011	42		
	6	13.46	20	92526911	92526922	92554012	42		
	6	12.36	15	92526907	92526918	92554013	42		

Pump size	Pole	Actual impeller trim [inch]	P2 [hp]	Pump material code			Impeller bore, d [mm]
				S2, S3, S4, S5, SA, SB, SC, SD	S6, S7, S8, S9, SE, SF, SG, SH	T2, TA	
				Impeller material			
				304 (1.4308)	316 (1.4408)	904 (1.4517)	
NBS 050-070	2	6.93	75	92526924	92526937	92554014	24
	2	6.77	60	92526925	92526938	92554015	24
	2	6.46	50	92526926	92526939	92554016	24
	2	6.06	40	92526927	92526940	92554017	24
	2	5.98-4.88	30	92526928	92526941	92554018	24
	2	5.59-4.49	25	92526929	92526942	92554019	24
	4	6.93	10	92526931	92526944	92554021	24
	4	6.61	7.5	92526932	92526945	92554022	24
	4	6.06	5	92526933	92526946	92554023	24
	4	5.43-4.33	3	92526934	92526947	92554024	24
	6	6.93	3	92526931	92526944	92554021	24
	6	6.61	2	92526932	92526945	92554022	24
	6	6.06	1.5	92526933	92526946	92554023	24
	6	5.91-4.17	1	92526935	92526948	92554025	24
	6	5.28-4.17	1	92526936	92526949	92554026	24
NBS 050-095	4	9.13	30	92526950	92542914	92554027	32
	4	8.74	25	92526951	92542915	92554028	32
	4	8.19	20	92526952	92542916	92554029	32
	4	7.40	15	92526953	92542917	92554030	32
	4	6.85-6.06	10	92542912	92542918	92554031	32
	6	9.13	10	92526950	92542914	92554027	32
	6	8.74	7.5	92526951	92542915	92554028	32
	6	7.72	5	92542913	92542919	92554032	32
NBS 050-110	6	6.85-6.06	3	92542912	92542918	92554031	32
	4	10.63	40	92542920	92542927	92554033	32
	4	9.61	30	92542921	92542928	92554034	32
	4	9.06	25	92542922	92542929	92554036	32
	4	8.35	20	92542923	92542930	92554037	32
	6	10.63	15	92542920	92542927	92554033	32
	6	10.00	10	92542924	92542931	92554038	32
	6	8.90	7.5	92542925	92542932	92554039	32
NBS 050-135	6	8.11	5	92542926	92542933	92554040	32
	4	13.11-12.95	75	92542934	92542943	92554041	42
	4	12.01	60	92542935	92542944	92554042	42
	4	11.30	50	92542936	92542945	92554043	42
	4	10.59	40	92542937	92542946	92554044	42
	4	9.49	30	92542938	92542947	92554045	42
	4	8.86	25	92542939	92542948	92554046	42
	6	12.48	20	92542940	92542949	92554047	42
	6	11.30	15	92542936	92542945	92554048	42
NBS 050-150	6	9.80	10	92542942	92542951	92554049	42
	4	14.96	150	92542952	92542961	92554050	42
	4	14.09	125	92542953	92542962	92554051	42
	4	12.99	100	92542954	92542963	92554052	42
	4	11.73	75	92542955	92542964	92554053	42
	6	16.14	60	92542956	92542965	92554054	42
	6	15.59	50	92542957	92542966	92554055	42
	6	14.49	40	92542958	92542967	92554056	42
6	13.15	30	92542959	92542968	92554057	42	
6	12.28	25	92542960	92542969	92554058	42	

Pump size	Pole	Actual impeller trim [inch]	P2 [hp]	Pump material code			Impeller bore, d [mm]		
				S2, S3, S4, S5, SA, SB, SC, SD		S6, S7, S8, S9, SE, SF, SG, SH		T2, TA	
				Impeller material					
				304 (1.4308)		316 (1.4408)		904 (1.4517)	
NBS 060-095	4	9.53	40	92542970	92542978	92554059	32		
	4	8.90	30	92542971	92542979	92554060	32		
	4	8.43	25	92542972	92542980	92554061	32		
	4	7.95	20	92542973	92542981	92554062	32		
	4	7.32	15	92542974	92542982	92554063	32		
	6	9.53	15	92542970	92542978	92554059	32		
	6	9.21	10	92542975	92542983	92554064	32		
	6	8.50	7.5	92542976	92542984	92554065	32		
	6	7.56	5	92542977	92542985	92554066	32		
NBS 060-110	4	10.75	60	92542986	92542992	92554067	42		
	4	10.20	50	92542987	92542993	92554068	42		
	4	9.57	40	92542988	92542994	92554069	42		
	4	8.78	30	92542989	92542995	92554070	42		
	6	10.75	20	92542986	92542992	92554067	42		
	6	10.20	15	92542987	92542993	92554068	42		
	6	9.17	10	92542990	92542996	92554071	42		
	6	8.39	7.5	92542991	92542997	92554072	42		
NBS 060-135	4	12.91-12.76	125	92542998	92543009	92554073	42		
	4	12.24	100	92542999	92543010	92554074	42		
	4	11.22	75	92543000	92543011	92554075	42		
	4	10.35	60	92543001	92543012	92554076	42		
	4	9.96	50	92543002	92543013	92554077	42		
	4	9.25	40	92543003	92543014	92554078	42		
	6	12.48-12.32	30	92543004	92543015	92554079	42		
	6	11.54	25	92543005	92543016	92554080	42		
	6	10.75	20	92543006	92543017	92554081	42		
	6	9.80	15	92543007	92543018	92554082	42		
	6	8.70	10	92543008	92543019	92554083	42		
NBS 060-150	4	15.83	250	92543020	92543028	92554084	48		
	4	14.80	200	92543021	92543029	92554085	48		
	4	12.83	150	92543022	92543030	92554086	48		
	4	11.97	125	92543023	92543031	92554087	48		
	6	16.93	100	92543024	92543032	92554088	48		
	6	16.06	75	92557190	92557191	92557192	48		
	6	14.88	60	92543025	92543033	92554089	48		
	6	13.70	50	92543026	92543034	92554090	48		
	6	12.44	40	92543027	92543035	92554091	48		
NBS 080-135	4	12.60	150	92543036	92543046	92554092	42		
	4	11.89	125	92543037	92543047	92554093	42		
	4	11.26	100	92543038	92543048	92554094	42		
	4	10.31	75	92543039	92543049	92554095	42		
	4	9.84	60	92543040	92543050	92554096	42		
	6	13.15	50	92543041	92543051	92554097	42		
	6	12.28	40	92543042	92543052	92554098	42		
	6	11.26	30	92543038	92543048	92554094	42		
	6	10.79	25	92543043	92543053	92554099	42		
	6	10.16	20	92543044	92543054	92554100	42		
6	9.29	15	92543045	92543055	92554101	42			

Pump size	Pole	Actual impeller trim [inch]	P2 [hp]	Pump material code			Impeller bore, d [mm]
				S2, S3, S4, S5, SA, SB, SC, SD	S6, S7, S8, S9, SE, SF, SG, SH	T2, TA	
				Impeller material			
				304 (1.4308)	316 (1.4408)	904 (1.4517)	
NBS 080-150	4	15.59	250	92543056	92543062	92554102	48
	4	14.25	200	92543057	92543063	92554103	48
	4	12.99	150	92543058	92543064	92554104	48
	4	12.20	125	92543059	92543065	92554105	48
	6	15.59	75	92543056	92543062	92554102	48
	6	14.25	60	92543057	92543063	92554103	48
	6	13.46	50	92543060	92543066	92554106	48
	6	12.60	40	92543061	92543067	92554107	48
NBS 100-150	4	14.76	250	92543068	92543075	92554108	48
	4	13.66	200	92543069	92543076	92554109	48
	4	12.48	150	92543070	92543077	92554110	48
	6	16.34	100	92543071	92543078	92554111	48
	6	14.92	75	92543072	92543079	92554112	48
	6	13.82	60	92543073	92543080	92554113	48
	6	12.95	50	92543074	92543081	92554114	48

## 2.5 Spare/bulk - Shaft seal and spacer



TM078775

### Spare, shaft seal

105: 1 x shaft seal

### Bulk, shaft seal

105: 5 x shaft seal

### Spare, spacer

105c 1 x spacer

NBS/NBSE pump size	Pole			Seal inner dia. [mm]	Installed type	Shaft seal (pos. 105)					
	2	4	6			BQQE		BQQV		BAQE	
						Spare (1 pcs)	38	eMG13	Bulk (5 pcs)	Spare (1 pcs)	Bulk (5 pcs)
012-070	•			28	eMG13	99884645	99380916	98434905	92514269	96488302	99380919
		•		28	eMG13	99884645	99380916	98434905	92514269	96488302	99380919
015-070	•			28	eMG13	99884645	99380916	98434905	92514269	96488302	99380919
		•		28	eMG13	99884645	99380916	98434905	92514269	96488302	99380919
015-090	•			38	eMG13	98434906	92514302	98434908	92514301	96537605	99615415
		•		28	eMG13	99884645	99380916	98434905	92514269	96488302	99380919
015-095	•			38	eMG13	98434906	92514302	98434908	92514301	96537605	99615415
		•		28	eMG13	99884645	99380916	98434905	92514269	96488302	99380919
020-095	•			38	eMG12	97904623	92526480	92526462	92526481	92526463	92526482
		•		28	eMG13	99884645	99380916	98434905	92514269	96488302	99380919
020-110		•		28	eMG13	99884645	99380916	98434905	92514269	96488302	99380919
020-135		•		38	eMG13	98434906	92514302	98434908	92514301	96537605	99615415
025-070	•			28	eMG13	99884645	99380916	98434905	92514269	96488302	99380919
		•		28	eMG13	99884645	99380916	98434905	92514269	96488302	99380919
025-095	•			38	eMG12	97904623	92526480	92526462	92526481	92526463	92526482
		•	•	28	eMG13	99884645	99380916	98434905	92514269	96488302	99380919
025-110		•	•	38	eMG13	98434906	92514302	98434908	92514301	96537605	99615415
030-070	•			28	eMG13	99884645	99380916	98434905	92514269	96488302	99380919
		•		28	eMG13	99884645	99380916	98434905	92514269	96488302	99380919
030-095	•			38	eMG13	98434906	92514302	98434908	92514301	96537605	99615415
		•	•	28	eMG13	99884645	99380916	98434905	92514269	96488302	99380919
030-110		•	•	38	eMG13	98434906	92514302	98434908	92514301	96537605	99615415
030-135		•	•	38	eMG13	98434906	92514302	98434908	92514301	96537605	99615415
040-070	•			38	eMG13	98434906	92514302	98434908	92514301	96537605	99615415
		•	•	28	eMG13	99884645	99380916	98434905	92514269	96488302	99380919
040-095	•			38	eMG13	98434906	92514302	98434908	92514301	96537605	99615415
		•	•	28	eMG13	99884645	99380916	98434905	92514269	96488302	99380919
040-110		•	•	38	eMG13	98434906	92514302	98434908	92514301	96537605	99615415
040-135		•	•	38	eMG13	98434906	92514302	98434908	92514301	96537605	99615415
040-150		•	•	48	eMG13	98434909	92514334	98434941	92514333	96306472	99615417

NBS/NBSE pump size	Pole			Seal inner dia. [mm]	Installed type	Shaft seal (pos. 105)					
						BQQE		BQQV		BAQE	
	2	4	6			Spare (1 pcs)	38	eMG13	Bulk (5 pcs)	Spare (1 pcs)	Bulk (5 pcs)
	050-070	•					38	eMG13	98434906	92514302	98434908
		•	•	28	eMG13	99884645	99380916	98434905	92514269	96488302	99380919
050-095		•	•	48	eMG13	98434909	92514334	98434941	92514333	96306472	99615417
050-110		•	•	38	eMG13	98434906	92514302	98434908	92514301	96537605	99615415
050-135		•	•	48	eMG13	98434909	92514334	98434941	92514333	96306472	99615417
050-150		•	•	48	eMG13	98434909	92514334	98434941	92514333	96306472	99615417
060-095		•	•	48	eMG13	98434909	92514334	98434941	92514333	96306472	99615417
060-110		•	•	48	eMG13	98434909	92514334	98434941	92514333	96306472	99615417
060-135		•	•	48	eMG13	98434909	92514334	98434941	92514333	96306472	99615417
060-150		•	•	55	eMG13	98434943	92514388	98434944	92514387	96306475	99707259
080-135		•	•	48	eMG13	98434909	92514334	98434941	92514333	96306472	99615417
080-150		•	•	55	eMG13	98434943	92514388	98434944	92514387	96306475	99707259
100-150		•	•	55	eMG13	98434943	92514388	98434944	92514387	96306475	99707259

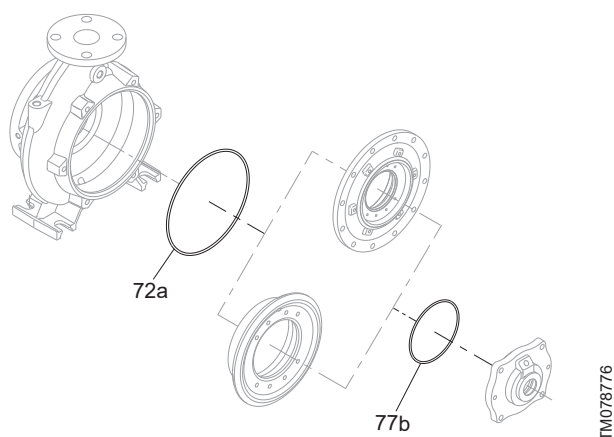
Pump size	Pole			Seal inner dia. [mm]	Installed type	Pump rated pressure, see pos.10 in type key							
						High pressure (Class 300) = code 7							
	2	4	6			Shaft seal (pos. 105)			Spacer (pos. 105c)				
						DQQE	DAQF	DQQE-NSF		1.4401	1.4462		
			Spare (1 pcs)	Bulk co (5 pcs)	Spare (1 pcs)	Bulk (5 pcs)	Spare (1 pcs)	Bulk (5 pcs)	Spare	Spare			
NBS 012-070	•			28	HJ92N	97769895	92514258	96548355	92514233	92526474	92526491	96938597	96938598
		•		28	HJ92N	97769895	92514258	96548355	92514233	92526474	92526491	96938597	96938598
NBS 015-070	•			28	HJ92N	97769895	92514258	96548355	92514233	92526474	92526491	96938597	96938598
		•		28	HJ92N	97769895	92514258	96548355	92514233	92526474	92526491	96938597	96938598
NBS 015-090	•			38	HJ92N	97769897	92514291	96548359	92514274	92526475	92526492	96938599	96938600
		•		28	HJ92N	97769895	92514258	96548355	92514233	92526474	92526491	96938597	96938598
NBS 015-095	•			38	HJ92N	97769897	92514291	96548359	92514274	92526475	92526492	96938599	96938600
		•		28	HJ92N	97769895	92514258	96548355	92514233	92526474	92526491	96938597	96938598
NBS 020-095	•			38	HJ92N	97769897	92514291	96548359	92514274	92526476	92526493	1)	1)
		•		28	HJ92N	97769895	92514258	96548355	92514233	92526474	92526491	96938597	96938598
NBS 020-110		•		28	HJ92N	97769895	92514258	96548355	92514233	92526474	92526491	96938597	96938598
NBS 020-135		•		38	HJ92N	97769897	92514291	96548359	92514274	92526475	92526492	96938599	96938600
NBS 025-070	•			28	HJ92N	97769895	92514258	96548355	92514233	92526474	92526491	96938597	96938598
		•		28	HJ92N	97769895	92514258	96548355	92514233	92526474	92526491	96938597	96938598
NBS 025-095	•			38	HJ92N	97769897	92514291	96548359	92514274	92526476	92526493	1)	1)
		•	•	28	HJ92N	97769895	92514258	96548355	92514233	92526474	92526491	96938597	96938598
NBS 025-110		•	•	38	HJ92N	97769897	92514291	96548359	92514274	92526475	92526492	96938599	96938600
NBS 030-070	•			28	HJ92N	97769895	92514258	96548355	92514233	92526474	92526491	96938597	96938598
		•		28	HJ92N	97769895	92514258	96548355	92514233	92526474	92526491	96938597	96938598
NBS 030-095	•			38	HJ92N	97769897	92514291	96548359	92514274	92526475	92526492	96938599	96938600
		•	•	28	HJ92N	97769895	92514258	96548355	92514233	92526474	92526491	96938597	96938598
NBS 030-110		•	•	38	HJ92N	97769897	92514291	96548359	92514274	92526475	92526492	96938599	96938600
NBS 030-135		•	•	38	HJ92N	97769897	92514291	96548359	92514274	92526475	92526492	96938599	96938600
NBS 040-070	•			38	HJ92N	97769897	92514291	96548359	92514274	92526475	92526492	96938599	96938600
		•	•	28	HJ92N	97769895	92514258	96548355	92514233	92526474	92526491	96938597	96938598
NBS 040-095	•			38	HJ92N	97769897	92514291	96548359	92514274	92526475	92526492	96938599	96938600
		•	•	28	HJ92N	97769895	92514258	96548355	92514233	92526474	92526491	96938597	96938598
NBS 040-110		•	•	38	HJ92N	97769897	92514291	96548359	92514274	92526475	92526492	96938599	96938600
NBS 040-135		•	•	38	HJ92N	97769897	92514291	96548359	92514274	92526475	92526492	96938599	96938600
NBS 040-150		•	•	48	HJ92N	97685509	92514323	96658796	92514307	92526477	92526494	96938602	96938603

Pump size	Pole		Seal inner dia. [mm]	Pump rated pressure, see pos.10 in type key								
				High pressure (Class 300) = code 7								
	Installed type	Shaft seal (pos. 105)						Spacer (pos. 105c)				
		DQQE		DAQF		DQQE-NSF		1.4401	1.4462			
2 4 6	Spare (1 pcs)	Bulk co (5 pcs)	Spare (1 pcs)	Bulk (5 pcs)	Spare (1 pcs)	Bulk (5 pcs)	Spare	Spare				
NBS 050-070	•		38	HJ92N	97769897	92514291	96548359	92514274	92526475	92526492	96938599	96938600
	• •		28	HJ92N	97769895	92514258	96548355	92514233	92526474	92526491	96938597	96938598
NBS 050-095	• •		48	HJ92N	97685509	92514323	96658796	92514307	92526477	92526494	96938602	96938603
NBS 050-110	• •		38	HJ92N	97769897	92514291	96548359	92514274	92526475	92526492	96938599	96938600
NBS 050-135	• •		48	HJ92N	97685509	92514323	96658796	92514307	92526477	92526494	96938602	96938603
NBS 050-150	• •		48	HJ92N	97685509	92514323	96658796	92514307	92526477	92526494	96938602	96938603
NBS 060-095	• •		48	HJ92N	97685509	92514323	96658796	92514307	92526477	92526494	96938602	96938603
NBS 060-110	• •		48	HJ92N	97685509	92514323	96658796	92514307	92526477	92526494	96938602	96938603
NBS 060-135	• •		48	HJ92N	97685509	92514323	96658796	92514307	92526477	92526494	96938602	96938603
NBS 060-150	• •		55	HJ92N	97685596	92514356	96658807	92514335	92526479	92526495	96938604	96938605
NBS 080-135	• •		48	HJ92N	97685509	92514323	96658796	92514307	92526477	92526494	96938602	96938603
NBS 080-150	• •		55	HJ92N	97685596	92514356	96658807	92514335	92526479	92526495	96938604	96938605
NBS 100-150	• •		55	HJ92N	97685596	92514356	96658807	92514335	92526479	92526495	96938604	96938605

1) The spacer is not required for this pump size.



## 2.6 Spare/bulk - O-ring for cover and seal cover



**Spare, O-ring (connection between cover and pump housing)**

72a: 1 x O-ring

**Spare, O-ring (connection between seal cover and cover)**

77b: 1 x O-ring

Pump size	Pole		O-ring (pos. 72a)						
			Spare (1 pcs)			Bulk (5 pcs)			
			Material			Material			
	2	4	6	EPDM	FKM (Viton)	EPDM-NSF	EPDM	FKM (Viton)	EPDM-NSF
NBS 012-070	•			97757659	92526498	92526500	92526508	92526514	92526520
		•		97757659	92526498	92526500	92526508	92526514	92526520
NBS 015-070	•			97757659	92526498	92526500	92526508	92526514	92526520
		•		97757659	92526498	92526500	92526508	92526514	92526520
NBS 015-090	•			97757672	97757699	92526501	92526509	92526515	92526521
		•		97757672	97757699	92526501	92526509	92526515	92526521
NBS 015-095	•			97757672	97757699	92526501	92526509	92526515	92526521
		•		97757672	97757699	92526501	92526509	92526515	92526521
NBS 020-095	•			97757672	97757699	92526501	92526509	92526515	92526521
		•		97757672	97757699	92526501	92526509	92526515	92526521
NBS 020-110		•		97757672	97757699	92526501	92526509	92526515	92526521
NBS 020-135		•		97757675	97757705	92526503	92526511	92526517	92526523
NBS 025-070	•			97757659	92526498	92526500	92526508	92526514	92526520
		•		97757659	92526498	92526500	92526508	92526514	92526520
NBS 025-095	•			92526496	92526497	92526499	92526507	92526513	92526519
		•	•	92526496	92526497	92526499	92526507	92526513	92526519
NBS 025-110		•	•	97757673	97757703	92526502	92526510	92526516	92526522
NBS 030-070	•			97757659	92526498	92526500	92526508	92526514	92526520
		•		97757659	92526498	92526500	92526508	92526514	92526520
NBS 030-095	•			92526496	92526497	92526499	92526507	92526513	92526519
		•	•	92526496	92526497	92526499	92526507	92526513	92526519
NBS 030-110		•	•	97757673	97757703	92526502	92526510	92526516	92526522
NBS 030-135		•	•	97757675	97757705	92526503	92526511	92526517	92526523
NBS 040-070	•			97757659	92526498	92526500	92526508	92526514	92526520
		•	•	97757659	92526498	92526500	92526508	92526514	92526520
NBS 040-095	•			92526496	92526497	92526499	92526507	92526513	92526519
		•	•	92526496	92526497	92526499	92526507	92526513	92526519
NBS 040-110		•	•	97757673	97757703	92526502	92526510	92526516	92526522
NBS 040-135		•	•	97757675	97757705	92526503	92526511	92526517	92526523
NBS 040-150		•	•	97757676	97757707	92526504	92526512	92526518	92526524

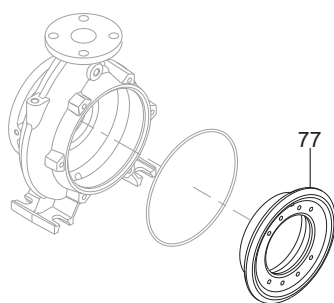
Pump size	Pole		O-ring (pos. 72a)						
			Spare (1 pcs)			Bulk (5 pcs)			
			Material			Material			
	2	4	6	EPDM	FKM (Viton)	EPDM-NSF	EPDM	FKM (Viton)	EPDM-NSF
NBS 050-070	•			97757659	92526498	92526500	92526508	92526514	92526520
		•	•	97757659	92526498	92526500	92526508	92526514	92526520
NBS 050-095		•	•	92526496	92526497	92526499	92526507	92526513	92526519
NBS 050-110		•	•	97757673	97757703	92526502	92526510	92526516	92526522
NBS 050-135		•	•	97757675	97757705	92526503	92526511	92526517	92526523
NBS 050-150		•	•	97757676	97757707	92526504	92526512	92526518	92526524
NBS 060-095		•	•	92526496	92526497	92526499	92526507	92526513	92526519
NBS 060-110		•	•	97757673	97757703	92526502	92526510	92526516	92526522
NBS 060-135		•	•	97757675	97757705	92526503	92526511	92526517	92526523
NBS 060-150		•	•	97757676	97757707	92526504	92526512	92526518	92526524
NBS 080-135		•	•	97757675	97757705	92526503	92526511	92526517	92526523
NBS 080-150		•	•	97757676	97757707	92526504	92526512	92526518	92526524
NBS 100-150		•	•	97757676	97757707	92526504	92526512	92526518	92526524

Pump size	Pole		O-ring (pos. 77b)						
			Spare (1 pcs)			Bulk (5 pcs)			
			Material			Material			
	2	4	6	EPDM	FKM (Viton)	EPDM-NSF	EPDM	FKM (Viton)	EPDM-NSF
NBS 012-070	•			97761203	97761204	92526505	92526525	92526527	92526529
		•		97761203	97761204	92526505	92526525	92526527	92526529
NBS 015-070	•			97761203	97761204	92526505	92526525	92526527	92526529
		•		97761203	97761204	92526505	92526525	92526527	92526529
NBS 015-090	•			97761203	97761204	92526505	92526525	92526527	92526529
		•		97761203	97761204	92526505	92526525	92526527	92526529
NBS 015-095	•			97761203	97761204	92526505	92526525	92526527	92526529
		•		97761203	97761204	92526505	92526525	92526527	92526529
NBS 020-095	•			97761203	97761204	92526505	92526525	92526527	92526529
		•		97761203	97761204	92526505	92526525	92526527	92526529
NBS 020-110		•		97761203	97761204	92526505	92526525	92526527	92526529
NBS 020-135		•		97761203	97761204	92526505	92526525	92526527	92526529
NBS 025-070	•			97761203	97761204	92526505	92526525	92526527	92526529
		•		97761203	97761204	92526505	92526525	92526527	92526529
NBS 025-095	•			97761203	97761204	92526505	92526525	92526527	92526529
		•	•	97761203	97761204	92526505	92526525	92526527	92526529
NBS 025-110		•	•	97761203	97761204	92526505	92526525	92526527	92526529
NBS 030-070	•			97761203	97761204	92526505	92526525	92526527	92526529
		•		97761203	97761204	92526505	92526525	92526527	92526529
NBS 030-095	•			97761203	97761204	92526505	92526525	92526527	92526529
		•	•	97761203	97761204	92526505	92526525	92526527	92526529
NBS 030-110		•	•	97761203	97761204	92526505	92526525	92526527	92526529
NBS 030-135		•	•	97761203	97761204	92526505	92526525	92526527	92526529
NBS 040-070	•			97761203	97761204	92526505	92526525	92526527	92526529
		•	•	97761203	97761204	92526505	92526525	92526527	92526529
NBS 040-095	•			97761203	97761204	92526505	92526525	92526527	92526529
		•	•	97761203	97761204	92526505	92526525	92526527	92526529
NBS 040-110		•	•	97761203	97761204	92526505	92526525	92526527	92526529
NBS 040-135		•	•	97761203	97761204	92526505	92526525	92526527	92526529
NBS 040-150		•	•	97757693	97757714	92526506	92526526	92526528	92526530
NBS 050-070	•			97761203	97761204	92526505	92526525	92526527	92526529
		•	•	97761203	97761204	92526505	92526525	92526527	92526529
NBS 050-095		•	•	97761203	97761204	92526505	92526525	92526527	92526529

Pump size	Pole			O-ring (pos. 77b)					
				Spare (1 pcs)			Bulk (5 pcs)		
	Material			Material					
	2	4	6	EPDM	FKM (Viton)	EPDM-NSF	EPDM	FKM (Viton)	EPDM-NSF
NBS 050-110	•	•		97761203	97761204	92526505	92526525	92526527	92526529
NBS 050-135	•	•		97757693	97757714	92526506	92526526	92526528	92526530
NBS 050-150	•	•		97757693	97757714	92526506	92526526	92526528	92526530
NBS 060-095	•	•		97761203	97761204	92526505	92526525	92526527	92526529
NBS 060-110	•	•		97757693	97757714	92526506	92526526	92526528	92526530
NBS 060-135	•	•		97757693	97757714	92526506	92526526	92526528	92526530
NBS 060-150	•	•		97757693	97757714	92526506	92526526	92526528	92526530
NBS 080-135	•	•		97757693	97757714	92526506	92526526	92526528	92526530
NBS 080-150	•	•		97757693	97757714	92526506	92526526	92526528	92526530
NBS 100-150	•	•		97757693	97757714	92526506	92526526	92526528	92526530

## 2.7 Kit/spare - Cover

### Insert cover

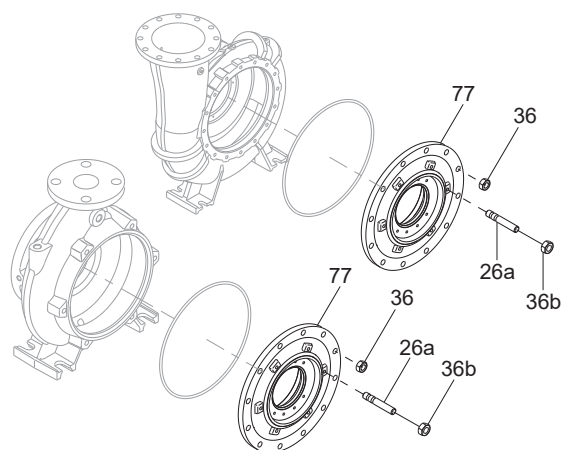


#### Spare, insert cover

77: 1 x cover

When ordering the kit or spare for cover, please check the original surface color of wetted parts and approval mark on the pump nameplate, to identify the correct service kit or spare.

### Bolt-in cover



#### Kit, bolt-in cover

77: 1 x cover

26a: Needed number of stay bolts

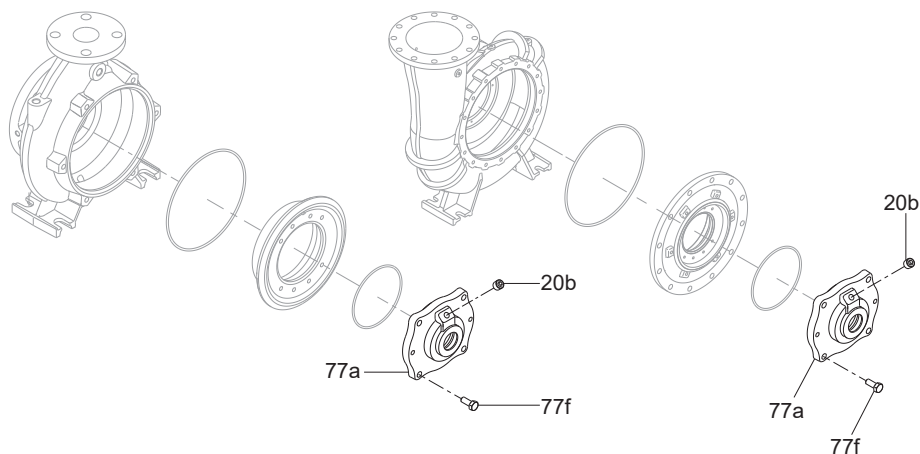
36: Needed number of hex nuts

36b: Needed number of hex nuts

Pump size	Check original surface color of wetted parts and approval mark			Black primer No approval mark		Sand blasted metal NSF compliant		Green coating NSF compliant	
	Pole	Spare	Kit	Spare	Kit	Spare	Kit	Spare	Kit
	2 4 6	Insert	Bolt-in type	Insert	Bolt-in	Insert	Bolt-in	Insert	Bolt-in
NBS 012-070	•	92521768	-	92521768	-	92521768	-	92526445	-
	•	92521768	-	92521768	-	92521768	-	92526445	-
NBS 015-070	•	92521768	-	92521768	-	92521768	-	92526445	-
	•	92521768	-	92521768	-	92521768	-	92526445	-
NBS 015-090	•	-	92521585	-	92521585	-	92521585	-	92526460
	•	-	92521585	-	92521585	-	92521585	-	92526460
NBS 015-095	•	-	92521585	-	92521585	-	92521585	-	92526460
	•	-	92521585	-	92521585	-	92521585	-	92526460
NBS 020-095	•	-	92521584	-	92521584	-	92521584	-	92526458
	•	-	92521585	-	92521585	-	92521585	-	92526460
NBS 020-110	•	-	92521585	-	92521585	-	92521585	-	92526460
NBS 020-135	•	-	92521586	-	92521586	-	92521586	-	92526461
NBS 025-070	•	92521768	-	92521768	-	92521768	-	92526445	-
	•	92521768	-	92521768	-	92521768	-	92526445	-
NBS 025-095	•	-	92521579	-	92521579	-	92521579	-	92526452
	• •	-	92521580	-	92521580	-	92521580	-	92526454
NBS 025-110	• •	-	92521582	-	92521582	-	92521582	-	92526456
NBS 030-070	•	92521768	-	92521768	-	92521768	-	92526445	-
	•	92521768	-	92521768	-	92521768	-	92526445	-
NBS 030-095	•	-	92521579	-	92521579	-	92521579	-	92526452
	• •	-	92521580	-	92521580	-	92521580	-	92526454
NBS 030-110	• •	-	92521582	-	92521582	-	92521582	-	92526456
NBS 030-135	• •	-	92521583	-	92521583	-	92521583	-	92526457
NBS 040-070	•	92521768	-	92521768	-	92521768	-	92526445	-
	• •	92521768	-	92521768	-	92521768	-	92526445	-
NBS 040-095	•	-	92521579	-	92521579	-	92521579	-	92526452
	• •	-	92521580	-	92521580	-	92521580	-	92526454
NBS 040-110	• •	-	92521582	-	92521582	-	92521582	-	92526456
NBS 040-135	• •	-	92521583	-	92521583	-	92521583	-	92526457
NBS 040-150	• •	-	92521576	-	92521576	-	92521576	-	92526449

Pump size	Check original surface color of wetted parts and approval mark			Black primer No approval mark		Sand blasted metal NSF compliant		Green coating NSF compliant	
	Pole			Spare	Kit	Spare	Kit	Spare	Kit
	2	4	6	Insert	Bolt-in type	Insert	Bolt-in	Insert	Bolt-in
NBS 050-070	•			92521768	-	92521768	-	92526445	-
	•	•		92521768	-	92521768	-	92526445	-
NBS 050-095	•	•		-	92521581	-	92521581	-	92526455
NBS 050-110	•	•		-	92521582	-	92521582	-	92526456
NBS 050-135	•	•		-	92521574	-	92521574	-	92526446
NBS 050-150	•	•		-	92521576	-	92521576	-	92526449
NBS 060-095	•	•		-	92521581	-	92521581	-	92526455
NBS 060-110	•	•		92521769	-	92521769	-	92526444	-
NBS 060-135	•	•		-	92521575	-	92521575	-	92526448
NBS 060-150	•	•		-	92521577	-	92521577	-	92526450
NBS 080-135	•	•		-	92521575	-	92521575	-	92526448
NBS 080-150	•	•		-	92521578	-	92521578	-	92526451
NBS 100-150	•	•		-	92521578	-	92521578	-	92526451

## 2.8 Kit - Seal cover



TM078541

**Kit, seal cover**

77a: 1 x seal cover

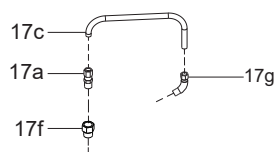
20b: 1 x plug

77f: 4 x hex head screw

Pump size	Check original surface color of wetted parts and approval mark			Black primer No approval mark	Sand blasted metal NSF compliant	Green coating NSF compliant
	Pole					
	2	4	6			
NBS 012-070	•			92521659	92521665	92521662
		•		92521659	92521665	92521662
NBS 015-070	•			92521668	92521674	92521671
		•		92521659	92521665	92521662
NBS 015-090	•			92521704	92521710	92521707
		•		92521668	92521674	92521671
NBS 015-095	•			92521704	92521710	92521707
		•		92521668	92521674	92521671
NBS 020-095	•			92521686	92521692	92521689
		•		92521668	92521674	92521671
NBS 020-110		•		92521668	92521674	92521671
			•	92521668	92521674	92521671
NBS 020-135			•	92521695	92521701	92521698
				92521668	92521674	92521671
NBS 025-070	•			92521668	92521674	92521671
		•		92521659	92521665	92521662
NBS 025-095	•			92521686	92521692	92521689
		•	•	92521668	92521674	92521671
NBS 025-110		•	•	92521695	92521701	92521698
				92521668	92521674	92521671
NBS 030-070	•			92521668	92521674	92521671
		•		92521659	92521665	92521662
NBS 030-095	•			92521677	92521683	92521680
		•	•	92521668	92521674	92521671
NBS 030-110		•	•	92521695	92521701	92521698
				92521695	92521701	92521698
NBS 030-135		•	•	92521695	92521701	92521698
				92521668	92521674	92521671
NBS 040-070	•			92521704	92521710	92521707
		•	•	92521668	92521674	92521671
NBS 040-095	•			92521677	92521683	92521680
		•	•	92521668	92521674	92521671
NBS 040-110		•	•	92521695	92521701	92521698
				92521695	92521701	92521698
NBS 040-135		•	•	92521695	92521701	92521698
				92521713	92521719	92521716
NBS 040-150		•	•	92521704	92521710	92521707
				92521668	92521674	92521671
NBS 050-070	•			92521704	92521710	92521707
		•	•	92521668	92521674	92521671

Check original surface color of wetted parts and approval mark			Black primer No approval mark	Sand blasted metal NSF compliant	Green coating NSF compliant
Pump size	Pole				
	2	4 6			
NBS 050-095	•	•	92521722	92521728	92521725
NBS 050-110	•	•	92521695	92521701	92521698
NBS 050-135	•	•	92521713	92521719	92521716
NBS 050-150	•	•	92521713	92521719	92521716
NBS 060-095	•	•	92521722	92521728	92521725
NBS 060-110	•	•	92521713	92521719	92521716
NBS 060-135	•	•	92521713	92521719	92521716
NBS 060-150	•	•	92521731	92521737	92521734
NBS 080-135	•	•	92521713	92521719	92521716
NBS 080-150	•	•	92521731	92521737	92521734
NBS 100-150	•	•	92521731	92521737	92521734

## 2.9 Kit - Flushing line



TM078549

### Kit, flushing line

17c: 1 x tube

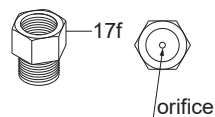
17a: 1 x connector, 1/4" tube x 1/4" NPT

17f: 1 x flow control adapter

17g: 1 x connector, elbow, 45, 1/4" tube x 1/8" NPT

Kit number	Size and tubing type	Tube length
92521740	Kit, small - nylon	24 Inch
92521741	Kit, large - nylon	36 Inch
92521742	Kit, small - copper	24 Inch
92521743	Kit, large - copper	36 Inch
92521744	Kit, small - stainless steel	24 Inch
92521745	Kit, large - stainless steel	36 Inch

## 2.10 Spare - Flow control adapter



TM079087

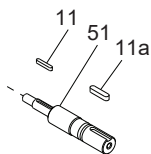
### Kit, flushing line

17f: 1 x flow control adapter

Spare number: 99857726



## 2.11 Kit - Shaft



TM078543

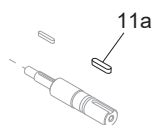
**Kit, shaft**

- 51: 1 x pump shaft
- 11: 1 x key (impeller)
- 11a: 1 x key (coupling)

Pump size	Pole			Material code in type key				
				S2, S6, SA, SE	S3, S7, SB, SF	S4, S8, SC, SG	S5, S9, SD, SH	
	2	4	6	Shaft material				
			1.4021/1.4034	1.4301	1.4401	1.4462		
NBS 012-070	•			92521607	92521605	92521606	92521608	
		•		92521607	92521605	92521606	92521608	
NBS 015-070	•			92521612	92521609	92521610	92521611	
		•		92521607	92521605	92521606	92521608	
NBS 015-090	•			92521615	92521613	92521614	92521616	
		•		92521612	92521609	92521610	92521611	
NBS 015-095	•			92521615	92521613	92521614	92521616	
		•		92521612	92521609	92521610	92521611	
NBS 020-095	•			92521619	92521617	92521618	92521620	
		•		92521612	92521609	92521610	92521611	
NBS 020-110		•		92521612	92521609	92521610	92521611	
NBS 020-135		•		92521623	92521621	92521622	92521624	
NBS 025-070	•			92521612	92521609	92521610	92521611	
		•		92521607	92521605	92521606	92521608	
NBS 025-095	•			92521619	92521617	92521618	92521620	
		•	•	92521612	92521609	92521610	92521611	
NBS 025-110		•	•	92521623	92521621	92521622	92521624	
NBS 030-070	•			92521612	92521609	92521610	92521611	
		•		92521607	92521605	92521606	92521608	
NBS 030-095	•			92521623	92521621	92521622	92521624	
		•	•	92521612	92521609	92521610	92521611	
NBS 030-110		•	•	92521623	92521621	92521622	92521624	
NBS 030-135		•	•	92521623	92521621	92521622	92521624	
NBS 040-070	•			92521615	92521613	92521614	92521616	
		•	•	92521612	92521609	92521610	92521611	
NBS 040-095	•			92521623	92521621	92521622	92521624	
		•	•	92521612	92521609	92521610	92521611	
NBS 040-110		•	•	92521623	92521621	92521622	92521624	
NBS 040-135		•	•	92521623	92521621	92521622	92521624	
NBS 040-150		•	•	92521631	92521629	92521630	92521632	
NBS 050-070	•			92521615	92521613	92521614	92521616	
		•	•	92521612	92521609	92521610	92521611	
NBS 050-095		•	•	92521627	92521625	92521626	92521628	
NBS 050-110		•	•	92521623	92521621	92521622	92521624	
NBS 050-135		•	•	92521631	92521629	92521630	92521632	
NBS 050-150		•	•	92521631	92521629	92521630	92521632	
NBS 060-095		•	•	92521627	92521625	92521626	92521628	
NBS 060-110		•	•	92521631	92521629	92521630	92521632	
NBS 060-135		•	•	92521631	92521629	92521630	92521632	

Pump size	Pole			Material code in type key			
				S2, S6, SA, SE	S3, S7, SB, SF	S4, S8, SC, SG	S5, S9, SD, SH
				Shaft material			
	2	4	6	1.4021/1.4034	1.4301	1.4401	1.4462
NBS 060-150	•	•		92521635	92521633	92521634	92521636
NBS 080-135	•	•		92521631	92521629	92521630	92521632
NBS 080-150	•	•		92521635	92521633	92521634	92521636
NBS 100-150	•	•		92521635	92521633	92521634	92521636

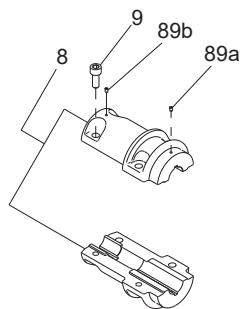
## 2.12 Spare - Key, coupling (pump side)



TM078810

Spare, key			
11a: 1 x key			
Pump size	Pole		Spare number
	2	4 6	
NBS 012-070	•		92521498
		•	92521498
NBS 015-070	•		92521498
		•	92521498
NBS 015-090	•		92521499
		•	92521498
NBS 015-095	•		92521499
		•	92521498
NBS 020-095	•		92521499
		•	92521498
NBS 020-110		•	92521498
NBS 020-135		•	92521499
NBS 025-070	•		92521498
		•	92521498
NBS 025-095	•		92521499
		• •	92521498
NBS 025-110		• •	92521499
NBS 030-070	•		92521498
		•	92521498
NBS 030-095	•		92521499
		• •	92521498
NBS 030-110		• •	92521499
NBS 030-135		• •	92521499
NBS 040-070	•		92521499
		• •	92521498
NBS 040-095	•		92521499
		• •	92521498
NBS 040-110		• •	92521499
NBS 040-135		• •	92521499
NBS 040-150		• •	92521500
NBS 050-070	•		92521499
		• •	92521498
NBS 050-095		• •	92521500
NBS 050-110		• •	92521499
NBS 050-135		• •	92521500
NBS 050-150		• •	92521500
NBS 060-095		• •	92521500
NBS 060-110		• •	92521500
NBS 060-135		• •	92521500
NBS 060-150		• •	92521500
NBS 080-135		• •	92521500
NBS 080-150		• •	92521500
NBS 100-150		• •	92521500

## 2.13 Kit - Split coupling



TM078544

### Kit, split coupling

- 8: 2 x coupling half
- 9: 4 or 6 x coupling screw
- 89a: 1 x set screw
- 89b: 1 x set screw

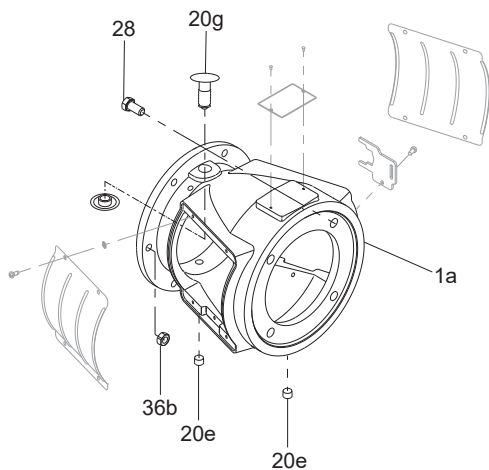
Pole	Baldor Motor frame size																																		
	143TC	145TC	182TC	184TC	213TC	215TC	254TC	256TC	284TC	284TSC	286TC	286TSC	324TC	324TSC	326TC	326TSC	364TC	364TSC	365TC	365TSC	404TC	404TSC	405TC	405TSC	444TC	444TSC	445TC	445TSC	447TC						
2	1.5	2	3	3	5	7.5	7.5	10	10	15	15	20	20	25	25	25	30	30	30	40	40	50	50	60	60	75	75	100	100	150	150	125	200	150	200
4	1	1.5	2	3	5	7.5	7.5	10	10	15	15	20	20	25	25	30	30	40	40	50	50	60	60	75	75	100	100	125	125	150	150	125	200	150	200
6	1	1.5	2	3	5	7.5	7.5	10	10	15	15	20	20	25	25	30	30	40	40	50	50	60	60	75	75	100	100	125	125	150	150	125	200	150	200

Pump size	Pole			Motor frame size																															
	2	4	6	143TC	145TC	182TC	184TC	213TC	215TC	254TC	256TC	284TC	284TSC	286TC	286TSC	324TC	324TSC	326TC	326TSC	364TC	364TSC	365TC	365TSC	404TC	404TSC	405TC	405TSC	444TC	444TSC	445TC	445TSC	447TC			
NBS 012-070	•			1	1	2	2	3	3	4																									
	•			1	1																														
NBS 015-070	•					2	2	3	3	4	4																								
	•			1	1	2																													
NBS 015-090	•							8	10	10		9		9		12																			
	•			1	2	2																													
NBS 015-095	•							8	10	10		9		9		12		12																	
	•			1	2	2	3																												
NBS 020-095	•							8	10	10		9		9		12		12		12															
	•			1	2	2	3																												
NBS 020-110	•					2	2	3	3	4																									
	•							8	8	10	10	11																							
NBS 025-070	•					2	3	3	4	4		5		5																					
	•			1	1	2	2																												
NBS 025-095	•										10	9	9	12	12	12	12																		
	• •			1	2	2	3	3																											
NBS 025-110	• •					7	8	8	10																										
	•							3	4	4		5		5		6																			
NBS 030-070	•			1	2	2																													
	•															9	12	12	12	12	12	12	13	13	15										
NBS 030-095	• •			2	2	3	3	4																											
	• •					8	8	10	10																										
NBS 030-135	• •					8	10	10	11		11		14																						
	•					10	10		9		9		12		12																				
NBS 040-070	• •			1	1	2	2	3																											

Pump size	Pole			Motor frame size																														
	2	4	6	143TC	145TC	182TC	184TC	213TC	215TC	254TC	256TC	284TC	284TSC	286TC	286TSC	324TC	324TSC	326TC	326TSC	364TC	364TSC	365TC	365TSC	404TC	404TSC	405TC	405TSC	444TC	444TSC	445TC	445TSC	447TC		
NBS 040-095	•																			12	12	12		13		13		15						
	•	•					2	3	3	4	4																							
NBS 040-110	•	•						8	8	10	10	11		11																				
NBS 040-135	•	•							8	10	10	11		11		14	14																	
NBS 040-150	•	•										18		18		19		19		20		20		22		22		23		23				
NBS 050-070	•									10	10		9		9		12		12		12		12											
	•	•	•	1		2	2	3	3																									
NBS 050-095	•	•						16	16	17	17	18		18																				
NBS 050-110	•	•							8	10	10	11		11		14																		
NBS 050-135	•	•									17	18		18		19	19		20		20													
NBS 050-150	•	•													19	19		20		20		22		22		23		23						
NBS 060-095	•	•						16	17	17	18		18		19																			
NBS 060-110	•	•								17	17	18		18		19	19		20															
NBS 060-135	•	•									17	18		18		19	19		20		20		22		22		23							
NBS 060-150	•	•																	21		21		22		22		24		24		24			
NBS 080-135	•	•										18		18		19	19		20		20		22		22		23		23					
NBS 080-150	•	•																		21		21		22		22		24		24		24		
NBS 100-150	•	•																			21		22		22		24		24		24			

Code for split coupling	Kit number
1	92521637
2	92521638
3	92521639
4 or 5	92521640
6	92521641
7	92521642
8	92521643
9	92521644
10	92521645
11 or 12	92521646
13	92521647
14	92521648
15	92521649
16	92521650
17	92521651
18	92521652
19	92521653
20	92521654
21	92521655
22	92521656
23	92521657
24	92521658

### 2.14 Kit - Motor stool

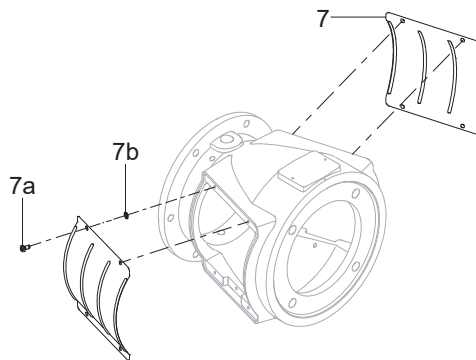


TM078542

#### Kit, motor stool

- 1a: 1 x motor stool
- 36b: Needed number of nuts for mounting the pump and cover
- 28: Needed number of bolts for mounting the motor
- 20 (e, g): Needed number of plugs

### 2.15 Kit - Coupling guards



TM078546

#### Kit, coupling guard

- 7: 2 x coupling guard
- 7a: 8 x hex socket head cap screw
- 7b: 8 x lock washer M5

#### Baldor Motor frame size

Pole	Baldor Motor frame size																															
	143TC	145TC	182TC	184TC	213TC	215TC	254TC	256TC	284TC	284TSC	286TC	286TSC	324TC	324TSC	326TC	326TSC	364TC	364TSC	365TC	365TSC	404TC	404TSC	405TC	405TSC	444TC	444TSC	445TC	445TSC	447TC			
2	1.5	2	3	5	7.5	7.5	10	10	15	15	20	20	25	25	30	30	40	40	50	50	60	60	75	75	100	100	125	125	150	150	200	200
4	1	1.5	2	3	5	5	7.5	10	15	15	20	20	25	25	30	30	40	40	50	50	60	60	75	75	100	100	125	125	150	150	200	200
6	1		1.5	2	3	5	7.5	10	15	15	20	20	25	25	30	30	40	40	50	50	60	60	75	75	100	100	125	125	150	150	200	200

#### Motor power size [hp]

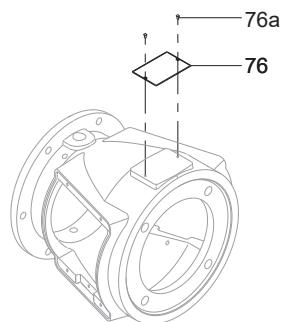
Pole	Motor power size [hp]																															
	1.5	2	3	5	7.5	7.5	10	10	15	15	20	20	25	25	30	30	40	40	50	50	60	60	75	75	100	100	125	125	150	150	200	200
2	1.5	2	3	5	7.5	7.5	10	10	15	15	20	20	25	25	30	30	40	40	50	50	60	60	75	75	100	100	125	125	150	150	200	200
4	1	1.5	2	3	5	5	7.5	10	15	15	20	20	25	25	30	30	40	40	50	50	60	60	75	75	100	100	125	125	150	150	200	200
6	1		1.5	2	3	5	7.5	10	15	15	20	20	25	25	30	30	40	40	50	50	60	60	75	75	100	100	125	125	150	150	200	200

Pump size	Pole		Baldor Motor frame size																												
	2	4	143TC	145TC	182TC	184TC	213TC	215TC	254TC	256TC	284TC	284TSC	286TC	286TSC	324TC	324TSC	326TC	326TSC	364TC	364TSC	365TC	365TSC	404TC	404TSC	405TC	405TSC	444TC	444TSC	445TC	445TSC	447TC
NBS 012-070	•			A	C	C	C	C	C	C																					
	•		A	A																											
NBS 015-070	•				C	C	C	C	C	C	C																				
	•		A	A	C																										
NBS 015-090	•									C	B	B	E	E	G																
	•		A	C	C																										
NBS 015-095	•									C	B	B	E	E	G	G															
	•		A	C	C	C																									
NBS 020-095	•									C	B	B	E	E	G	G	G														
	•		A	C	C	C																									
NBS 020-110	•				C	C	C	C	C																						
	•																														
NBS 020-135	•									J	J	J	J	K																	
	•				C	C	C	C	C				E	E																	
NBS 025-070	•		A	A	C	C																									
	•											B	E	E	G	G	G	G													
NBS 025-095	••		A		C	C	C	C																							
	••									J	J	J	J																		
NBS 030-070	•									C	C	C		E	E	G															
	•		A	C	C																										
NBS 030-095	•														E	G	G	G	G	G	G	G	G	G	G	G	G	G	H		
	••				C	C	C	C	C																						

Pump size	Pole			Baldor Motor frame size																													
	2	4	6	143TC	145TC	162TC	184TC	213TC	215TC	254TC	266TC	284TC	284TSC	286TC	286TSC	324TC	324TSC	326TC	326TSC	364TC	364TSC	365TC	365TSC	404TC	404TSC	405TC	405TSC	444TC	444TSC	445TC	445TSC	447TC	
NBS 030-110	•	•						J	J	J	J																						
NBS 030-135	•	•							J	J	J	K		K		L																	
NBS 040-070	•									B	B		E		E		G		G														
	•	•	A	A	C	C	C																										
NBS 040-095	•																			G	G		G		G		G		H				
	•	•				C	C	C	C	C																							
NBS 040-110	•	•						J	J	J	J	K		K																			
NBS 040-135	•	•						J	J	J	K		K		L		L																
NBS 040-150	•	•										N	N		P		P		P		P		O		O		Q		Q				
NBS 050-070	•									B	B		E		E		G		G		G		G										
	•	•	A		C	C	C	C																									
NBS 050-095	•	•						B	B	B	B	D		D																			
NBS 050-110	•	•						J	J	J	K		K		L																		
NBS 050-135	•	•									M	N		N		P		P		P		P											
NBS 050-150	•	•													P		P		P		P		O		O		Q		Q				
NBS 060-095	•	•						B	B	B	D		D		F																		
NBS 060-110	•	•								M	M	N		N		P		P		P													
NBS 060-135	•	•									M	N		N		P		P		P		P		O		O		Q					
NBS 060-150	•	•																		R		R		R		R		S		S		S	
NBS 080-135	•	•										N	N		P		P		P		P		O		O		Q		Q				
NBS 080-150	•	•																		R		R		R		R		S		S		S	
NBS 100-150	•	•																			R		R		R		S		S		S		

Code for motor stool + coupling	Kit number for motor stool	Kit number for coupling guard
A	92521587	92521760
B	92521588	92521762
C	92521589	92521761
D	92521590	92521767
E	92521591	92521763
F	92521592	92521765
G	92521593	92521746
H	92521594	92521763
J	92521595	92521764
K	92521596	92521763
L	92521597	92521748
M	92521598	92521747
N	92521599	92521748
O	92521600	92521766
P	92521601	92521765
Q	92521602	92521749
R	92521603	92521766
S	92521604	92521749

## 2.16 Pump nameplate



TM078936

### Nameplate

76: 1 x nameplate (72 x 50 mm), see section Nameplate for nameplate example

76a: 2 x rivet

When you require to replace a nameplate, take a picture of the existing one and send this to Grundfos.

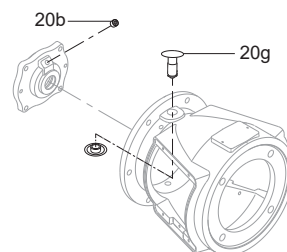
Based on this, it is normally possible to print a new copy.

If the pump holds certain approvals, it may be a mandatory requirement to ship the complete unit back to Grundfos to check the pump, and to print and install a new nameplate in Grundfos facilities. This is to maintain the approval. Therefore, information of the installed pump is needed.

### Related information

[1.2 Nameplate](#)

## 2.17 Kit - Plugs for seal cover and motor stool



TM079088

### Kit, plugs for seal cover and motor stool

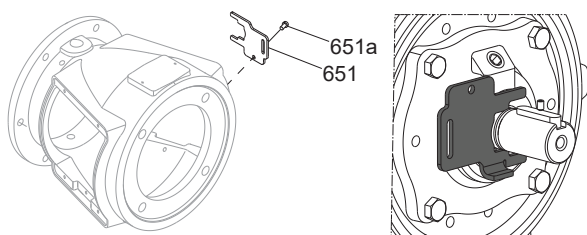
20b: 1 x plug

20g: 1 x 2-part push-fit composite plug

Kit number: 99857724



### 2.18 Kit - Fork tool (positioning tool for pump shaft)



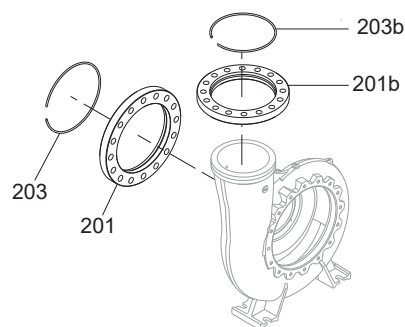
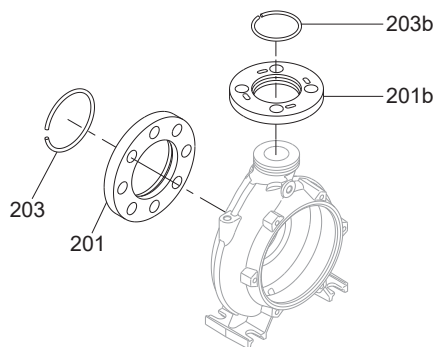
**Kit, fork tool**

651: 1 x fork tool

651a: 1 x position screw

Pump size	Pole			Kit number
	2	4	6	
NBS 012-070	•			92521501
		•		92521501
NBS 015-070 / NBS 015-090 / NBS 015-095	•			92521501
		•		92521501
NBS 020-095	•			92521501
		•		92521501
NBS 020-110		•		92521501
NBS 020-135		•		92521501
NBS 025-070	•			92521501
		•		92521501
NBS 025-095	•			92521501
		•	•	92521501
NBS 025-110		•	•	92521501
NBS 030-070	•			92521501
		•		92521501
NBS 030-095	•			92521501
		•	•	92521501
NBS 030-110		•	•	92521501
NBS 030-135		•	•	92521501
NBS 040-070 / NBS 040-095	•			92521501
		•	•	92521501
NBS 040-110		•	•	92521501
NBS 040-135		•	•	92521501
NBS 040-150		•	•	92521502
NBS 050-070	•			92521501
		•	•	92521501
NBS 050-095		•	•	92521502
NBS 050-110		•	•	92521501
NBS 050-135		•	•	92521502
NBS 050-150		•	•	92521502
NBS 060-095		•	•	92521502
NBS 060-110		•	•	92521502
NBS 060-135		•	•	92521502
NBS 060-150		•	•	92521502
NBS 080-135		•	•	92521502
NBS 080-150		•	•	92521502
NBS 100-150		•	•	92521502

### 2.19 Kit - Loose flange



TM078770

**Kit, flange for inlet**

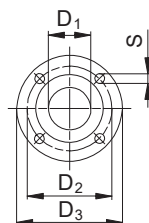
201: 1 x flange

203: 1 x lock ring

**Kit, flange for outlet**

201b: 1 x flange

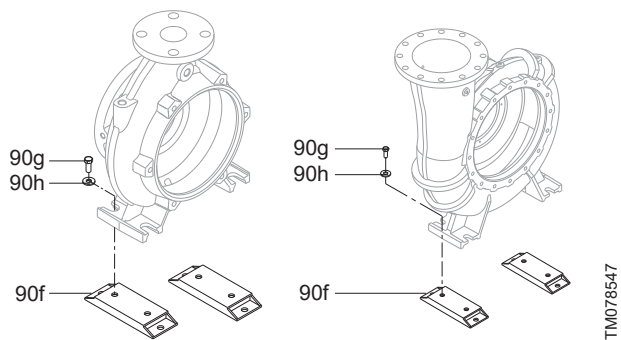
203b: 1 x lock ring



TM027720

Kit number	D1 [inch]	D2 [inch]	D3 [inch]	S
98329969	1.5	4.5	6 1/8	4 x Ø7/8
98329970	2	5	6 1/2	8 x Ø3/4
92526537	2.5	5 7/8	7 1/2	8 x Ø7/8
98254163	3	6 5/8	8 1/4	8 x Ø7/8
98254164	4	7 7/8	10	8 x Ø7/8
98254165	5	9 1/4	11	8 x Ø7/8
98254166	6	10 5/8	12 1/2	12 x Ø7/8
98254167	8	13	15	12 x Ø1
92526538	10	15 1/4	17 1/2	16 x Ø1 1/8
92526539	12	17 3/4	20 1/2	16 x Ø1 1/4

### 2.20 Kit - Support rails under pump



**Kit, support rails under pump**

- 90f: 2 x support rail
- 90g: 4 x hex screw
- 90h: 4 x washer

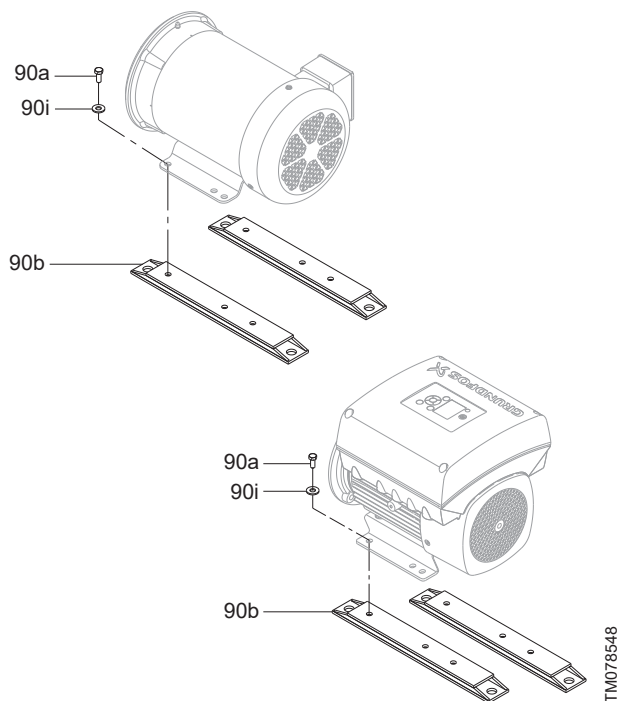
Pole	Baldor Motor frame size																																		
	143TC	145TC	182TC	184TC	213TC	215TC	254TC	256TC	284TC	284TSC	286TC	286TSC	324TC	324TSC	326TC	326TSC	364TC	364TSC	365TC	365TSC	404TC	404TSC	405TC	405TSC	444TC	444TSC	445TC	445TSC	447TC						
2	1.5	2	3	3	5	5	7.5	7.5	10	10	7.5	10	15	15	20	20	25	25	25	30	30	40	40	50	50	60	60	75	75	100	100	150	150	200	200
4	1	1.5	2	3	5	5	7.5	7.5	10	10	15	15	20	20	25	25	30	30	40	40	50	50	60	60	75	75	100	100	125	125	150	150	200	200	
6	1			1.5	2	3	3	5	5	7.5	7.5	10	10	15	15	20	20	25	25	30	30	40	40	50	50	60	60	75	75	100	100	125	125	150	150

Pump size	Pole			Motor frame size																																	
	2	4	6	143TC	145TC	182TC	184TC	213TC	215TC	254TC	256TC	284TC	284TSC	286TC	286TSC	324TC	324TSC	326TC	326TSC	364TC	364TSC	365TC	365TSC	404TC	404TSC	405TC	405TSC	444TC	444TSC	445TC	445TSC	447TC					
NBS 012-070	•			8	8	9	9	9	9	9	9																										
	•			8	8																																
NBS 015-070	•					9	9	9	9	9	9																										
	•			8	8	9																															
NBS 015-090	•								0	5	5		5		5		6																				
	•			0	0	0																															
NBS 015-095	•								0	5	5		5		5		6		6																		
	•			0	0	0	0																														
NBS 020-095	•								0	5	5		5		5		6		6																		
	•			0	0	0	0																														
NBS 020-110	•					0	0	0	0	0	0																										
NBS 020-135	•							0	0	0	0	0																									
NBS 025-070	•							1	1	1	1	1		7		7																					
	•			0	0	1	1																														
NBS 025-095	•											0	0	0	0	2	2	3	3																		
	••			0	0	0	0	0	0																												
NBS 025-110	••					0	0	0	0																												
NBS 030-070	•							1	1	1		7		7		D																					
	•			0	1	1																															
NBS 030-095	•														0	2	2	3	3								4		4							B	
	••			0	0	0	0	0	0																												
NBS 030-110	••							0	0	0	0																										
NBS 030-135	••								0	0	0	0		0		0																					
NBS 040-070	•									5	5		5		5		6		6																		
	••			0	0	0	0	0																													

Pump size	Pole			Motor frame size																																
	2	4	6	143TC	145TC	182TC	184TC	213TC	215TC	254TC	256TC	284TC	284TSC	286TC	286TSC	324TC	324TSC	326TC	326TSC	364TC	364TSC	365TC	365TSC	404TC	404TSC	405TC	405TSC	444TC	444TSC	445TC	445TSC	447TC				
NBS 040-095	•																			0	2	2		3		3		4								
	•	•				0	0	0	0	0	0																									
NBS 040-110	•	•				0	0	0	0	0	0		0																							
NBS 040-135	•	•						0	0	0	0		0		0		0																			
NBS 040-150	•	•										0		0		0		0		0		0		0		0		A		A						
NBS 050-070	•									0	0		0		0		2		2		3		3													
	•	•	•	0		0	0	0	0	0																										
NBS 050-095	•	•				0	0	0	0	0	0		0																							
NBS 050-110	•	•				0	0	0	0	0	0		0																							
NBS 050-135	•	•						0	0	0	0		0		0		0		0		0		0													
NBS 050-150	•	•														0		0		0		0		0		0		0		0		0		0		
NBS 060-095	•	•				0	0	0	0	0	0		0																							
NBS 060-110	•	•						0	0	0	0		0		0		0		0																	
NBS 060-135	•	•								0	0		0		0		0		0		0		0		0		0		A							
NBS 060-150	•	•																			0		0		0		0		0		0		0		0	
NBS 080-135	•	•										0		0		0		0		0		0		0		0		0		0		0		0		
NBS 080-150	•	•																			0		0		0		0		0		0		0		0	
NBS 100-150	•	•																			0		0		0		0		0		0		0		0	

Code for support rails under pump	Kit number
0	No support rail required
1	92521546
2	92521547
3	92521548
4	92521549
5	92521550
6	92521551
7	92521552
8	92521553
9	92521554
A	92521555
B	92521556
C	92521557
D	92521558

### 2.21 Kit - Support rails under motor



**Kit, support rails under motor**

- 90b: 2 x support rail
- 90a: 4 x hex screw
- 90i: 4 x washer

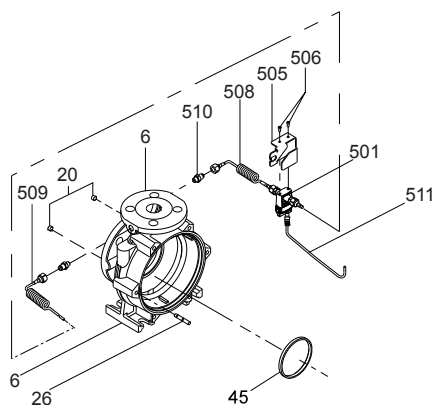
		Baldor Motor frame size																												
Pole		143TC	145TC	182TC	184TC	213TC	215TC	254TC	256TC	284TC	284TSC	286TC	286TSC	324TC	324TSC	326TC	326TSC	364TC	364TSC	365TC	365TSC	404TC	404TSC	405TC	405TSC	444TC	444TSC	445TC	445TSC	447TC
		Motor power size [hp]																												
2	1.5	2	3	5	5	7.5	7.5	10	10	15	15	20	20	25	25	30	30	40	40	50	50	60	60	75	75	100	100	150	150	200
4	1	1.5	2	3	5	7.5	7.5	10	10	15	15	20	20	25	25	30	30	40	40	50	50	60	60	75	75	100	100	125	125	200
6	1			1.5	2	3	5	7.5	10	15	15	20	20	25	25	30	30	40	40	50	50	60	60	75	75	100	100	125	125	200

Pump size	Pole			Motor frame size																												
	2	4	6	143TC	145TC	182TC	184TC	213TC	215TC	254TC	256TC	284TC	284TSC	286TC	286TSC	324TC	324TSC	326TC	326TSC	364TC	364TSC	365TC	365TSC	404TC	404TSC	405TC	405TSC	444TC	444TSC	445TC	445TSC	447TC
NBS 012-070	•			E	E	C	C	C1	C1	A																						
	•			E	E																											
NBS 015-070	•					C	C	C1	C1	A	A																					
	•			E	E	C																										
NBS 015-090	•								C1	D	D	M	M	N																		
	•			F1	D1	D1																										
NBS 015-095	•								C1	D	D	M	M	N	N																	
	•			F1	D1	D1	C1																									
NBS 020-095	•								C1	D	D	M	M	N	N	P																
	•			F1	D1	D1	C1																									
NBS 020-110	•					D1	D1	C1	C1	A																						
NBS 020-135	•							G1	G1	F	F	R																				
NBS 025-070	•					D1	C1	C1	A	A	M	M																				
	•			E	E	D1	D1																									
NBS 025-095	•									D	M	M	N	N	P	P																
	• •			H1		G	G	E1	E1																							

Pump size	Pole			Motor frame size																														
	2	4	6	143TC	145TC	182TC	184TC	213TC	215TC	254TC	256TC	284TC	284TSC	286TC	286TSC	324TC	324TSC	326TC	326TSC	364TC	364TSC	365TC	365TSC	404TC	404TSC	405TC	405TSC	444TC	444TSC	445TC	445TSC	447TC		
NBS 025-110	•	•						G	E1	E1	D																							
NBS 030-070	•									C1	A	A	M	M	N																			
	•			E	D1	D1																												
NBS 030-095	•														M	N	N	P	P	O	O	Q												
	•	•		G	G	E1	E1	D																										
NBS 030-110	•	•						E1	E1	D	D																							
NBS 030-135	•	•							J	H	H	U	U	S																				
NBS 040-070	•									D	D	M	M	N	N																			
	•	•	F1	F1	D1	D1	C1																											
NBS 040-095	•																	N	P	P	O	O	Q											
	•	•		I	G1	G1	F	F																										
NBS 040-110	•	•						G1	G1	F	F	R	R																					
NBS 040-135	•	•							J	H	H	U	U	S	S																			
NBS 040-150	•	•									X	X	V	V	T	T	O	O	Q	Q														
	•									D	D	M	M	N	N	P	P																	
NBS 050-070	•	•	H1	G	G	E1	E1																											
NBS 050-095	•	•							J	J	H	H	U	U																				
NBS 050-110	•	•							J	H	H	U	U	S																				
NBS 050-135	•	•								K	X	X	V	V	T	T																		
NBS 050-150	•	•													A1	A1	B	B	B1	B1	5	5												
NBS 060-095	•	•							L	K	K	X	X	V																				
NBS 060-110	•	•								K	K	X	X	V	V	T																		
NBS 060-135	•	•								K	X	X	V	V	T	T	O	O	Q															
NBS 060-150	•	•														B	B	B1	B1	5	5	5												
NBS 080-135	•	•									1	1	Z	Z	Y	Y	8	8	6	6														
NBS 080-150	•	•														2	2	Z1	Z1	7	7	7												
NBS 100-150	•	•															4	3	3	9	9	9												

Code for support rails under motor	Kit number	Code for support rails under motor	Kit number
A	92521503	O	92521521
A1	92521540	P	92521543
B	92521541	Q	92521544
B1	92521542	R	92521522
C	92521545	S	92521523
C1	92521504	T	92521524
D	92521505	U	92521525
D1	92521506	V	92521526
E	92521507	X	92521527
E1	92521508	Y	92521528
F	92521509	Z	92521529
F1	92521510	Z1	92521530
G	92521511	1	92521531
G1	92521512	2	92521532
H	92521513	3	92521533
H1	92521514	4	92521534
I	92521515	5	92521535
J	92521516	6	92521536
K	92521517	7	92521537
L	92521518	8	92521538
M	92521519	9	92521539
N	92521520		

## 2.22 Kit - Sensor for NBSE Series 2000



TM073633

### Kit, differential-pressure sensor

- 501: 1 x sensor
- 506: 2 x screw
- 511: 1 x cable (including connector to sensor)

### Spare, sensor bracket

- 505: 1 x sensor bracket

### Kit, capillary tube

- 508: 1 x capillary tube
- 509: 1 x capillary tube
- 510 2 x adapter plug

### Spare, cable

- 511: 1 x cable (including connector to sensor)

### Kit, differential-pressure sensor

0-2 bar	0-4 bar	0-6 bar	0-10 bar
92655813	99562724	99562725	99562726

### Spare, bracket for sensor

99562727

### Kit, capillary tube

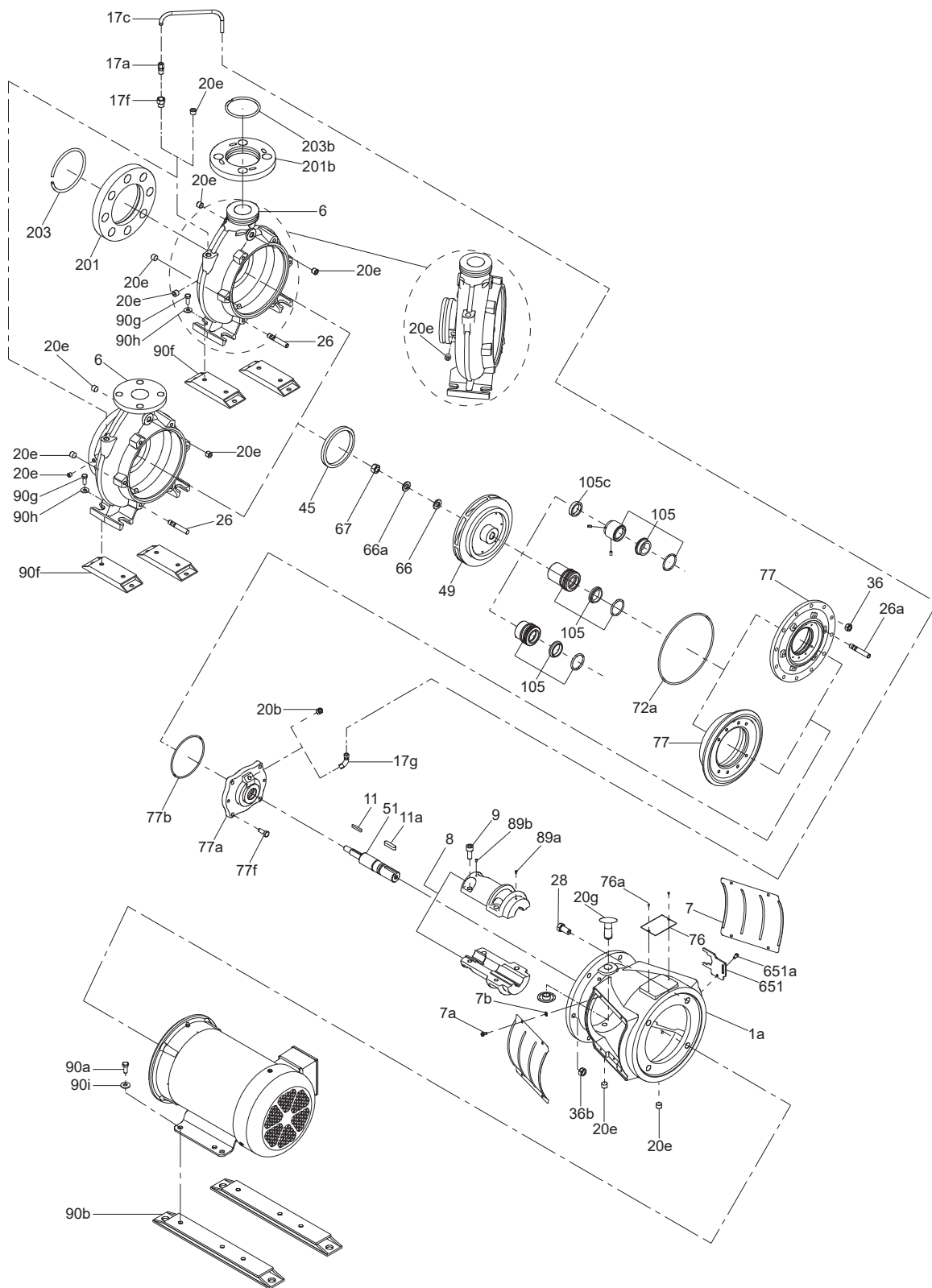
99184237

### Spare, cable

99562728

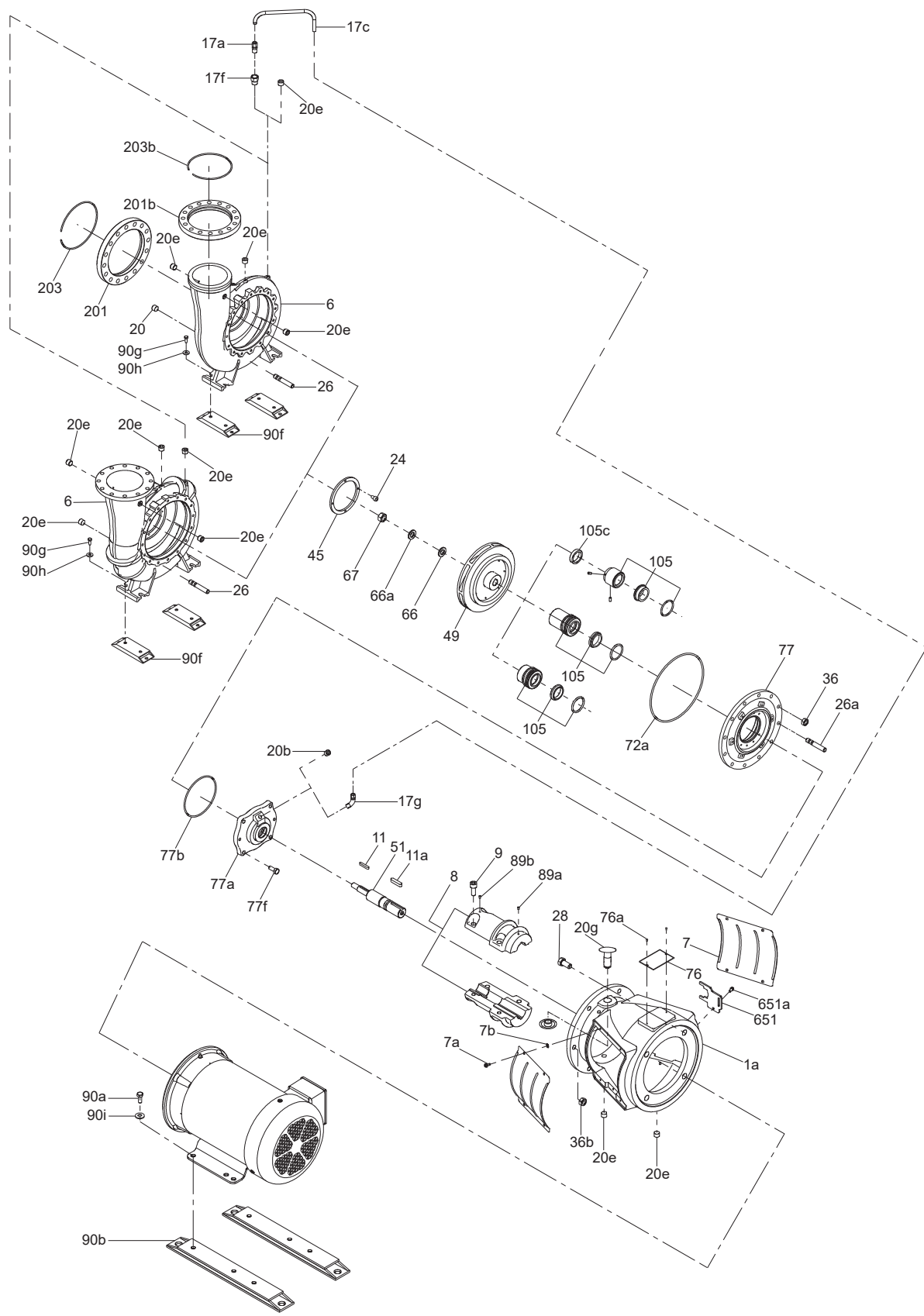
### 3. Exploded drawings

#### Center-line outlet



TM077164

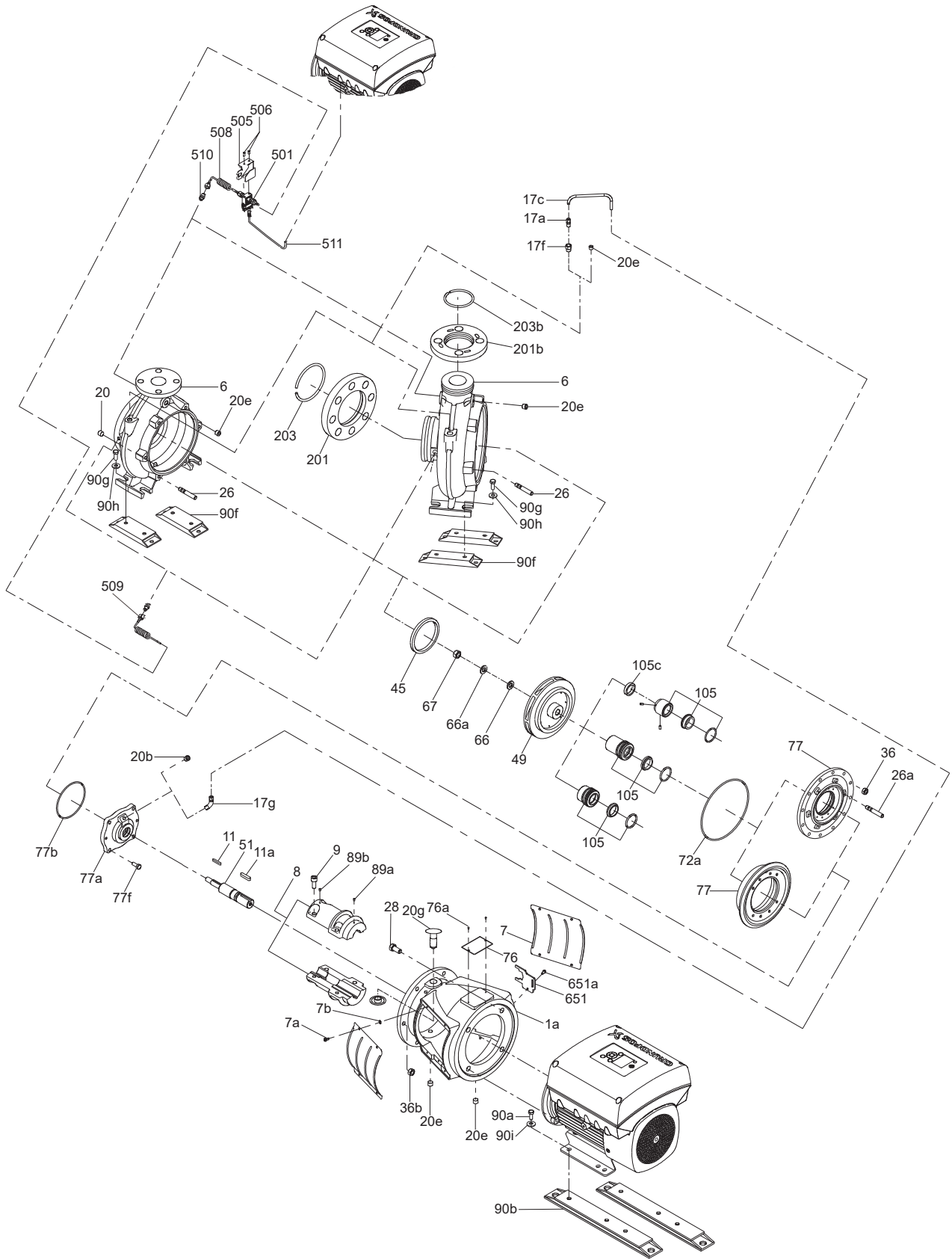
Tangential outlet



TM077453



NBSE



TM077568

**Argentina**

Bombas GRUNDFOS de Argentina S.A.  
Ruta Panamericana km. 37.500 Industin  
1619 - Garin Pcia. de B.A.  
Tel.: +54-3327 414 444  
Fax: +54-3327 45 3190

**Australia**

GRUNDFOS Pumps Pty. Ltd.  
P.O. Box 2040  
Regency Park  
South Australia 5942  
Tel.: +61-8-8461-4611  
Fax: +61-8-8340-0155

**Austria**

GRUNDFOS Pumpen Vertrieb Ges.m.b.H.  
Grundfosstraße 2  
A-5082 Grödig/Salzburg  
Tel.: +43-6246-883-0  
Fax: +43-6246-883-30

**Belgium**

N.V. GRUNDFOS Bellux S.A.  
Boomsesteenweg 81-83  
B-2630 Aartselaar  
Tel.: +32-3-870 7300  
Fax: +32-3-870 7301

**Belarus**

Представительство ГРУНДФОС в  
Минске  
220125, Минск  
ул. Шафарьянская, 11, оф. 56, БЦ  
«Порт»  
Тел.: +375 17 397 397 3  
+375 17 397 397 4  
Факс: +375 17 397 397 1  
E-mail: minsk@grundfos.com

**Bosnia and Herzegovina**

GRUNDFOS Sarajevo  
Zmaja od Bosne 7-7A  
BiH-71000 Sarajevo  
Tel.: +387 33 592 480  
Fax: +387 33 590 465  
www.ba.grundfos.com  
E-mail: grundfos@bih.net.ba

**Brazil**

BOMBAS GRUNDFOS DO BRASIL  
Av. Humberto de Alencar Castelo Branco,  
630  
CEP 09850 - 300  
São Bernardo do Campo - SP  
Tel.: +55-11 4393 5533  
Fax: +55-11 4343 5015

**Bulgaria**

Grundfos Bulgaria EOOD  
Slatina District  
Iztocna Tangenta street no. 100  
BG - 1592 Sofia  
Tel.: +359 2 49 22 200  
Fax: +359 2 49 22 201  
E-mail: bulgaria@grundfos.bg

**Canada**

GRUNDFOS Canada inc.  
2941 Brighton Road  
Oakville, Ontario  
L6H 6C9  
Tel.: +1-905 829 9533  
Fax: +1-905 829 9512

**China**

GRUNDFOS Pumps (Shanghai) Co. Ltd.  
10F The Hub, No. 33 Suhong Road  
Minhang District  
Shanghai 201106 PRC  
Tel.: +86 21 612 252 22  
Fax: +86 21 612 253 33

**Columbia**

GRUNDFOS Colombia S.A.S.  
Km 1.5 via Siberia-Cota Conj. Potrero  
Chico,  
Parque Empresarial Arcos de Cota Bod.  
1A.  
Cota, Cundinamarca  
Tel.: +57(1)-2913444  
Fax: +57(1)-8764586

**Croatia**

GRUNDFOS CROATIA d.o.o.  
Buzinski prilaz 38, Buzin  
HR-10010 Zagreb  
Tel.: +385 1 6595 400  
Fax: +385 1 6595 499  
www.hr.grundfos.com

**Czech Republic**

GRUNDFOS Sales Czechia and Slovakia  
s.r.o.  
Čajkovského 21  
779 00 Olomouc  
Tel.: +420-585-716 111

**Denmark**

GRUNDFOS DK A/S  
Martin Bachs Vej 3  
DK-8850 Bjerringbro  
Tel.: +45-87 50 50 50  
Fax: +45-87 50 51 51  
E-mail: info\_GDK@grundfos.com  
www.grundfos.com/DK

**Estonia**

GRUNDFOS Pumps Eesti OÜ  
Peterburi tee 92G  
11415 Tallinn  
Tel.: + 372 606 1690  
Fax: + 372 606 1691

**Finland**

OY GRUNDFOS Pumput AB  
Trukkikuja 1  
FI-01360 Vantaa  
Tel.: +358-(0) 207 889 500

**France**

Pompes GRUNDFOS Distribution S.A.  
Parc d'Activités de Chesnes  
57, rue de Malcombe  
F-38290 St. Quentin Fallavier (Lyon)  
Tel.: +33-4 74 82 15 15  
Fax: +33-4 74 94 10 51

**Germany**

GRUNDFOS GMBH  
Schlüterstr. 33  
40699 Erkrath  
Tel.: +49-(0) 211 929 69-0  
Fax: +49-(0) 211 929 69-3799  
E-mail: infoservice@grundfos.de  
Service in Deutschland:  
kundendienst@grundfos.de

**Greece**

GRUNDFOS Hellas A.E.B.E.  
20th km. Athinon-Markopoulou Av.  
P.O. Box 71  
GR-19002 Peania  
Tel.: +0030-210-66 83 400  
Fax: +0030-210-66 46 273

**Hong Kong**

GRUNDFOS Pumps (Hong Kong) Ltd.  
Unit 1, Ground floor, Siu Wai Industrial  
Centre  
29-33 Wing Hong Street & 68 King Lam  
Street, Cheung Sha Wan  
Kowloon  
Tel.: +852-27861706 / 27861741  
Fax: +852-27858664

**Hungary**

GRUNDFOS Hungária Kft.  
Tópark u. 8  
H-2045 Törökbalint  
Tel.: +36-23 511 110  
Fax: +36-23 511 111

**India**

GRUNDFOS Pumps india Private Limited  
118 Old Mahabalipuram Road  
Thoraiakkam  
Chennai 600 097  
Tel.: +91-44 2496 6800

**Indonesia**

PT GRUNDFOS Pompa  
Graha intirub Lt. 2 & 3  
Jln. Cililitan Besar No.454. Makasar,  
Jakarta Timur  
ID-Jakarta 13650  
Tel.: +62 21-469-51900  
Fax: +62 21-460 6910 / 460 6901

**Ireland**

GRUNDFOS (Ireland) Ltd.  
Unit A, Merrywell Business Park  
Ballymount Road Lower  
Dublin 12  
Tel.: +353-1-4089 800  
Fax: +353-1-4089 830

**Italy**

GRUNDFOS Pompe Italia S.r.l.  
Via Gran Sasso 4  
I-20060 Truccezanno (Milano)  
Tel.: +39-02-95838112  
Fax: +39-02-95309290 / 95838461

**Japan**

GRUNDFOS Pumps K.K.  
1-2-3, Shin-Miyakoda, Kita-ku  
Hamamatsu  
431-2103 Japan  
Tel.: +81 53 428 4760  
Fax: +81 53 428 5005

**Korea**

GRUNDFOS Pumps Korea Ltd.  
6th Floor, Aju Building 679-5  
Yeoksam-dong, Kangnam-ku, 135-916  
Seoul, Korea  
Tel.: +82-2-5317 600  
Fax: +82-2-5633 725

**Latvia**

SIA GRUNDFOS Pumps Latvia  
Deglava biznesa centrs  
Augusta Deglava ielā 60  
LV-1035, Rīga,  
Tel.: + 371 714 9640, 7 149 641  
Fax: + 371 914 9646

**Lithuania**

GRUNDFOS Pumps UAB  
Smolensko g. 6  
LT-03201 Vilnius  
Tel.: + 370 52 395 430  
Fax: + 370 52 395 431

**Malaysia**

GRUNDFOS Pumps Sdn. Bhd.  
7 Jalan Peguam U1/25  
Glenmarie Industrial Park  
40150 Shah Alam, Selangor  
Tel.: +60-3-5569 2922  
Fax: +60-3-5569 2866

**Mexico**

Bombas GRUNDFOS de México  
S.A. de C.V.  
Boulevard TLC No. 15  
Parque industrial Stiva Aeropuerto  
Apodaca, N.L. 66600  
Tel.: +52-81-8144 4000  
Fax: +52-81-8144 4010

**Netherlands**

GRUNDFOS Netherlands  
Veluwezoom 35  
1326 AE Almere  
Postbus 22015  
1302 CA ALMERE  
Tel.: +31-88-478 6336  
Fax: +31-88-478 6332  
E-mail: info\_gnl@grundfos.com

**New Zealand**

GRUNDFOS Pumps NZ Ltd.  
17 Beatrice Tinsley Crescent  
North Harbour Industrial Estate  
Albany, Auckland  
Tel.: +64-9-415 3240  
Fax: +64-9-415 3250

**Norway**

GRUNDFOS Pomper A/S  
Stramsveien 344  
Postboks 235, Leirdal  
N-1011 Oslo  
Tel.: +47-22 90 47 00  
Fax: +47-22 32 21 50

**Poland**

GRUNDFOS Pompy Sp. z o.o.  
ul. Klonowa 23  
Baranowo k. Poznania  
PL-62-081 Przeźmierowo  
Tel.: (+48-61) 650 13 00  
Fax: (+48-61) 650 13 50

**Portugal**

Bombas GRUNDFOS Portugal, S.A.  
Rua Calvet de Magalhães, 241  
Apartado 1079  
P-2770-153 Paço de Arcos  
Tel.: +351-21-440 76 00  
Fax: +351-21-440 76 90

**Romania**

GRUNDFOS Pompe România SRL  
S-PARK BUSINESS CENTER, Clădirea  
A2, etaj 2  
Str. Tipografilor, Nr. 11-15, Sector 1, Cod  
013714  
Bucuresti, Romania  
Tel.: 004 021 2004 100  
E-mail: romania@grundfos.ro

**Russia**

ООО Грундфос Россия  
ул. Школьная, 39-41  
Москва, RU-109544, Russia  
Тел. (+7) 495 564-88-00 (495) 737-30-00  
Факс (+7) 495 564 8811  
E-mail grundfos.moscow@grundfos.com

**Serbia**

Grundfos Srbija d.o.o.  
Omladinskih brigada 90b  
11070 Novi Beograd  
Tel.: +381 11 2258 740  
Fax: +381 11 2281 769  
www.rs.grundfos.com

**Singapore**

GRUNDFOS (Singapore) Pte. Ltd.  
25 Jalan Tukang  
Singapore 619264  
Tel.: +65-6681 9688  
Fax: +65-6681 9689

**Slovakia**

GRUNDFOS s.r.o.  
Prievozská 4D 821 09 BRATISLAVA  
Tel.: +421 2 5020 1426  
sk.grundfos.com

**Slovenia**

GRUNDFOS LJUBLJANA, d.o.o.  
Leskoškova 9e, 1122 Ljubljana  
Tel.: +386 (0) 1 568 06 10  
Fax: +386 (0) 1 568 06 19  
E-mail: tehnika-si@grundfos.com

**South Africa**

GRUNDFOS (PTY) LTD  
16 Lascelles Drive, Meadowbrook Estate  
1609 Germiston, Johannesburg  
Tel.: (+27) 10 248 6000  
Fax: (+27) 10 248 6002  
E-mail: lgradidge@grundfos.com

**Spain**

Bombas GRUNDFOS España S.A.  
Camino de la Fuenteclilla, s/n  
E-28110 Algete (Madrid)  
Tel.: +34-91-848 8800  
Fax: +34-91-628 0465

**Sweden**

GRUNDFOS AB  
Box 333 (Lunnagårdsgatan 6)  
431 24 Mölndal  
Tel.: +46 31 332 23 000  
Fax: +46 31 331 94 60

**Switzerland**

GRUNDFOS Pumpen AG  
Bruggacherstrasse 10  
CH-8117 Fällanden/ZH  
Tel.: +41-44-806 8111  
Fax: +41-44-806 8115

**Taiwan**

GRUNDFOS Pumps (Taiwan) Ltd.  
7 Floor, 219 Min-Chuan Road  
Taichung, Taiwan, R.O.C.  
Tel.: +886-4-2305 0868  
Fax: +886-4-2305 0878

**Thailand**

GRUNDFOS (Thailand) Ltd.  
92 Chaloom Phrakiat Rama 9 Road  
Dokmai, Pravej, Bangkok 10250  
Tel.: +66-2-725 8999  
Fax: +66-2-725 8998

**Turkey**

GRUNDFOS POMPA San. ve Tic. Ltd. Sti.  
Gebze Organize Sanayi Bölgesi  
İhsan dede Caddesi  
2. yol 200. Sokak No. 204  
41490 Gebze/ Kocaeli  
Tel.: +90 - 262-679 7979  
Fax: +90 - 262-679 7905  
E-mail: satis@grundfos.com

**Ukraine**

Бізнес Центр Європа  
Столичне шосе, 103  
м. Київ, 03131, Україна  
Tel.: (+38 044) 237 04 00  
Fax: (+38 044) 237 04 01  
E-mail: ukraine@grundfos.com

**United Arab Emirates**

GRUNDFOS Gulf Distribution  
P.O. Box 16768  
Jebel Ali Free Zone, Dubai  
Tel.: +971 4 8815 166  
Fax: +971 4 8815 136

**United Kingdom**

GRUNDFOS Pumps Ltd.  
Grovebury Road  
Leighton Buzzard/Beds. LU7 4TL  
Tel.: +44-1525-850000  
Fax: +44-1525-850011

**U.S.A.**

GRUNDFOS Water Utility Headquarters  
856 Koomery Road  
Brookshire, Texas 77423 USA

**Uzbekistan**

Grundfos Tashkent, Uzbekistan  
The Representative Office of Grundfos  
Kazakhstan in Uzbekistan  
38a, Oybek street, Tashkent  
Tel.: (+998) 71 150 3290 / 71 150 3291  
Fax: (+998) 71 150 3292

