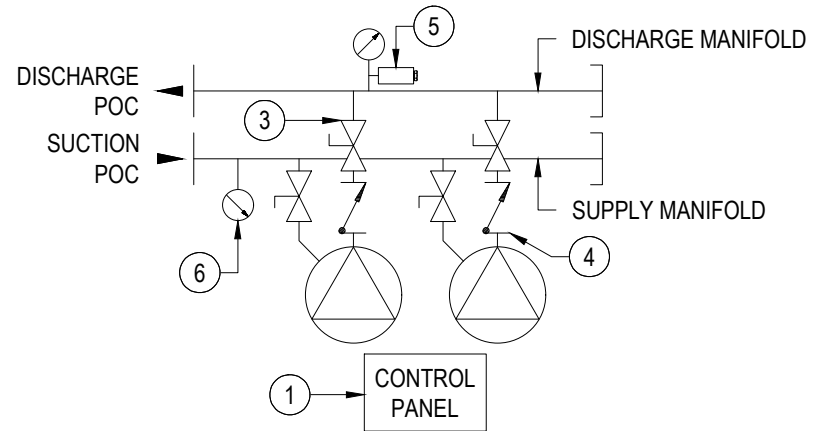


GENERAL NOTES

- ① - SYSTEM CONTROL PANEL WITH SINGLE POINT POWER CONNECTION, CONTROL PANEL IS DIRECTLY MOUNTED ON BASE FRAME.
- ② - NPT CONNECTION TO 316SS MANIFOLD, 3" MANIFOLD USES ANSI CLASS 150 FLANGE CONNECTION. PROVIDE A MINIMUM OF ONE NOMINAL FLANGE DIAMETER LENGTH FROM FLANGE TO EXPANSION JOINT ON BOTH SUCTION AND DISCHARGE. SEE PLANS FOR COORDINATED CONFIGURATION.
- ③ - ISOLATION VALVE, TWO PER PUMP.
- ④ - NON-RETURN CHECK VALVE, ONE FOR EACH PUMP.
- ⑤ - FACTORY INSTALLED PRESSURE TRANSMITTER AND GAUGE ON DISCHARGE MANIFOLD.
- ⑥ - FACTORY INSTALLED PRESSURE GAUGE ON INLET MANIFOLD, ALTERNATE PRESSURE SWITCH AVAILABLE.
- ⑦ - 304 SS BASE FRAME WITH RUBBER VIBRATION DAMPENERS FITTED BETWEEN EACH PUMP AND THE BASE FRAME.



1 DUPLEX HYDRO CME BOOSTER PUMP DETAIL AND SCHEMATIC

SCALE: NTS



DRAWING TITLE: GRUNDFOS HYDRO MPC CME DUPLEX BOOSTER DETAIL AND SCHEMATIC		
DRAWING NUMBER: 000006-A		
DRAWN BY BM	LAST REVISED 11.12.2021	DRAWING SCALE NTS

THE DOCUMENT AND ALL INFORMATION SHOWN IS PROPERTY OF HURLEY ENGINEERING, INC. THIS DOCUMENT IS NOT TO BE REDISTRIBUTED OR COPIED OR USED FOR THE MANUFACTURING OF EQUIPMENT WITHOUT PRIOR WRITTEN CONSENT FROM HURLEY ENGINEERING, INC.

