

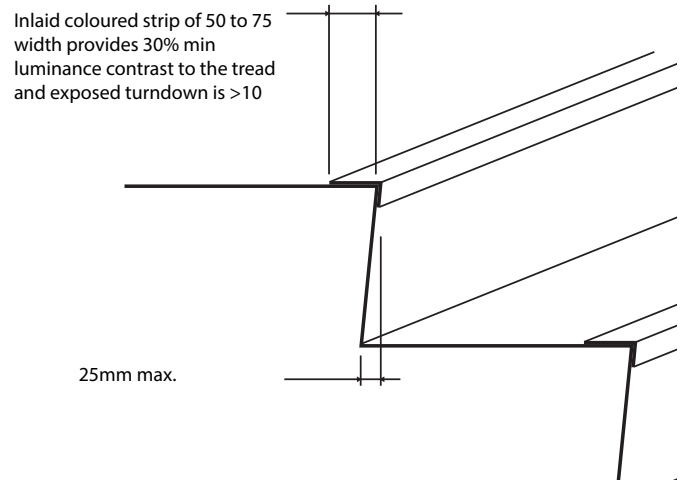
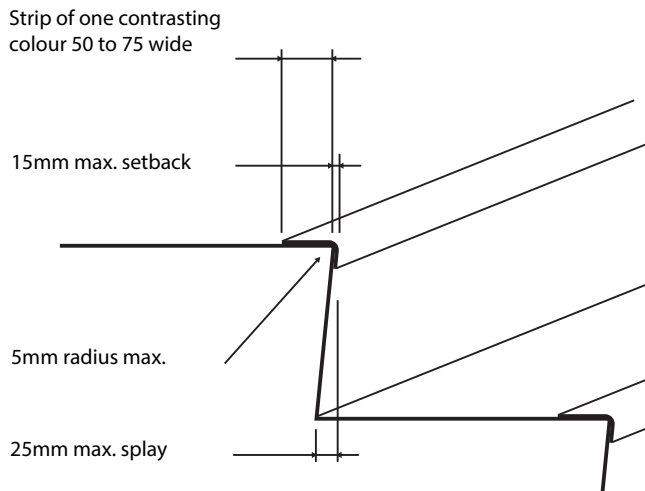
**ARE YOU AWARE AS1428.1 HAS BEEN UPDATED.**

Australian standards have changed, are you up to date?

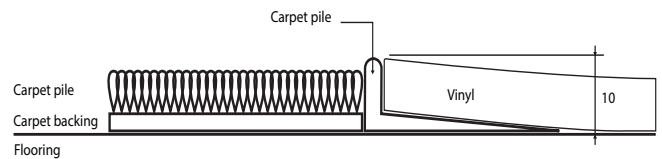
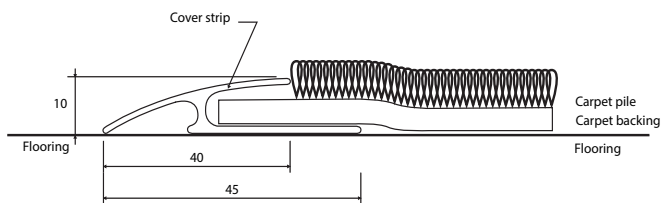
**A BRIEF SUMMARY AFFECTING STAIR NOSINGS**

Quote from AS1428.1.2021 : (page 47) [F] At the nosing, each tread shall have a single strip (not multi strip) not less than 50mm and not more than 75mm deep across the full width of the path of travel.

- The single strip shall be of continuous colour.
- The strip maybe set back a maximum 15mm from the front.
- The strip shall have a minimum luminance contrast of 30% to the background.



**FLOOR FINISH JUNCTIONS MAYBE**



This information is based on our experience to date and the results of careful testing. However, varying site conditions and methods of use influences practical application of the products. Their success is also dependent upon the professional judgment of the user and his/her conformity to proper trade practice, which are factors outside our control. The issue of this product information invalidates all previous information relevant to this product.