

RIDGE INSTALLATION GUIDE

CLOSE FITTING / VENTILATED RIDGES

The EUROSIX range of closed ridges and vents are available in the following sizes:

Girths 750mm (12.5° and 15° only) or 900mm, in pitches of 5° to 22.5° in 2.5° increments.

1800mm girth available from stock. Please contact our technical department for more details.

Both slopes of the roof must be sheeted starting at the same gable end and the corrugations must be accurately aligned up and over both slopes of the roof. It is vital that the ridge and the top sheets are mitred. Fix the ridge in exactly the same way as the sheets, and ensure the fasteners are a minimum of 100mm from the tail end of the ridge.

Fig.1 Closed Ridge Fixings

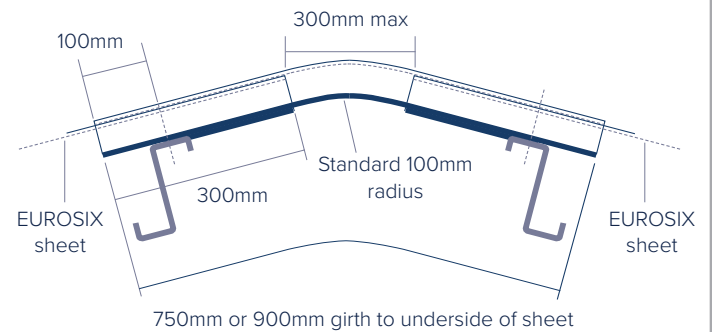
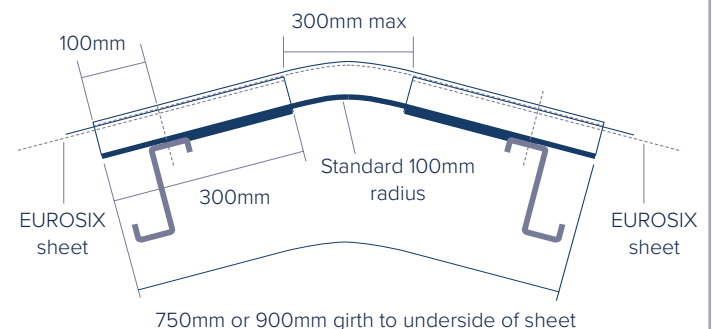


Fig.2 Ventilating Ridge Fixings



PURLIN SETTING OUT

All 750mm and 900mm cranked ridges (both closed and ventilated) must overlap the EUROSIX straight sheet by 300mm (this creates a non fragile ridge detail).

If the sheets have to be laid with 300 mm laps because of the exposure rating, use the smaller dimension.

If using 750mm girth EUROSIX ridges on roofs with pitches of 12.5 and 15, a 300mm overlap will encroach on the curved part of the ridge, this is correct. However to ensure no damage occurs, use 8mm butyl strips as a spacer between the ridge and the sheet.

The tables below provide the setting out details for a range of purlin sizes.

Dimension C for 900mm EUROSIX Ridges

PITCH A	PURLIN DEPTH B			
	B = 75	B = 125	B = 175	B = 225
5°	193	189	185	181
7½°	191	184	177	171
10°	187-337	178-328	170-320	161-311
12½°	184-334	173-323	162-312	151-301
15°	182-332	168-318	155-305	142-292
17½°	179-329	164-314	148-298	132-282
22½°	175-325	155-305	134-284	113-263

Dimension C for 750mm EUROSIX Ridges

PITCH A	PURLIN DEPTH B			
	B = 75	B = 125	B = 175	B = 225
12½°	109-259	98-248	87-237	76-226
15°	107-257	93-243	80-230	67-217

