



BARGEBOARD INSTALLATION GUIDE

Bargeboards should be positioned so that their lap is directly below the end lap of the sheeting, with the top end of each bargeboard close to the tail end of the sheet in the course above. Vergeline bargeboards are handed left or right when facing the gable end of the building with the socketed ends of roll top and vergeline bargeboards should point upslope.

The bargeboard lap should be immediately downslope of the sheet lap.

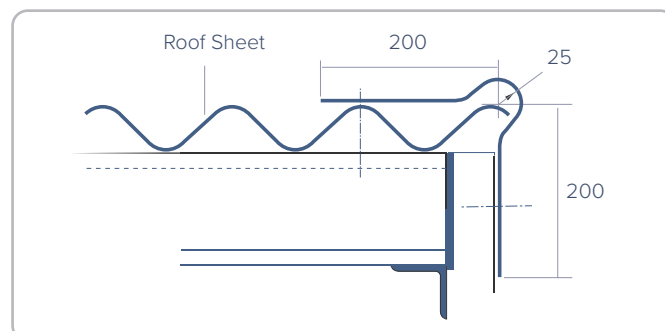
The sheeting should extend as far as possible under the bargeboard to ensure a weatherproof junction is provided. If lap sealant is required for the sheets, the sealant should also be applied to the bargeboards.

Allow 25mm clearance between the wall and the bargeboard when the gable is brick or block. Fix both legs of the bargeboard at the purlin positions and intermediate fixings should be introduced as necessary to ensure that both wings of the bargeboards are fixed at 750mm maximum centres.*

ROLLTOP BARGEBOARDS

(Socketed Universal)

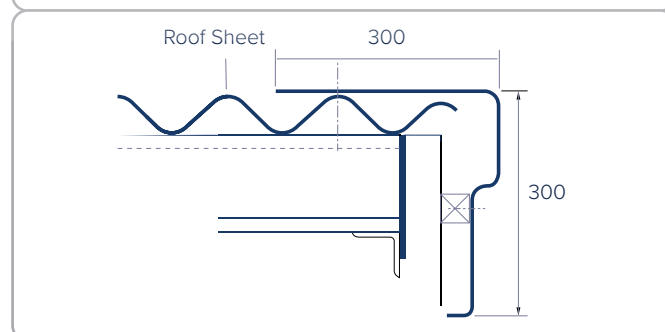
Wing Dimensions	200 x 200mm
Straight Bargeboards	1800, 2440, 3000mm
Cranked Bargeboards	1300mm, 2200mm girths 5°-22.5° in 2.5° increments



VERGELINE BARGEBOARDS

(Socketed and Handed)

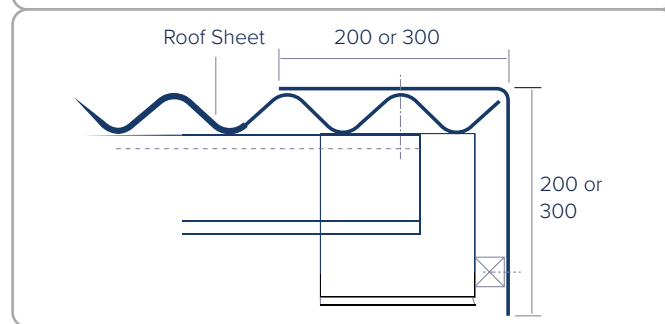
Wing Dimensions	300 x 300mm
Straight Bargeboards	1800, 2440, 3000mm, handed
Cranked Bargeboards	1300mm girth 5°-22½° in 2½° increments



PLAIN WING BARGEBOARDS

(Unsocketed and Universal)

Wing Dimensions	200 x 200mm 300 x 300mm
Straight Bargeboards	1800, 2440, 3000mm
Cranked Bargeboards	1300, 2200mm girths (only 200x200) 5°-22½° in 2½° increments



*No fixing should be within 50mm of any edge of the bargeboard

