

SMARTFLOOR

Mercedes Vito Front Module Drawer Se Installation Manual



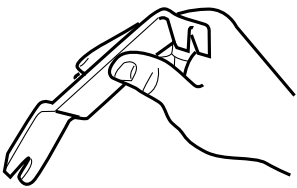
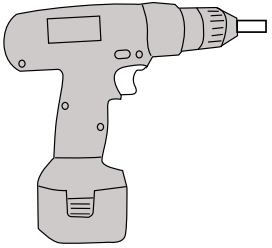

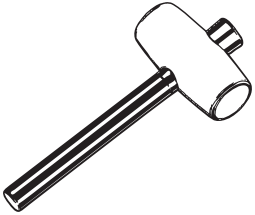
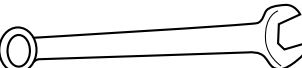
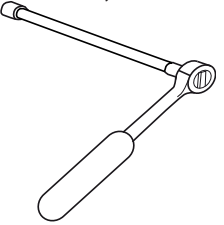



Revision Record

Rev nr	Date	Page	Picture	Update	New	Deleted steps

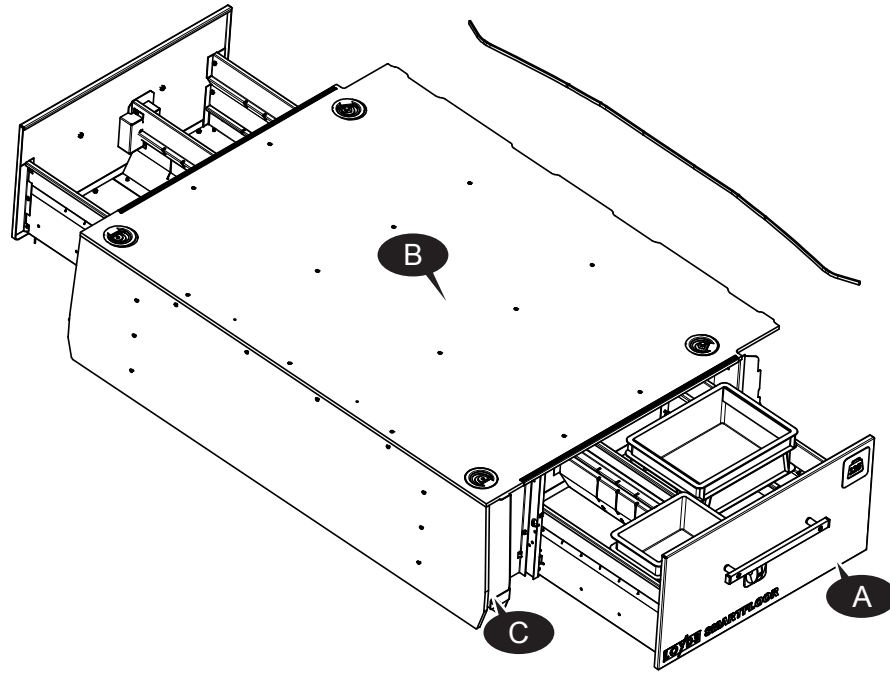
Recommended torque for screws:

4,2mm Selfdrilling: 3,6 NM
 6mm: 6 NM
 8mm: 10 NM
 10mm: 42 NM

Tools

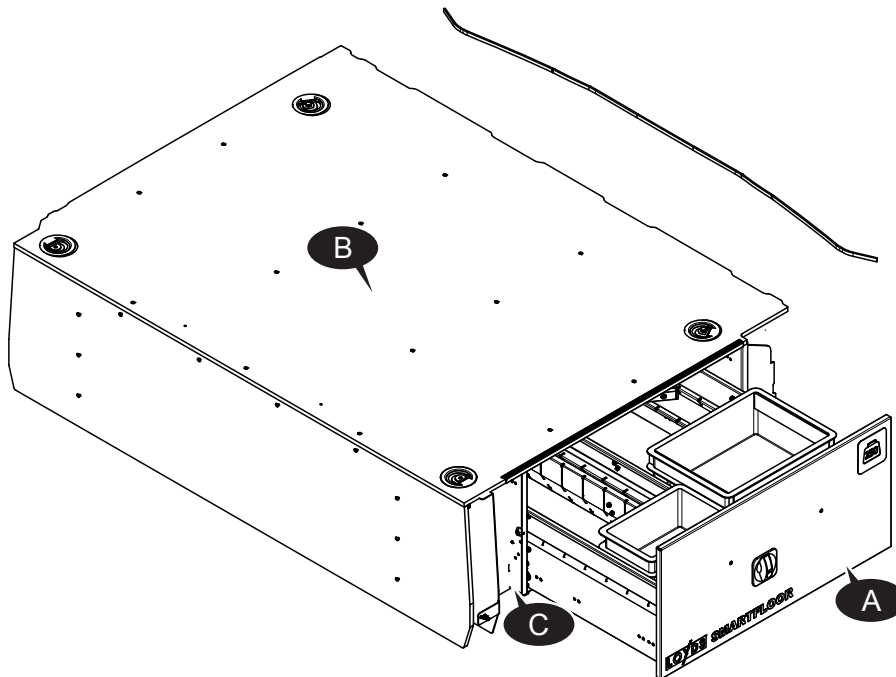
			
10, 13 mm 	10, 13 mm 	Bits T 25 T 30 T 40 	Bits PH2  

15018263_A Front Module Drawer Vito A2 Orig Sep Se 2SLD



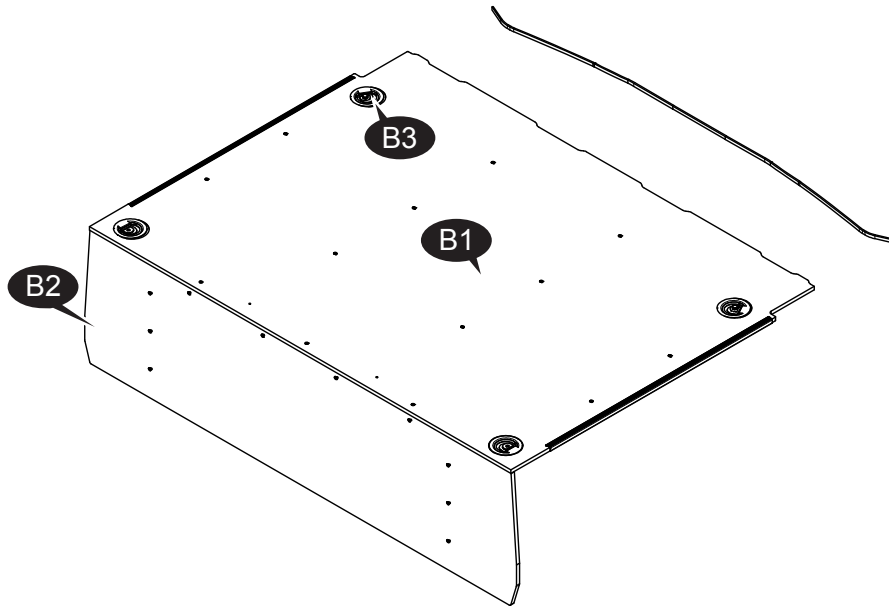
Item	Quantity	Part Number	Description
A	1	15009190	FD2 Front Drawer Complete ASSY
B	1	15018261	Floor Set SF F-Mod Drawer Vito Se Orig Sep 2SLD
C	1	15015176	Steel Bracket Set Front Mod Drawer Vito A2

15018262_A Front Module Drawer Vito A2 Orig Sep Se 1SLD



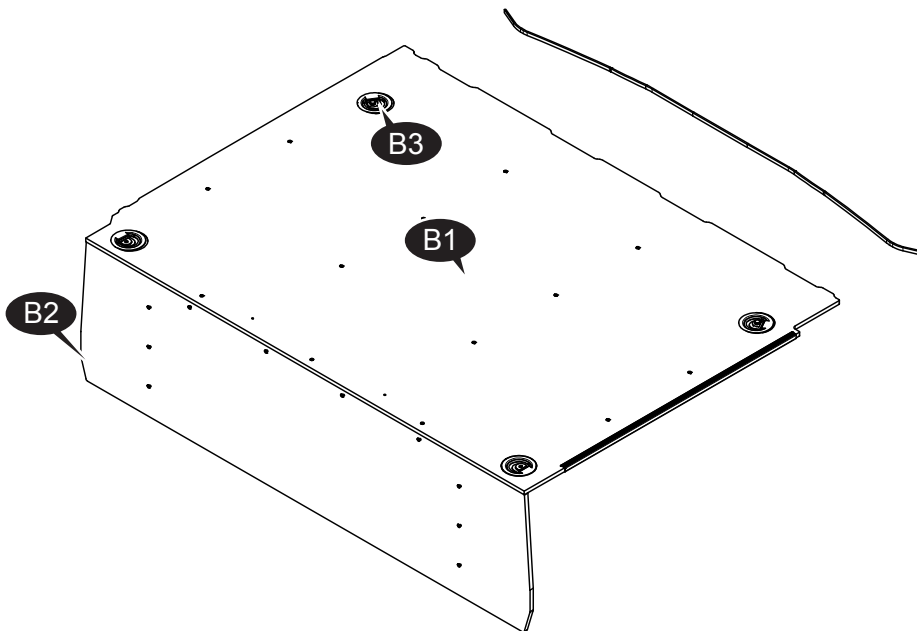
Item	Quantity	Part Number	Description
A	1	15009580	FD1 Front Drawer Complete Assy
B	1	15018260	Floor Set SF F-Mod Drawer Vito Se Orig Sep 1SLD
C	1	15015176	Steel Bracket Set Front Mod Drawer Vito A2

15018261_A Floor Set SF F-Mod Drawer Vito Se Orig Sep 2SLD



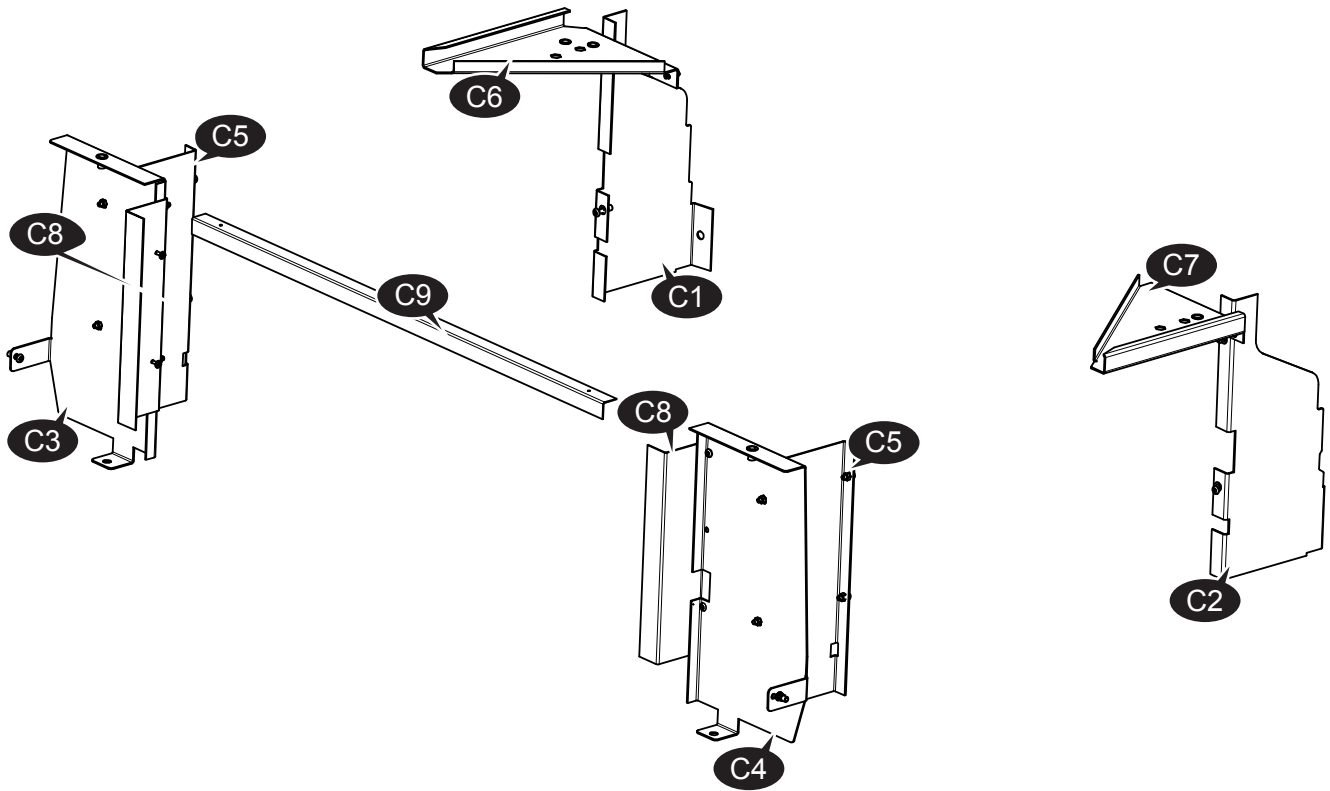
Item	Quantity	Part Number	Description
B1	1	15017831	Front Floor Vito F-Mod Orig Sep Se 2SLD ASSY
B2	1	15015182	Vertical Floor Front Mod Drawer Vito A2 2SLD
B3	1	15015177	Fitting Kit Floor Front Mod Drawer Vito A2

15018260_A Floor Set SF F-Mod Drawer Vito Se Orig Sep 1SLD



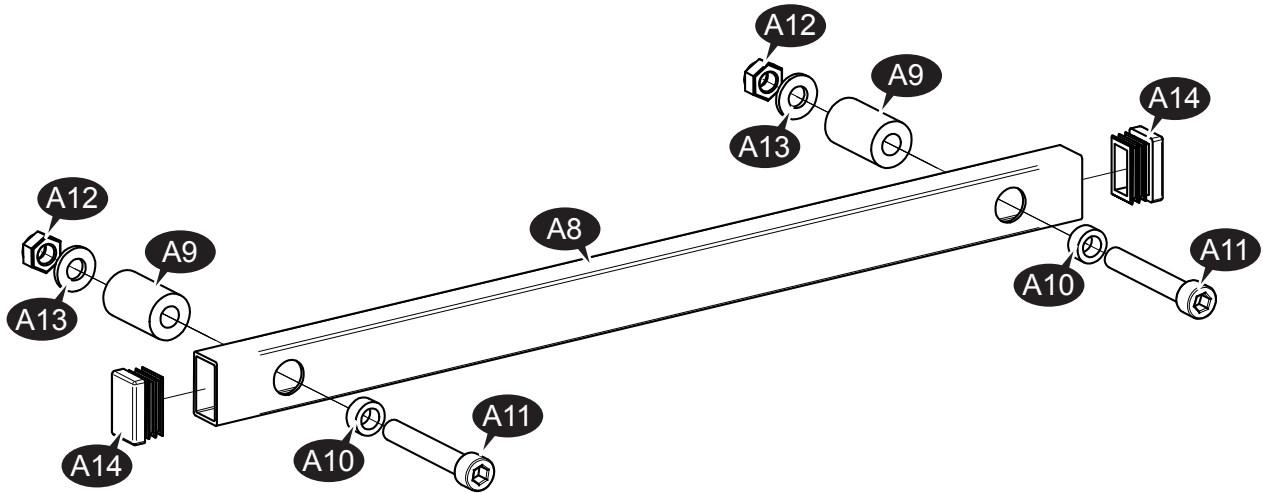
Item	Quantity	Part Number	Description
B1	1	15017830	Front Floor Vito F-Mod Orig Sep Se 1SLD ASSY
B2	1	15015182	Vertical Floor Front Mod Drawer Vito A2 2SLD
B3	1	15015177	Fitting Kit Floor Front Mod Drawer Vito A2

15015176_A Steel Bracket Set Front Mod Drawer Vito A2



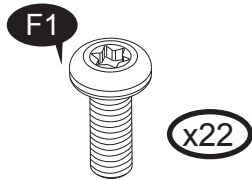
Item	Quantity	Part Number	Description
C1	1	15012335	Bracket Side Front Left Assy
C2	1	15012334	Bracket Side Front Right Assy
C3	1	15012330	Bracket Side Middle Left w Latch Assy
C4	1	15012331	Bracket Side Middle Right w Latch Assy
C5	2	15012319	Bracket Connect Front Rear Drawer
C6	1	15011032	Bracket Latchcup M8 Multi Left Assy
C7	1	15011031	Bracket Latchcup M8 Multi Right Assy
C8	2	15015181	Bracket Vertical Floor Front Mod Drawer Vito
C9	1	15012687	Angle Vertical Floor Rear Module Drawer
	1	15015178	Fitting Kit Steel Bracket Set Front Mod Drawer Vito A2

15010236 Handle Assy

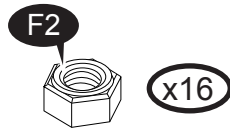


Item	Quantity	Part Number	Description
A8	1	15009441	Handle Tube 25x15x286
A9	2	15009442	Spacer Ø8,3x18x30 Nylon Black
A10	2	15009443	Spacer Ø8,1x13x6mm Galv
A11	2	15009444	Screw M8x50 Cylinderh Hex
A12	2	8 NMU	Mutter M8 Nyloc DIN985
A13	2	8,4x17x2	M8 Washer, DIN 125
A14	2	15009438	End Plug Tube 25x15 Inside

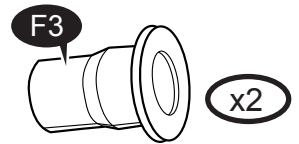
15015178_A Fitting Kit Steel Bracket Set Front Drawer Vito A2



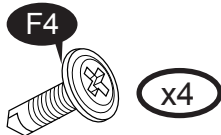
15003551
M6x16 TX30 pan (DIN 7985)



6 NMU
M6 Self Locking nut, DIN 985-8

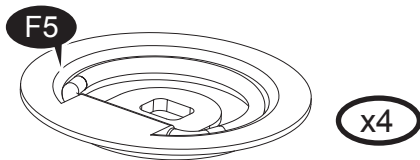


15003550
M6 Popnut short

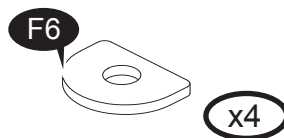


4,2x16 FLS
Screw Selfdrill flath elz

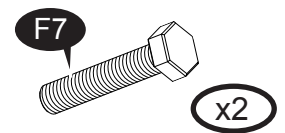
15015177_A Fitting Kit Floor Front Mod Drawer Vito A2



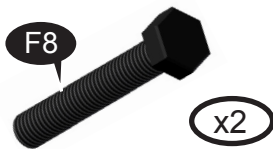
15005497
Latch Cup Black Ø90 Ø12x15 1000Kp



15005884
Washer Latchcup for Ø8



8x40 6KS
M8x40mm Bolt, DIN 933, sort



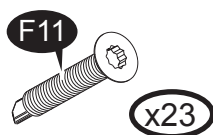
15004713
M8x50mm Bolt, 6K DIN 933 Black



15001584
Distansehylse D20 d13 h15



11,3x18x12
Distansehylse B-223 Plast



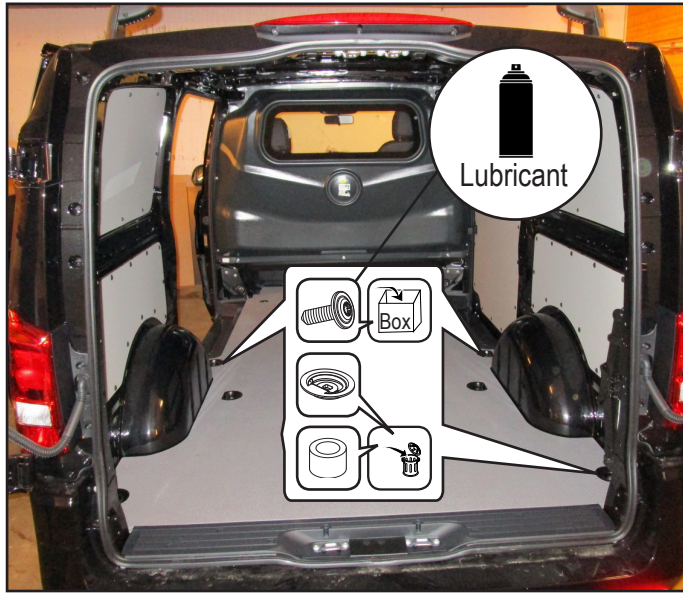
15009568
Screw 4,8x32 Selfdrill Counters Torx
Elz



36.721004
Window rubber profile
L: 1600mm

1.

L&R



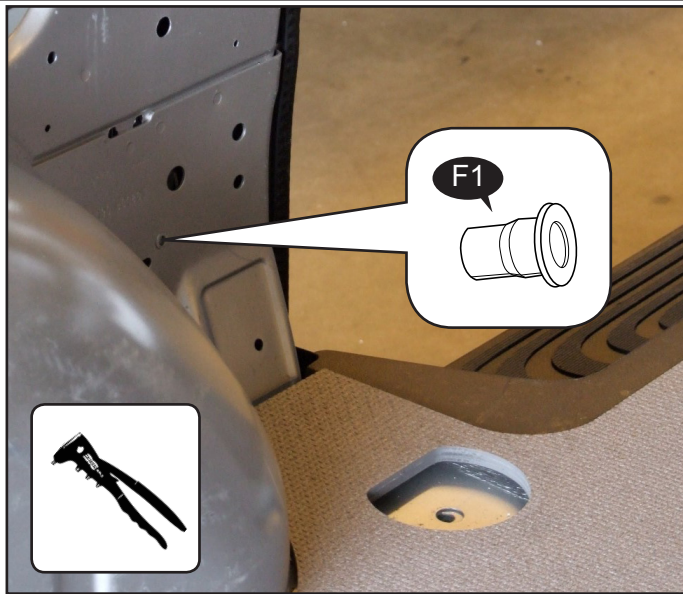
2.

RH



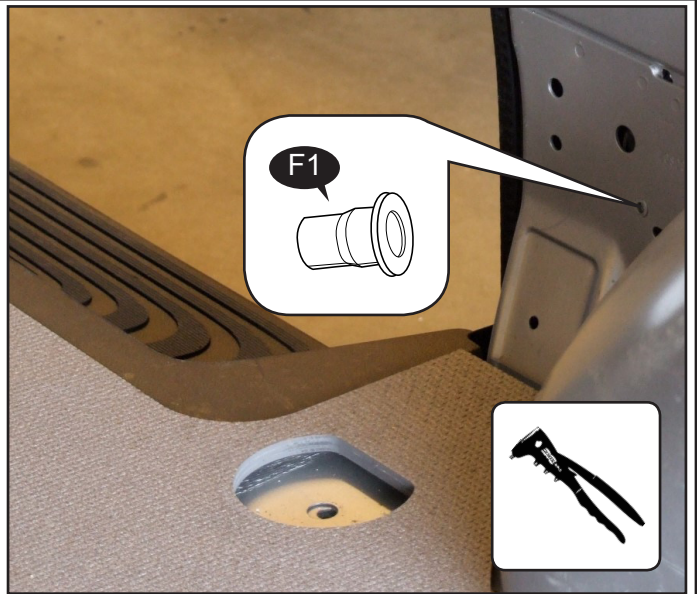
3.

LH



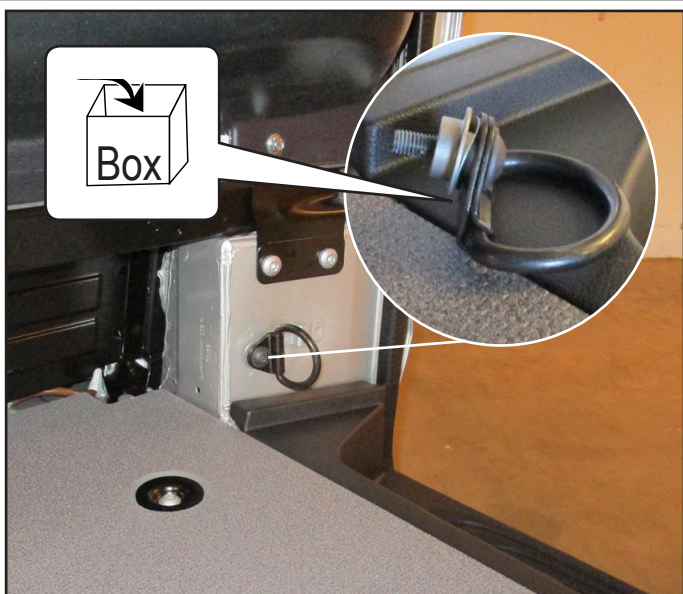
4.

RH

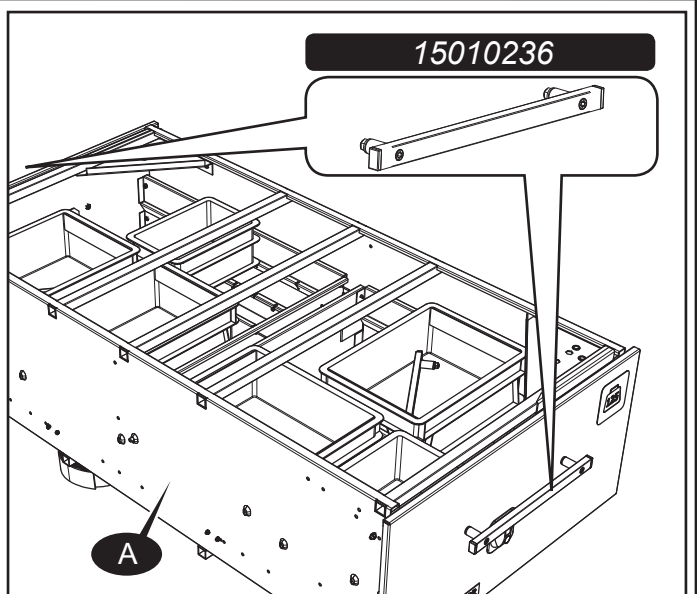


5.

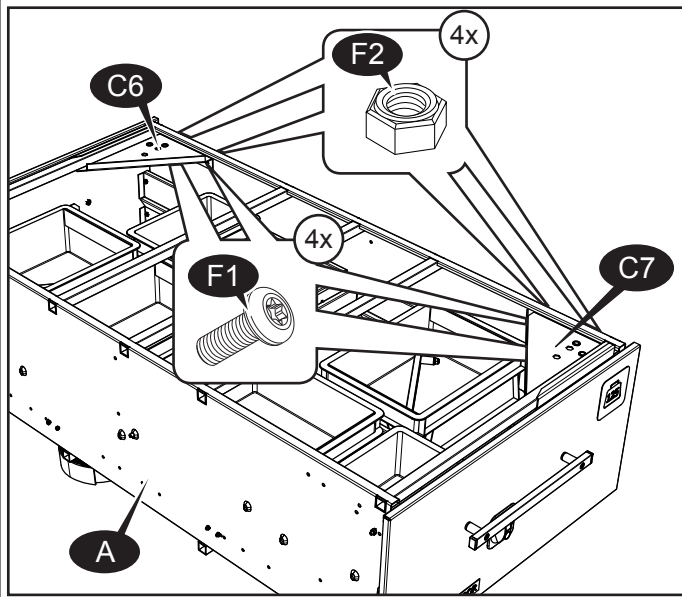
L&R



6.

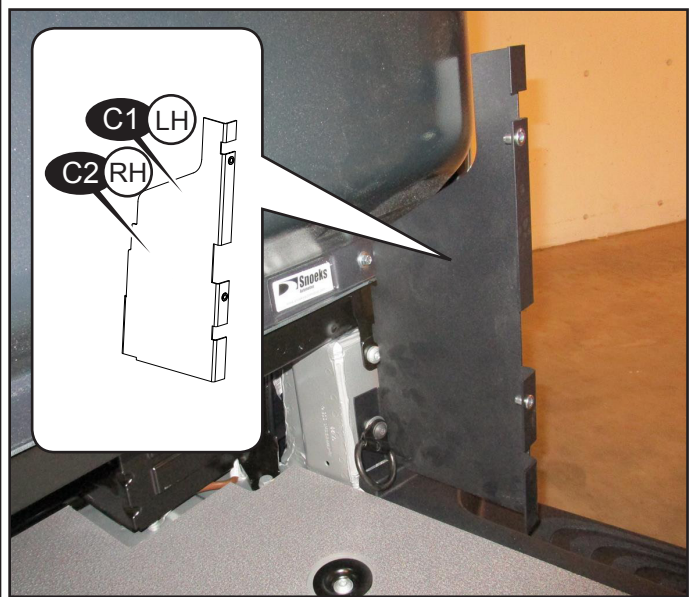


7.



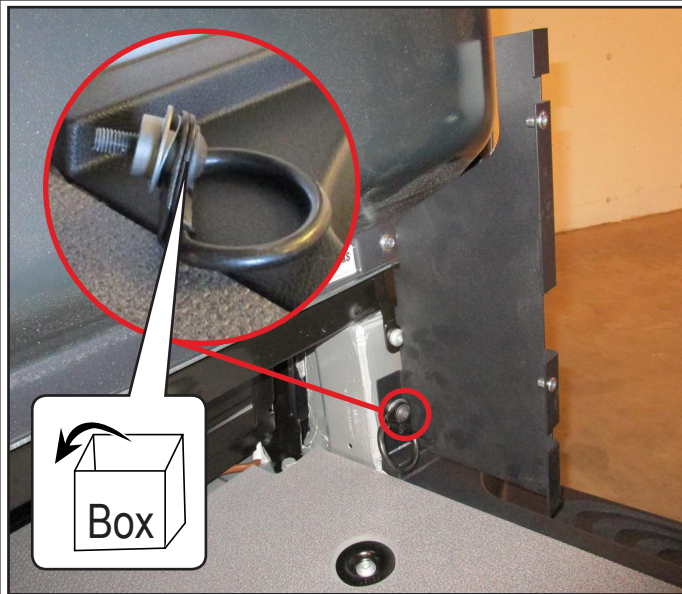
8.

L&R

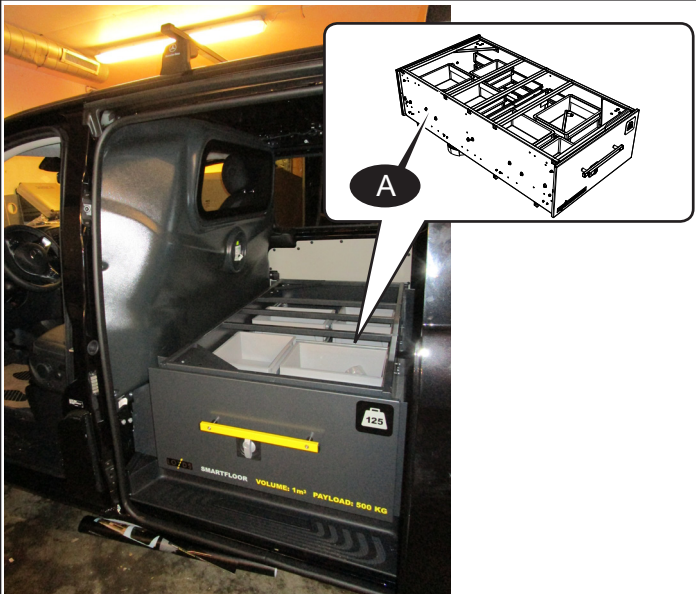


9.

L&R

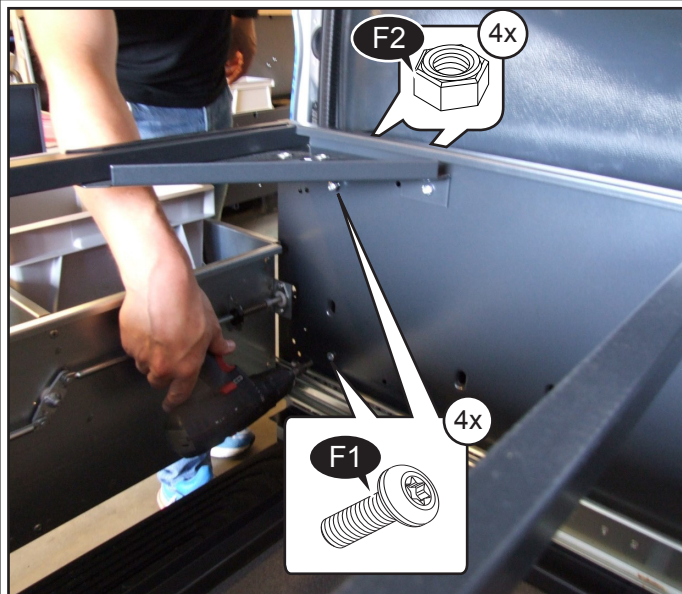


10.



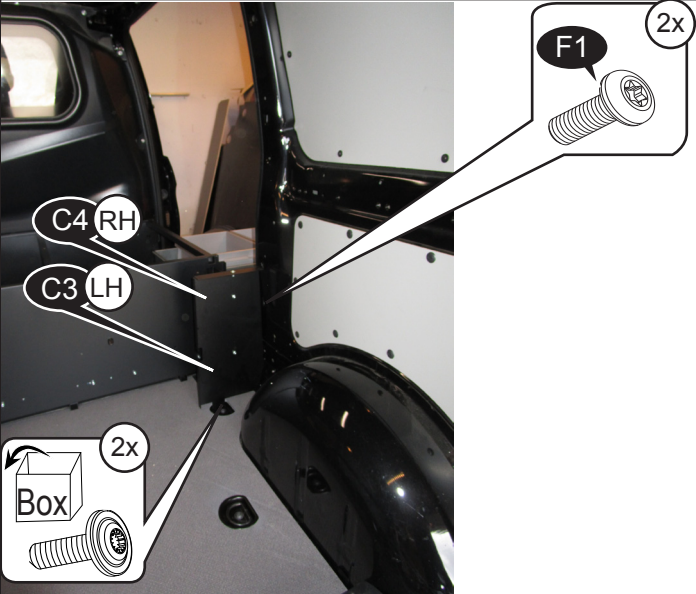
11.

L&R



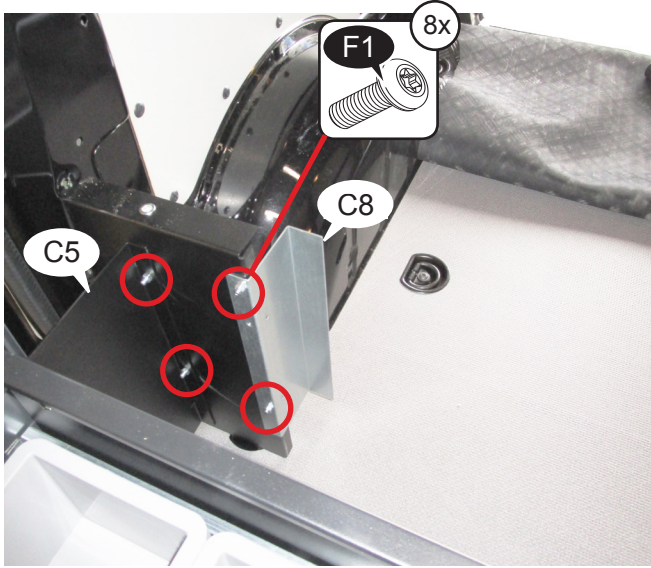
12.

L&R



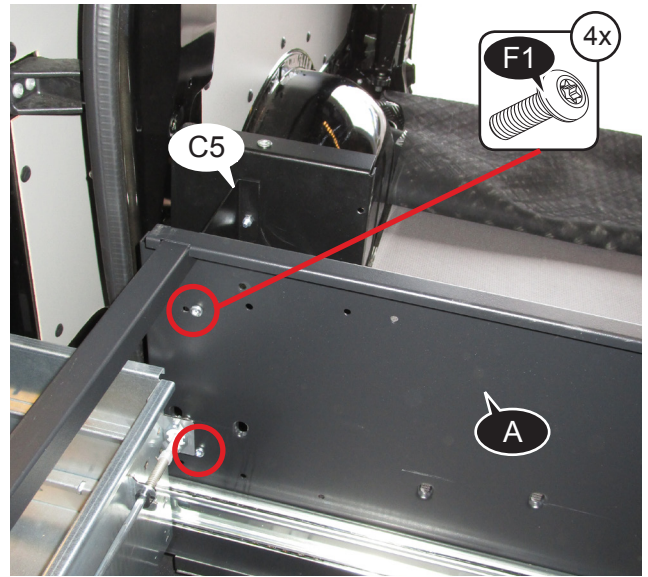
13.

L&R



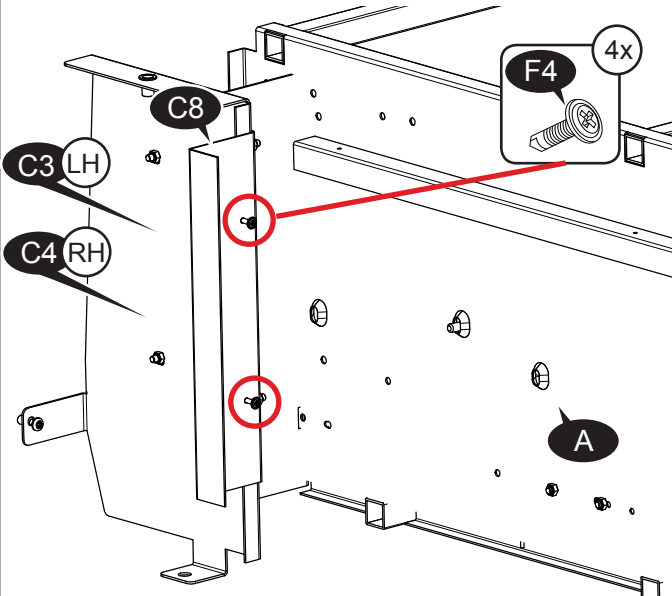
14.

L&R



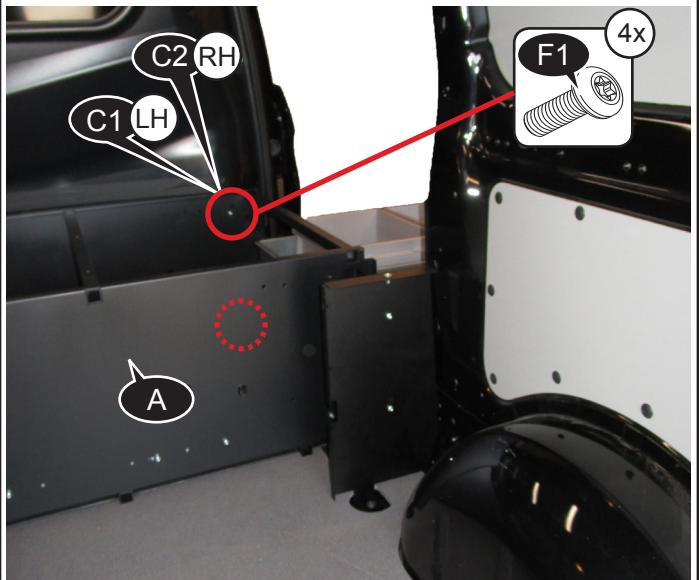
15.

L&R

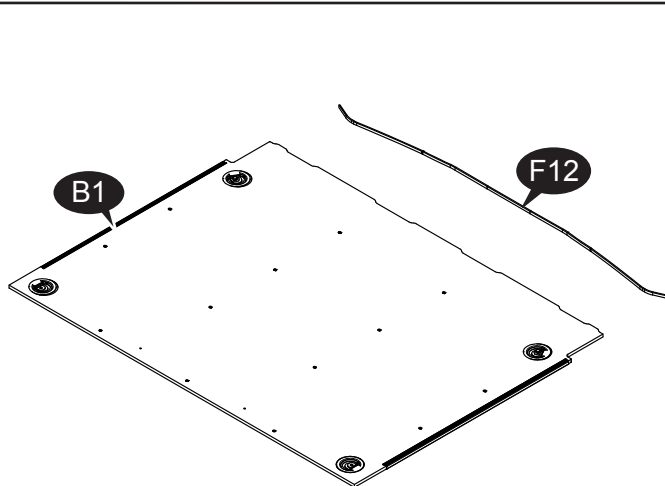


16.

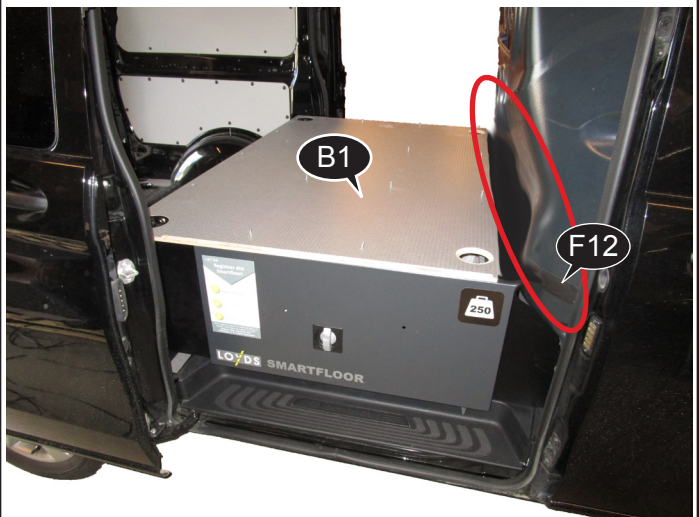
L&R



17.

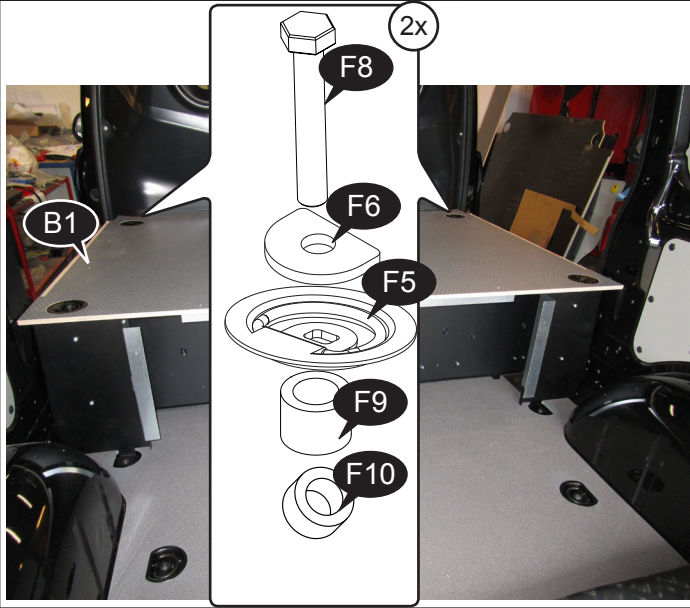


18.



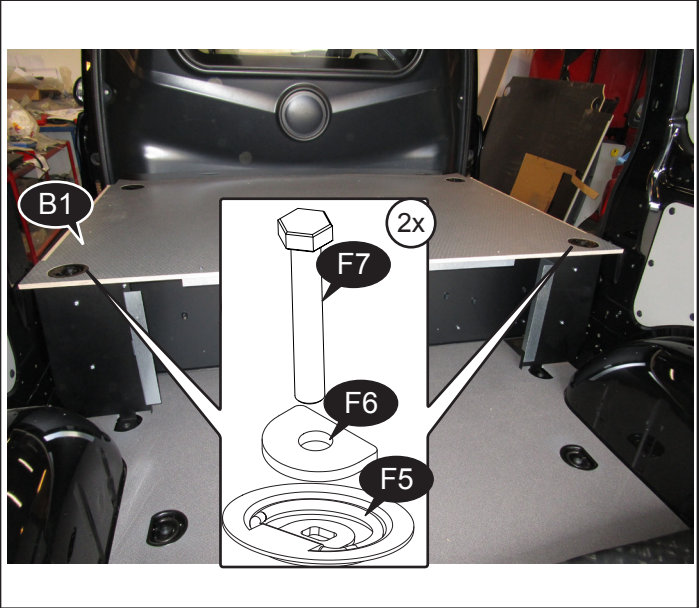
19.

L&R

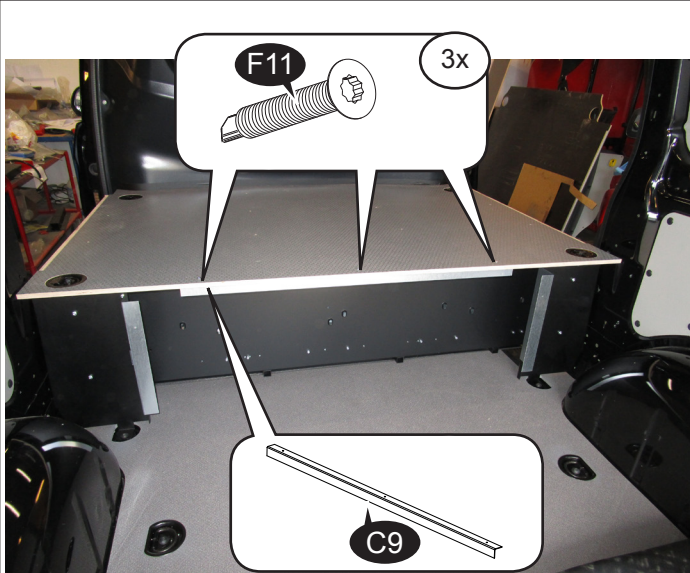


20.

L&R



21.



22.



23.

