

SMARTFLOOR

Nissan Navara, Renault Alaskan and Mercedes X-Class Plastic Bedliner Installation Manual



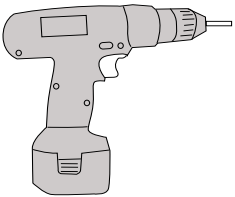


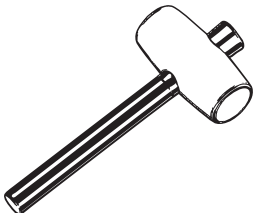
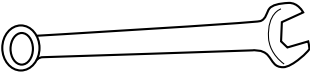
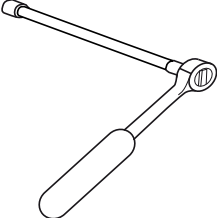
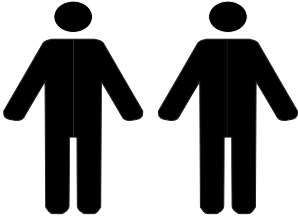


Revision Record

Rev nr	Date	Page	Picture	Update	New	Deleted steps
02	16.05.2019	6 & 7	4,5 & 7	Yes	No	No
03	23.05.2019	6 & 7	4,5 & 7	Yes	No	No

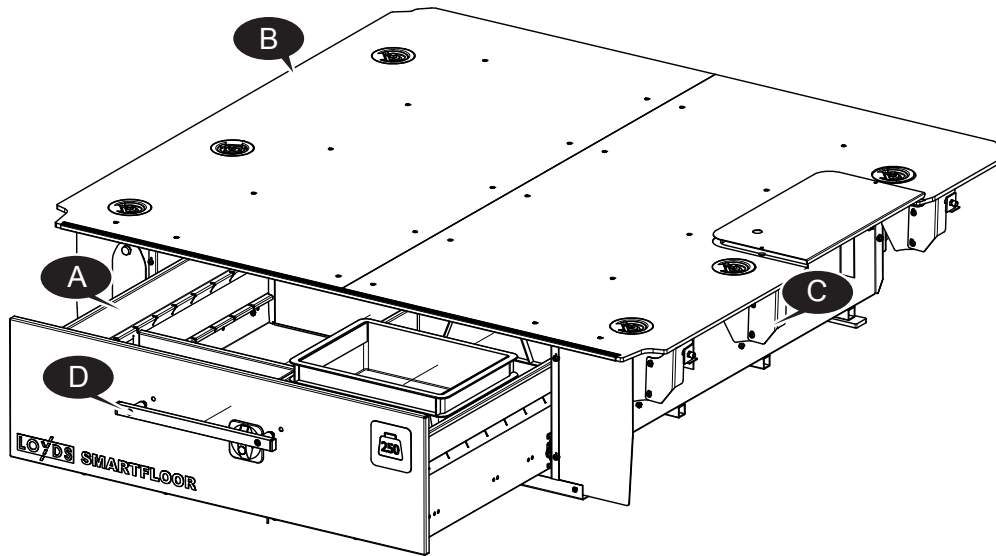
Recommended torque for screws:

4,2mm Selfdrilling: 3,6 NM
 6mm: 6 NM
 8mm: 10 NM
 10mm: 42 NM

Tools

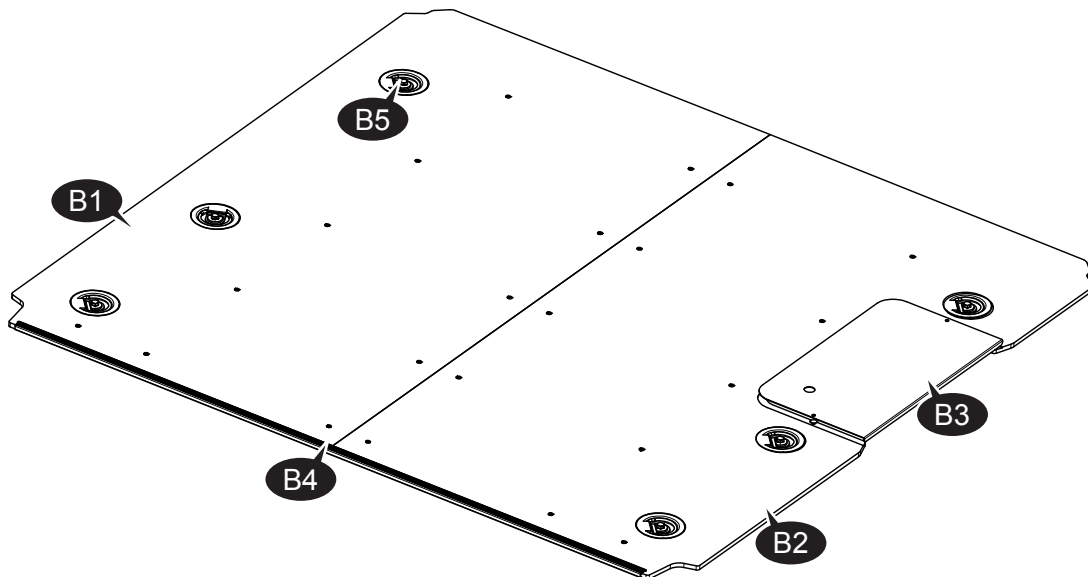
	PH 2 Torx Bits: T30 		
10-13 mm 	10-13 mm 		
			

15016970 Kit Complete SF Navara Alaskan X-Class Pickup 2019



Item	Quantity	Part Number	Description
A	1	15016910	RD Drawer 1200 Pickup Main ASSY
B	1	15016965	Floor Kit NiReMe Pickup 2019
C	1	15016968	Steelbracket Set NiReMe 2019
D	1	15010236	Handle ASSY

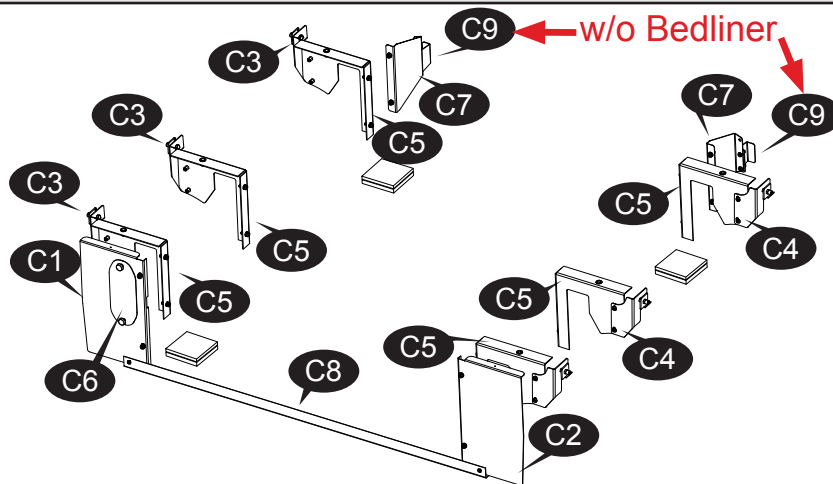
15016965 Floor Kit NiReMe Pickup 2019



15016348 Floor Kit Amarok 2019

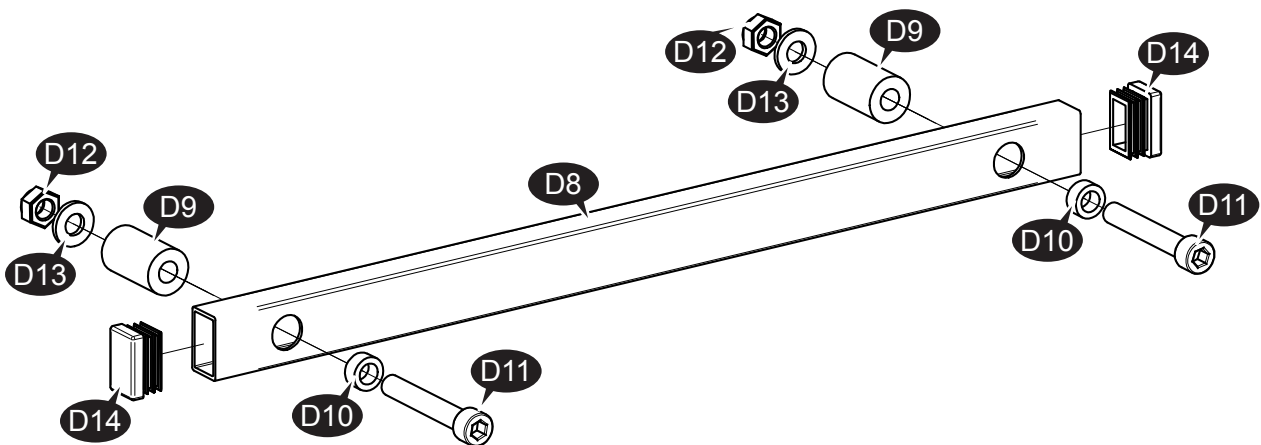
Item	Quantity	Part Number	Description
B1	1	15016961	Floor SF Left NiReMe 2019
B2	1	15016962	Floor SF Right NiReMe 2019
B3	1	15016943	Hatch Floor Right SF Ranger 2019
B4	1	15016966	U-Profile 9mm L=1399
B5	1	15016946	Fitting Kit Floor Set SF Ranger 2019

15016968 Steelbracket Set SF NiReMe 2019



Item	Quantity	Part Number	Description
C1	1	15016957	Cover Rear Left NiReMe
C2	1	15016959	Cover Rear Right NiReMe
C3	3	15016953	Bracket for Rails Left SF NiReMe
C4	3	15016960	Bracket for Rails Right SF NiReMe
C5	6	15016955	Bracket Latches SF NiReMe
C6	1	15016923	Hatch Tube Channel Amarok
C7	2	15016964	Bracket Front SF NiReMe
C8	1	15016969	Cover Angle Rear Lower SF
C9	2	15017717	Bracket Front wo Bedliner NiReMe 2019
	1	15016967	Fitting Kit Steelbracket Set SF NiReMe

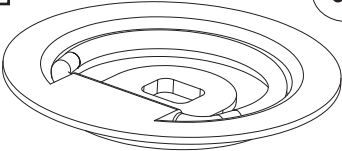
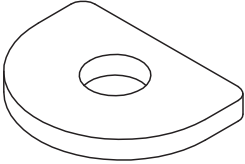
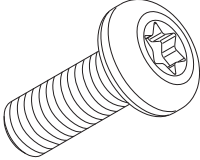
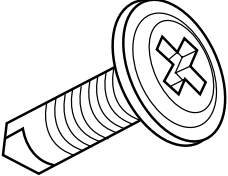
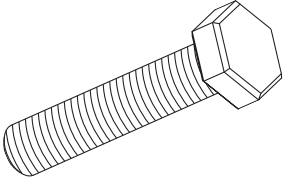
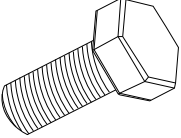
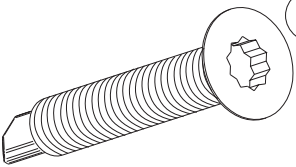
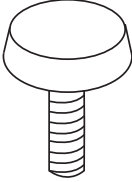
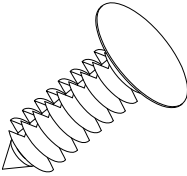
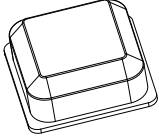
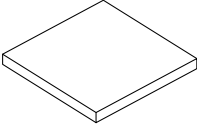
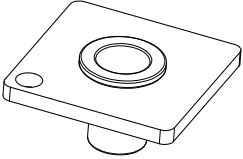
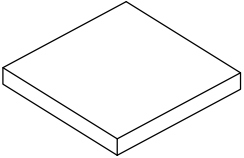
15010236 Handle Assy

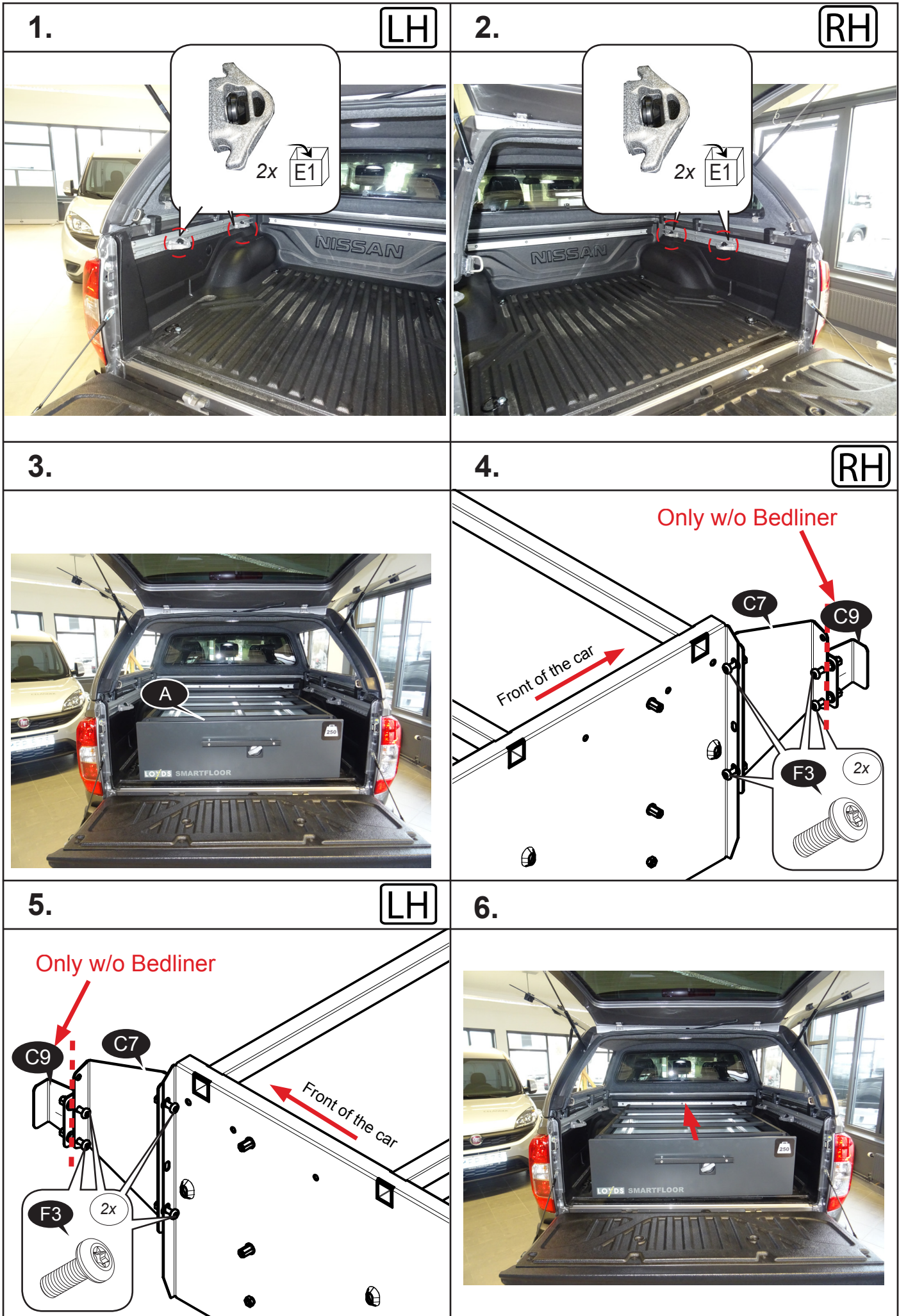


15010236 Handle Assy

Item	Quantity	Part Number	Description
D8	1	15009441	Handle Tube 25x15x286
D9	2	15009442	Spacer Ø8,3x18x30 Nylon Black
D10	2	15009443	Spacer Ø8,1x13x6mm Galv
D11	2	15009444	Screw M8x50 Cylinderh Hex
D12	2	8 NMU	Mutter M8 Nyloc DIN985
D13	2	8,4x17x2	M8 Washer, DIN 125
D14	2	15009438	End Plug Tube 25x15 Inside

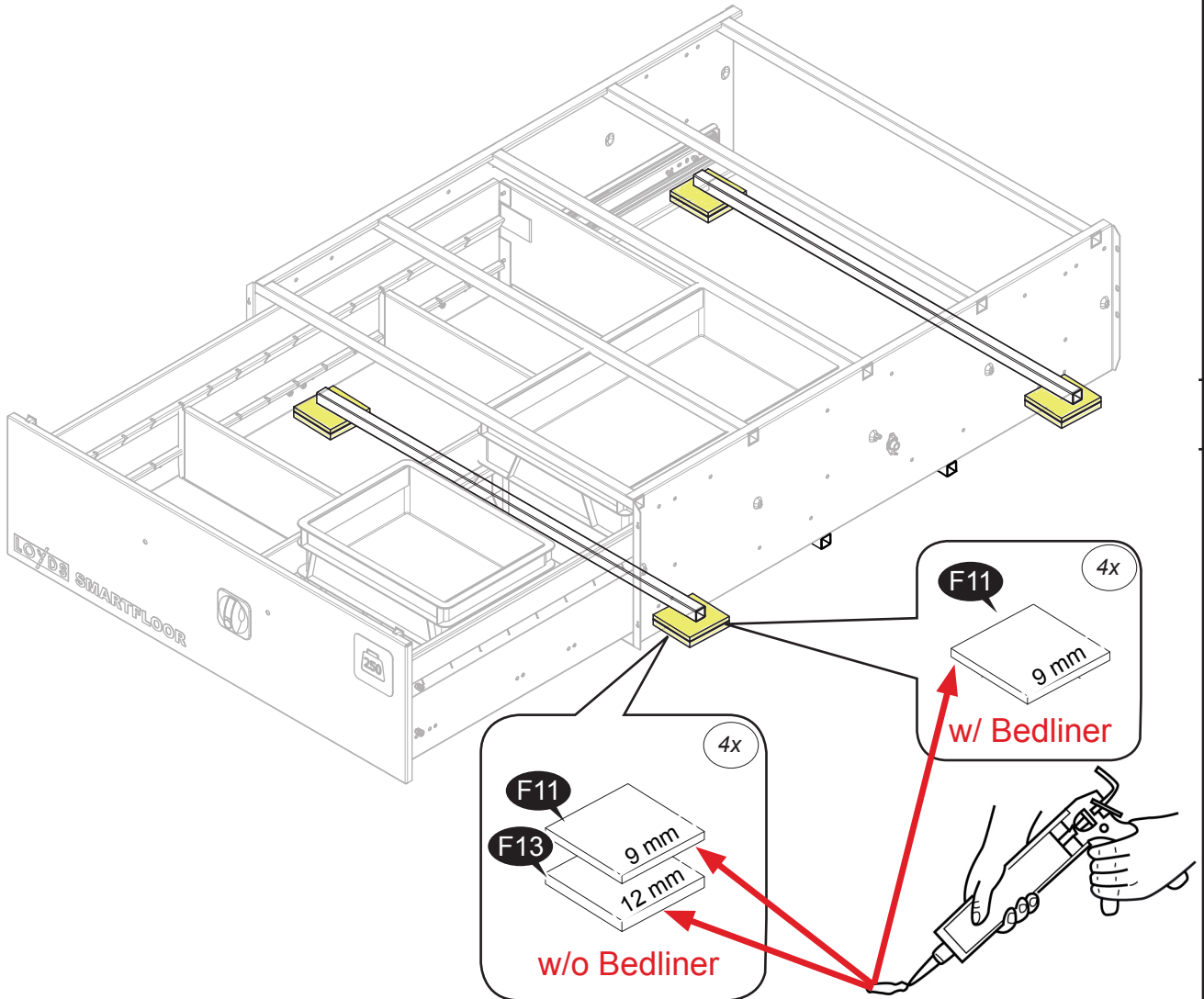
Fitting Kit

<p>F1 6x</p>  <p style="text-align: center;">15005497 Latch Cup Black Ø90 Ø12x15 1000Kp</p>	<p>F2 6x</p>  <p style="text-align: center;">15005884 Washer Latchcup for Ø8</p>	<p>F3 32x</p>  <p style="text-align: center;">15003551 M6x16 TX30 pan (DIN 7985)</p>
<p>F4 2x</p>  <p style="text-align: center;">4,2x16 FLS Platescrew selfdrilling E45759 Black</p>	<p>F5 6x</p>  <p style="text-align: center;">6x40 6KS Bolt Black, DIN 933</p>	<p>F6 6x</p>  <p style="text-align: center;">8x25 6K BL Hex-bolt DIN 933</p>
<p>F7 22x</p>  <p style="text-align: center;">15016947 Screw 4,8x25 Selfdrill Counters Torx Elz</p>	<p>F8 2x</p>  <p style="text-align: center;">M6x20 Ø20 Rattskruue M6x20 Knob</p>	<p>F9 2x</p>  <p style="text-align: center;">Sort Plastpropp Black FTB</p>
<p>F10 6x</p>  <p style="text-align: center;">225 085 6516 Gummikloss 12x12x5 sort m tape</p>	<p>F11 4x</p>  <p style="text-align: center;">Wooden Spacer 9x100x100mm 15017714</p>	<p>F12 6x</p>  <p style="text-align: center;">15017288 Bracket Rail NiReMe</p>
<p>F13 4x</p>  <p style="text-align: center;">Wooden Spacer 12x100x100 15017715</p>	<p>F14</p>	<p>F15</p>
<p>F16</p>	<p>F17</p>	<p>F18</p>
<p>F19</p>	<p>F20</p>	<p>F21</p>



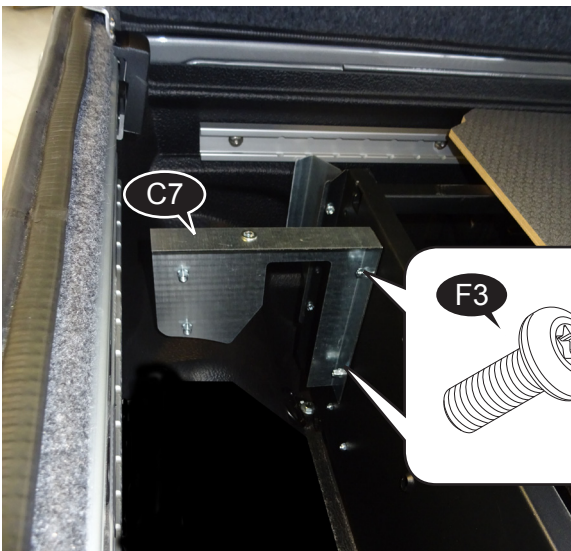
7.

L&R



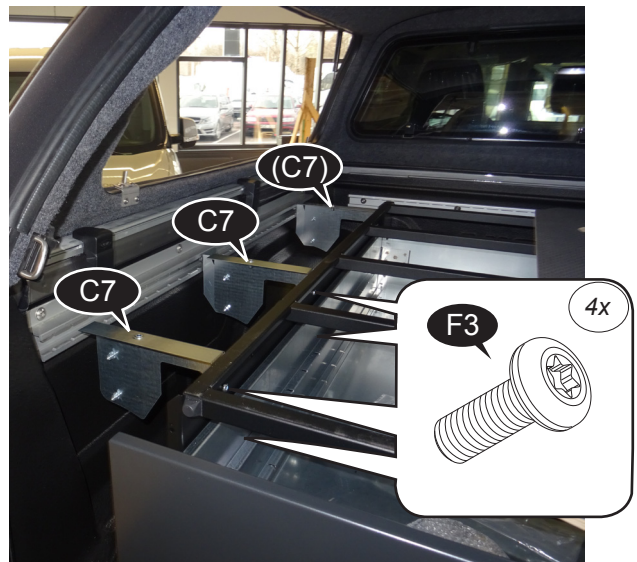
8.

L&R



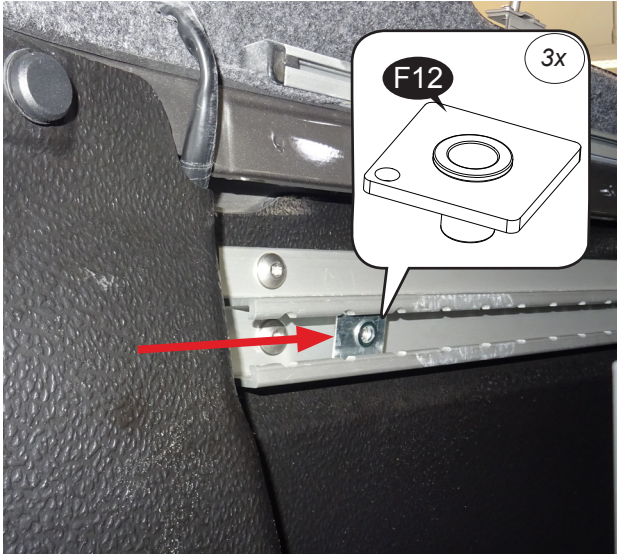
9.

L&R

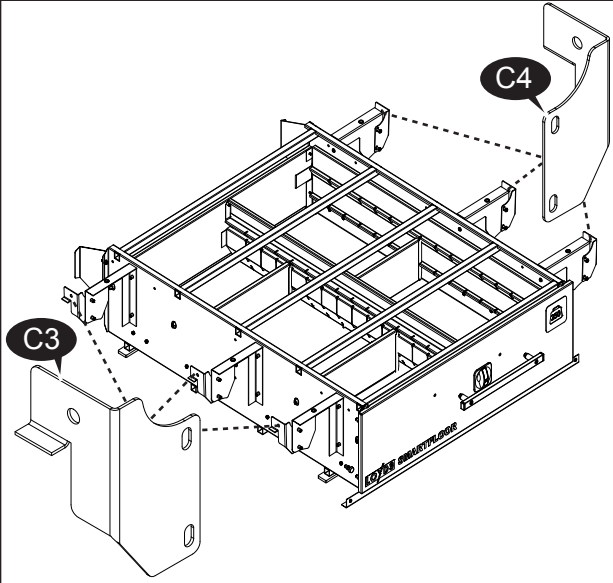


12.

L&R

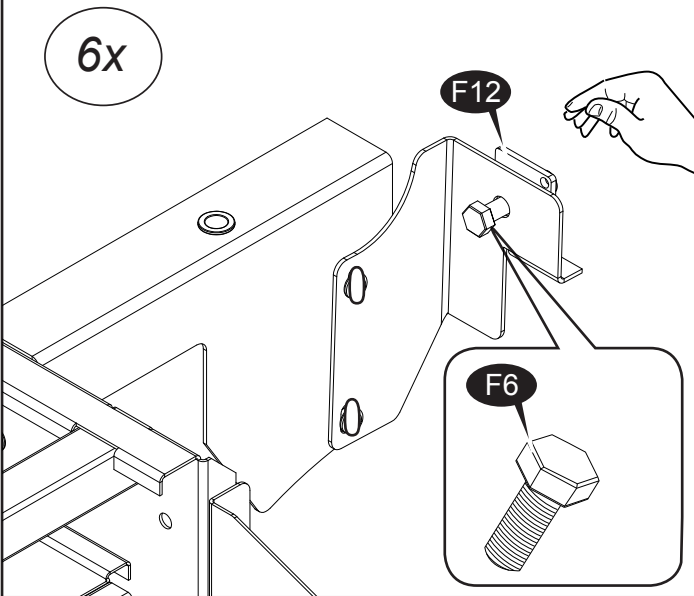


13.



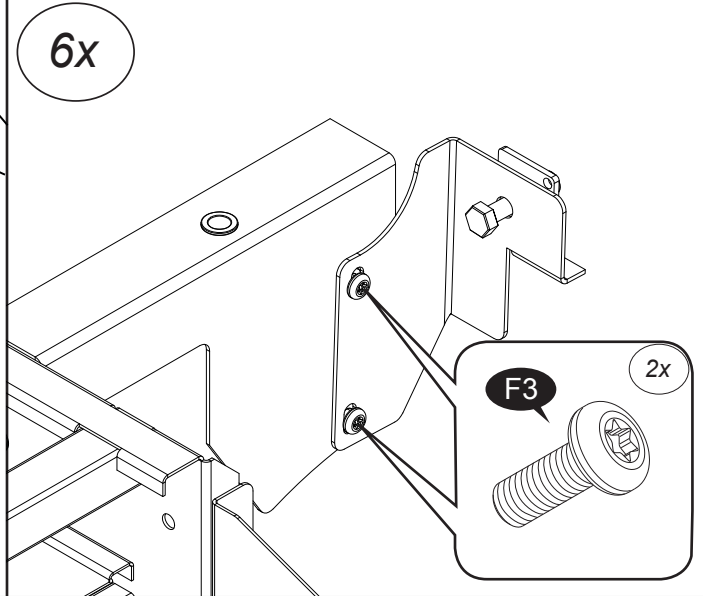
14.

L&R



15.

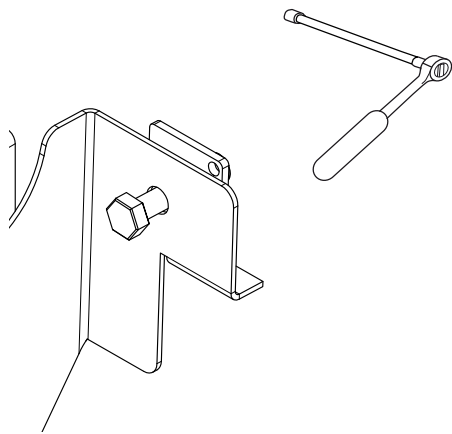
L&R



16.

17.

RH

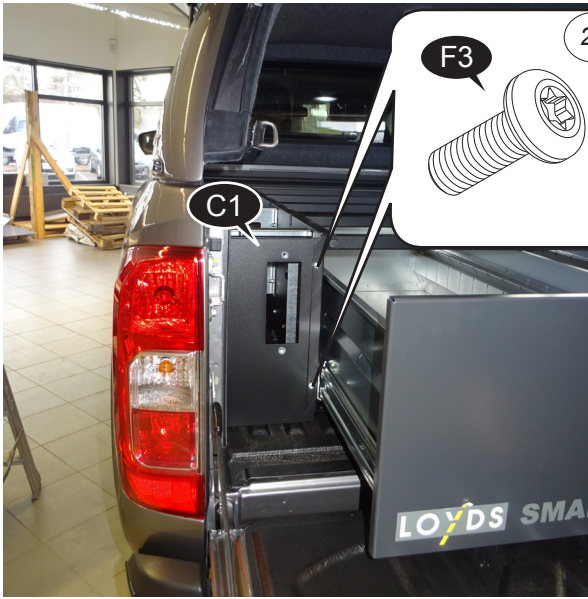


Tighten Step 14.



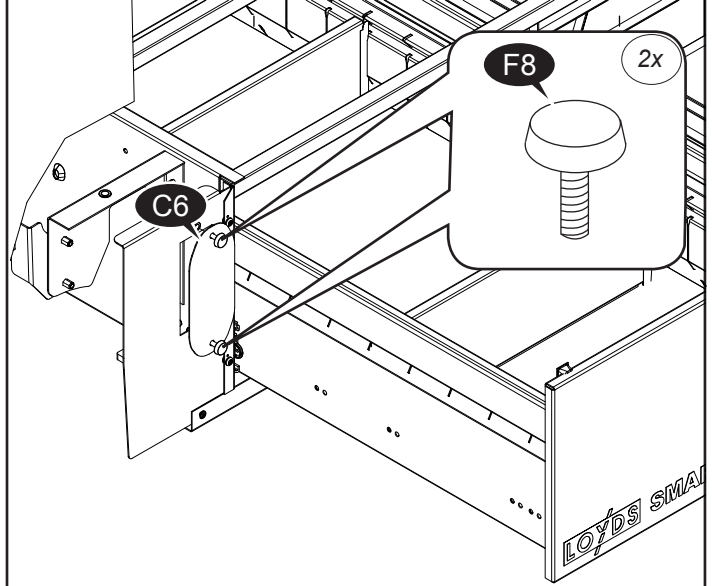
18.

LH



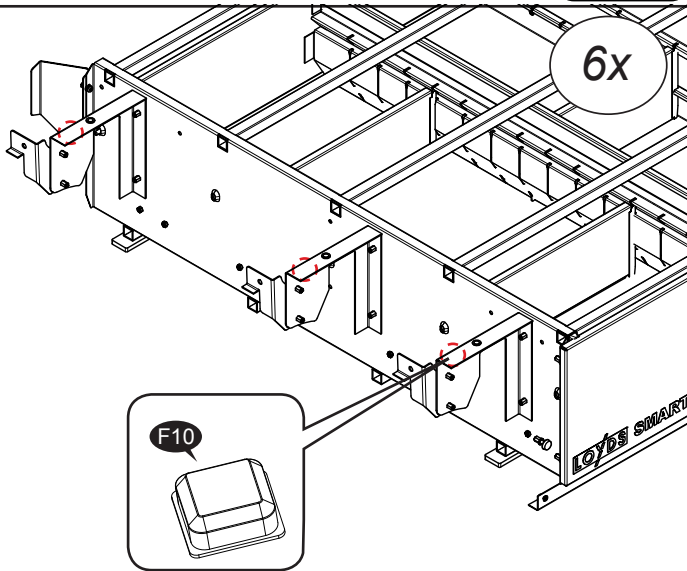
19.

LH



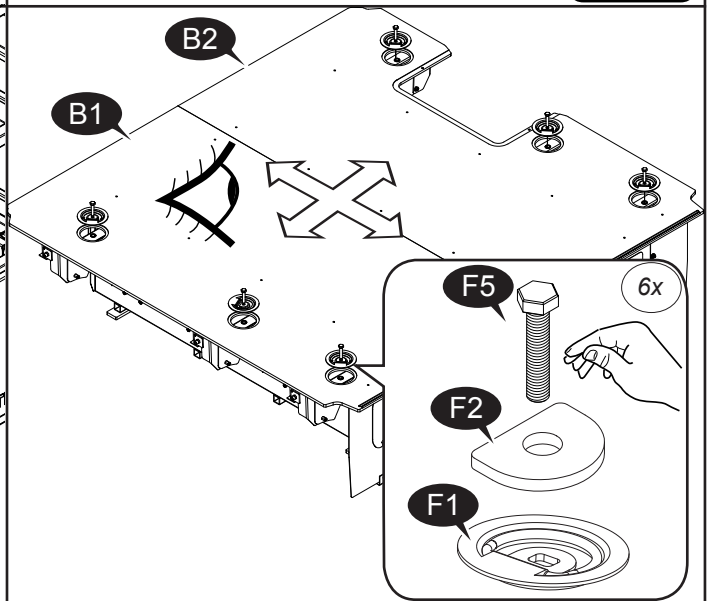
20.

L&R



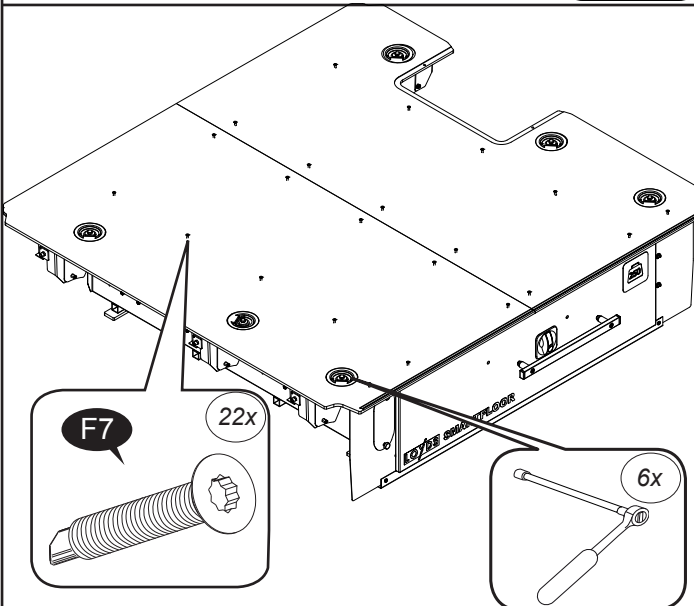
21.

L&R

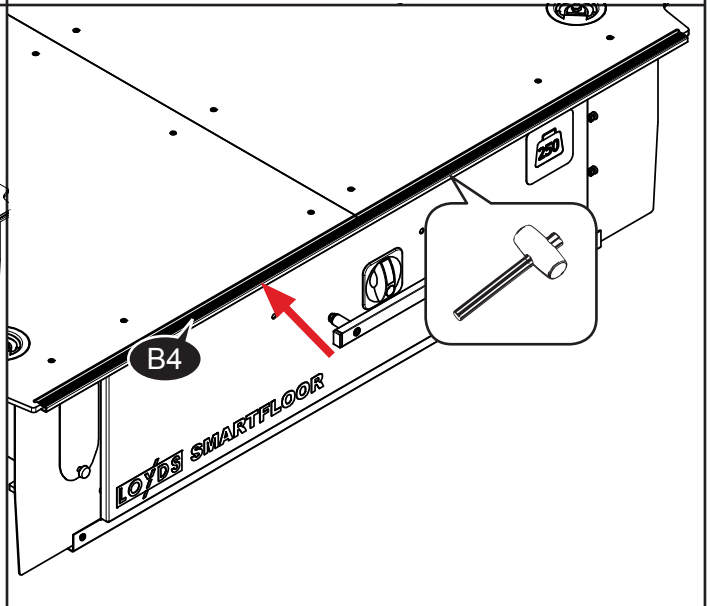


22.

L&R

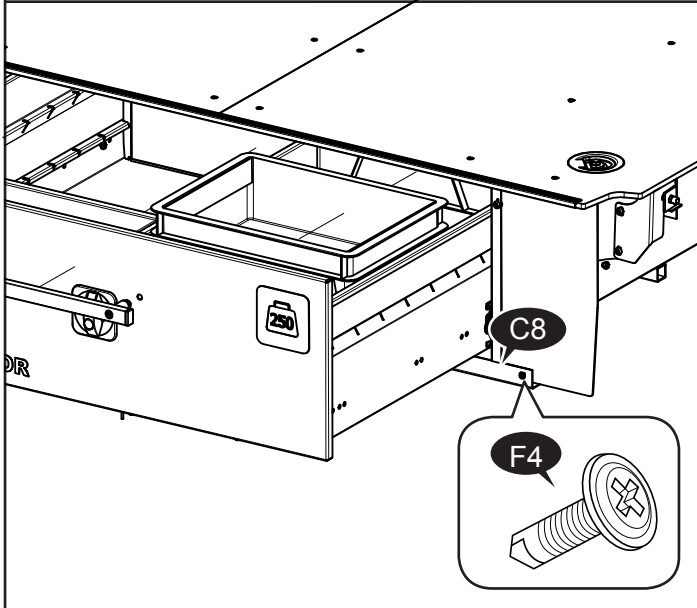


23.



24.

L&R



25.

RH

