

SMARTFLOOR

VW Se T6

PP Panels

Installation Manual



Manual nr 15016185

Rev 01 Loyds Industri AS 2018-12-13

Contents

15011281_B Smart Floor T5 / T6 Long 1SLD Se
15013200_B Smart Floor T5 / T6 Short 1SLD Se
15013392_B Smart Floor T5 / T6 Long 2SLD Se
15013391_B Smart Floor T5 / T6 Short 2SLD Se

LH Left hand side

RH Right hand side

L&R Left and right side

1SLD 1 slide door

2SLD 2 slide doors

L1 Short

L2 Long

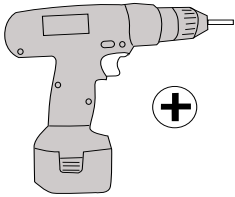
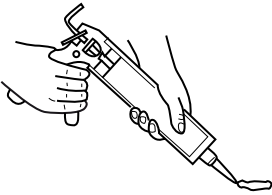
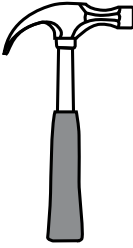
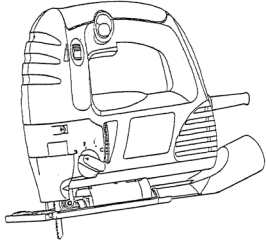
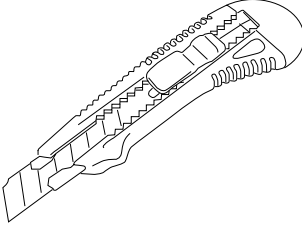
Revision Record

| Rev nr | Date | Page | Picture | Update | New | Deleted steps |
|--------|----------|------|---------|---------------|-----|---------------|
| 01 | 13.12.18 | | | Floor Set Rev | | |
| | | | | | | |
| | | | | | | |
| | | | | | | |

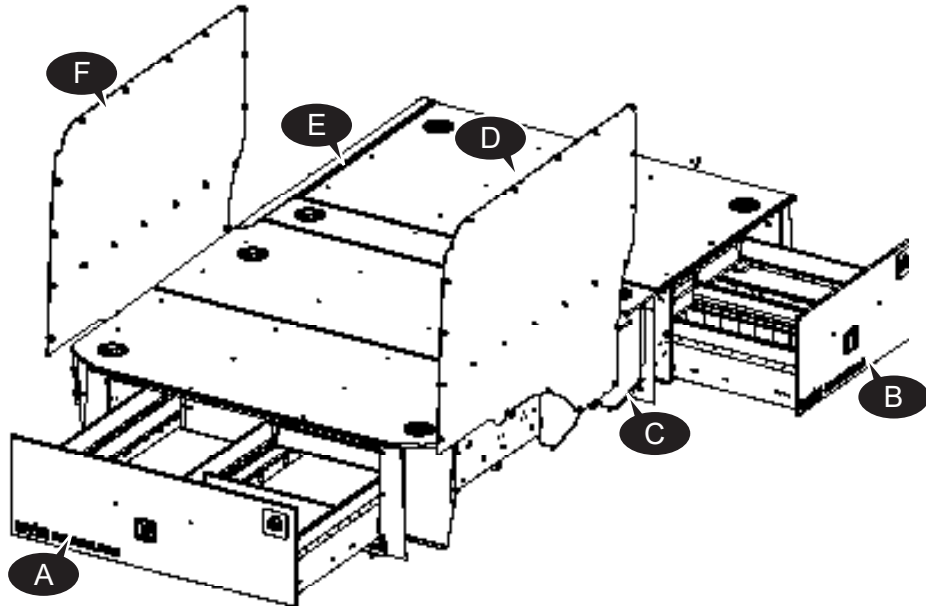
Recomended attractrion moments screws:

4,2mm Selfdrilling: 3,6 NM
 6mm: 6 NM
 8mm: 10 NM
 10mm: 42 NM

Tools

| | | | |
|---|---|--|---|
|  |  |  |  |
| 10-13 mm | 10,13, 16, 17 mm | Bits PH2 Torx T20 T25 T30 T45 6-kant 10 mm |  |
| | | | |

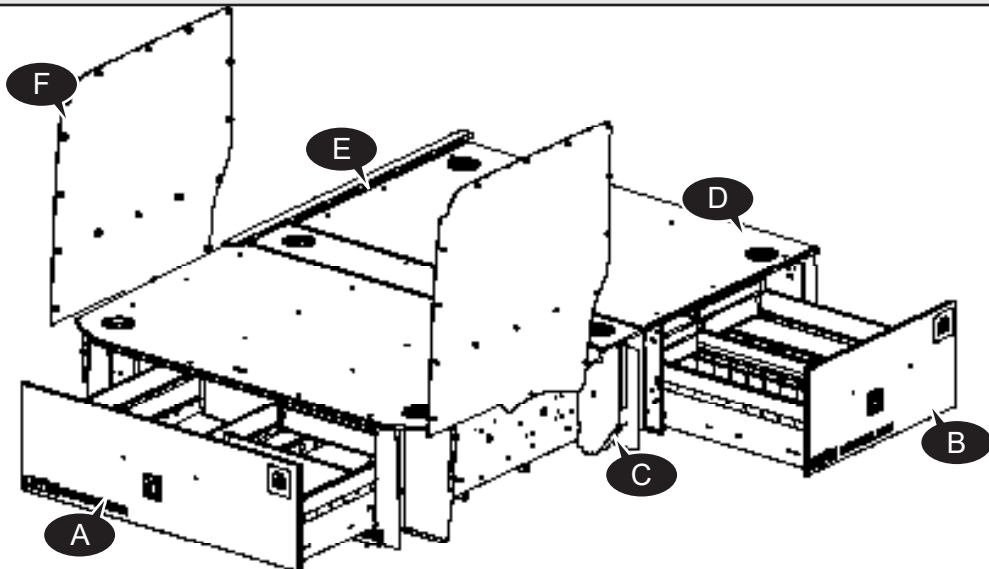
15011281_B Smart Floor T5 / T6 Long 1SLD Se



15011281 Smart Floor T5 / T6 Long 1SLD Se

| Item | Quantity | Part Number | Description |
|------|----------|-------------|--------------------------------------|
| A | 1 | 15009300 | RD Rear Drawer Complete Assy |
| B | 1 | 15009580 | FD1 Front Drawer Complete Assy |
| C | 1 | 15011277 | Steelbracket Set T6 Se Long |
| D | 1 | 15011278 | Floor Kit Long 2SLD T6 Se |
| E | 1 | 15010248 | Supplement Set T5 1SLD |
| F | 1 | 15014648 | Panel Set Rear Smartfloor T6 Long Se |

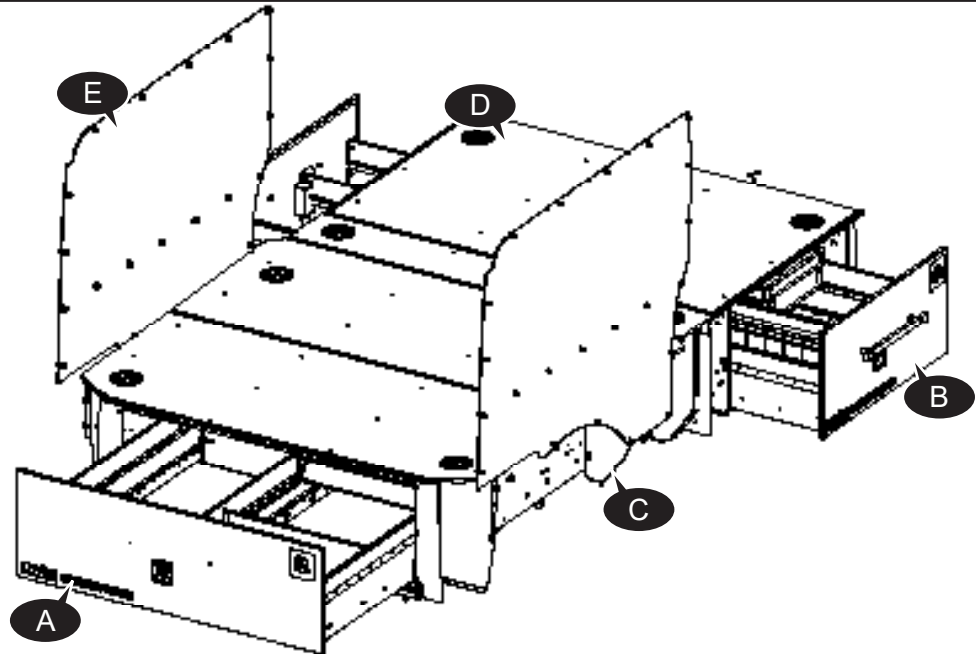
15013200_B Smart Floor T5 / T6 Short 1SLD Se



15013200 Smart Floor T5 / T6 Short 1SLD Se

| Item | Quantity | Part Number | Description |
|------|----------|-------------|--------------------------------------|
| A | 1 | 15009300 | RD Rear Drawer Complete Assy |
| B | 1 | 15009580 | FD1 Front Drawer Complete Assy |
| C | 1 | 15013198 | Steelbracket Set T6 Short Se |
| D | 1 | 15013199 | Floor Kit T6 Short 2SLD Se |
| E | 1 | 15010248 | Supplement Set T5 1SLD |
| F | 1 | 15014649 | Panel Set Rear Smartfloor T6 Long Se |

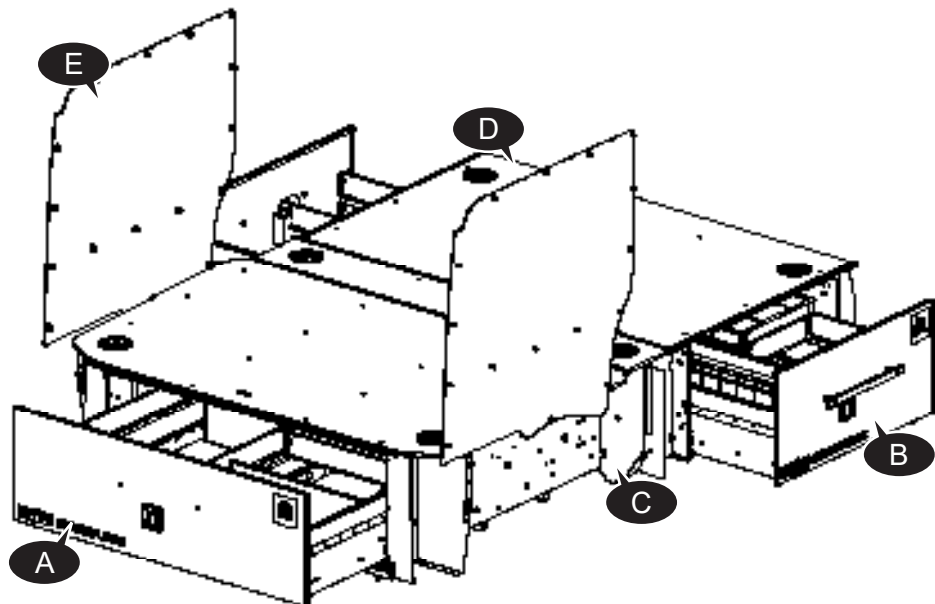
15013392_B Smart Floor T5 / T6 Long 2SLD Se



15013392 Smart Floor T5 / T6 Long 2SLD Se

| Item | Quantity | Part Number | Description |
|------|----------|-------------|--------------------------------------|
| A | 1 | 15009300 | RD Rear Drawer Complete Assy |
| B | 1 | 15009190 | FD2 Front Drawer Complete Assy |
| C | 1 | 15011277 | Steelbracket Set T6 Se Long |
| D | 1 | 15011278 | Floor Kit Long 2SLD T6 Se |
| E | 1 | 15014648 | Panel Set Rear Smartfloor T6 Long Se |

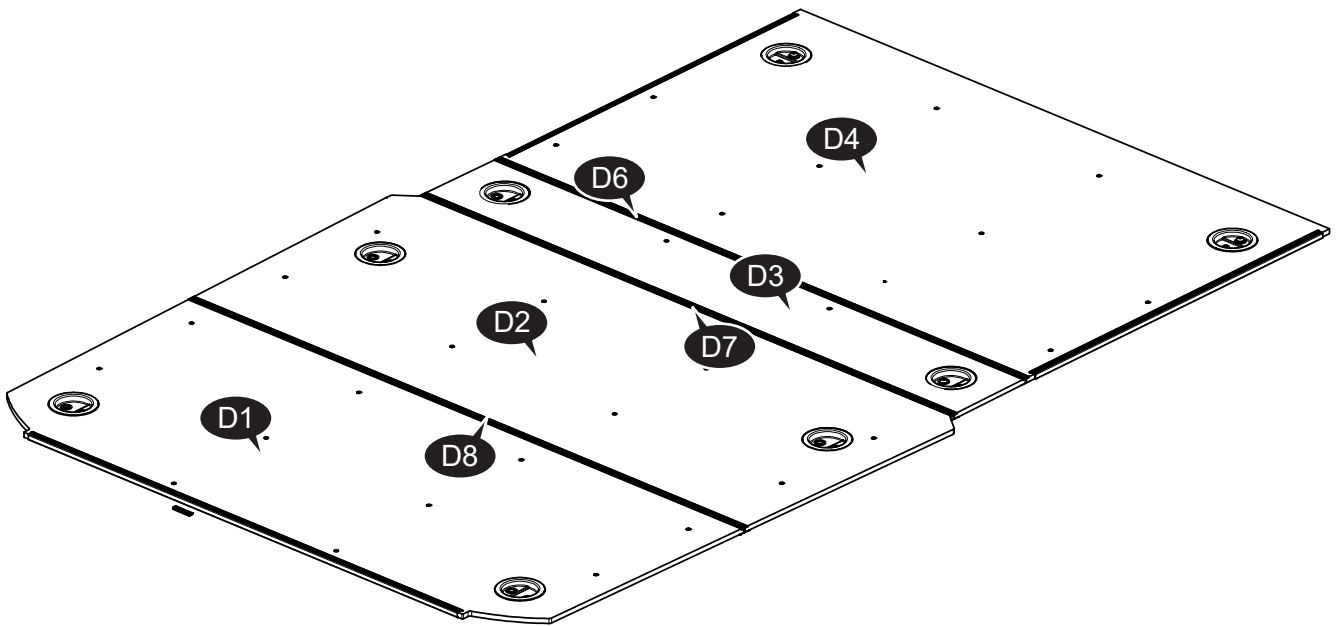
15013391_B Smart Floor T5 / T6 Short 2SLD Se



15013391 Smart Floor T5 / T6 Short 2SLD Se

| Item | Quantity | Part Number | Description |
|------|----------|-------------|--------------------------------------|
| A | 1 | 15009300 | RD Rear Drawer Complete Assy |
| B | 1 | 15009190 | FD2 Front Drawer Complete Assy |
| C | 1 | 15013198 | Steelbracket Set T6 Short Se |
| D | 1 | 15013199 | Floor Kit T6 Short 2SLD Se |
| E | 1 | 15014649 | Panel Set Rear Smartfloor T6 Long Se |

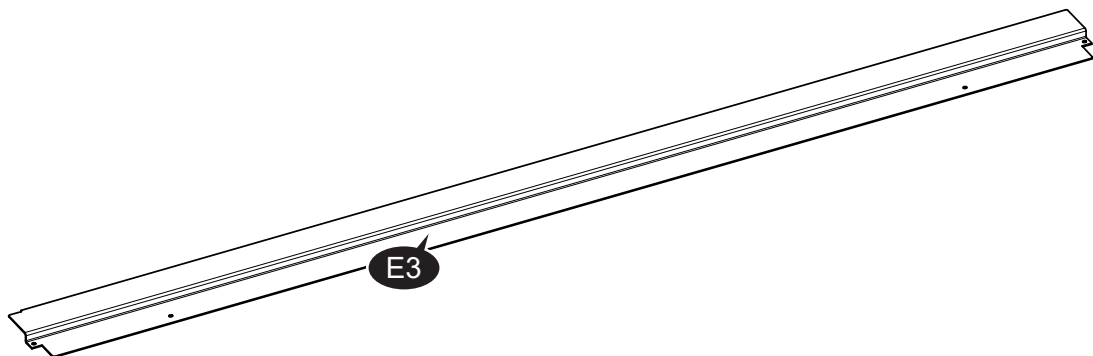
15011278_C Floor Kit Long 2SLD T6 Se ASSY



15011278_C Floor Kit Long 2SLD T6 Se

| Item | Quantity | Part Number | Description |
|------|----------|-------------|-----------------------------------|
| D1 | 1 | 15016137 | Wooden Floor Rear T6 Long ASSY |
| D2 | 1 | 15009282 | Wooden Floor Middle T5 Long |
| D3 | 1 | 15009281 | Wooden Floor Middle L1&L2 T5 |
| D4 | 1 | 15013213 | Front Floor T6 Se ASSY |
| D6 | 1 | 15009327 | H-profile 12mm L=1576 (front) T5 |
| D7 | 1 | 15009328 | H-profile 12mm L=1580 (middle) T5 |
| D8 | 1 | 15009329 | H-profile 12mm L=1648 |
| | 1 | 15011279 | Fitting Kit Floor Set T6 Se Long |

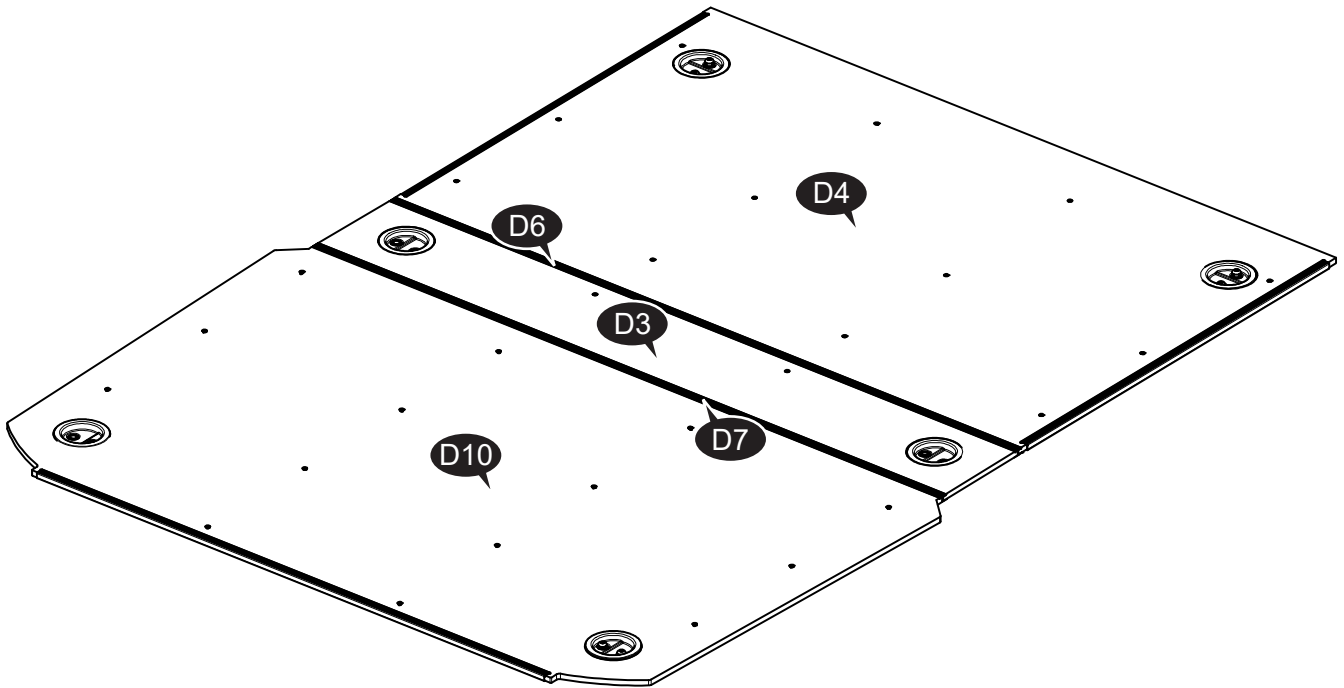
115011275_B Front Angle Floor Original Sep Se



115011275 Front Angle Floor Original Sep Se

| Item | Quantity | Part Number | Description |
|------|----------|-------------|-----------------------------------|
| E3 | 1 | 15011275 | Front Angle Floor Original Sep Se |

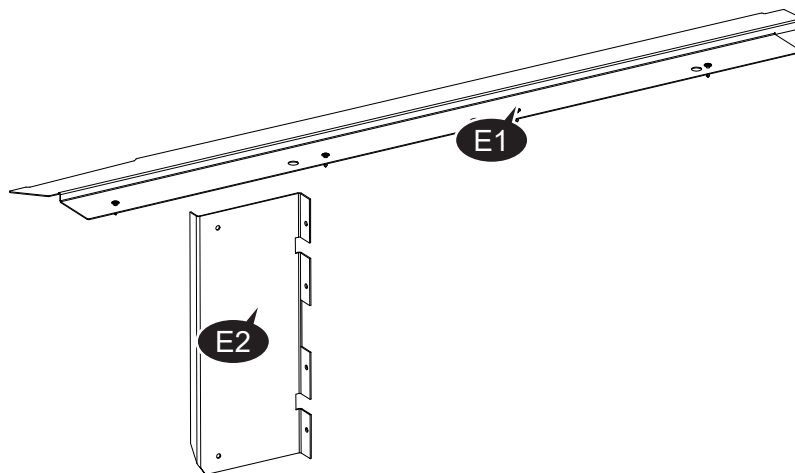
15013199_B Floor Kit T6 Short 2SLD Se



15013199_B Floor Kit T6 Short 2SLD Se

| Item | Quantity | Part Number | Description |
|------|----------|-------------|-----------------------------------|
| D3 | 1 | 15009281 | Wooden Floor Middle L1&L2 T5 |
| D4 | 1 | 15013213 | Front Floor T6 Se ASSY |
| D6 | 1 | 15009327 | H-profile 12mm L=1576 (front) T5 |
| D7 | 1 | 15009328 | H-profile 12mm L=1580 (middle) T5 |
| D10 | 1 | 15016138 | Wooden Floor Rear T6 Se Short |
| | 1 | 15013220 | Fitting Kit Floor T6 Se Short |

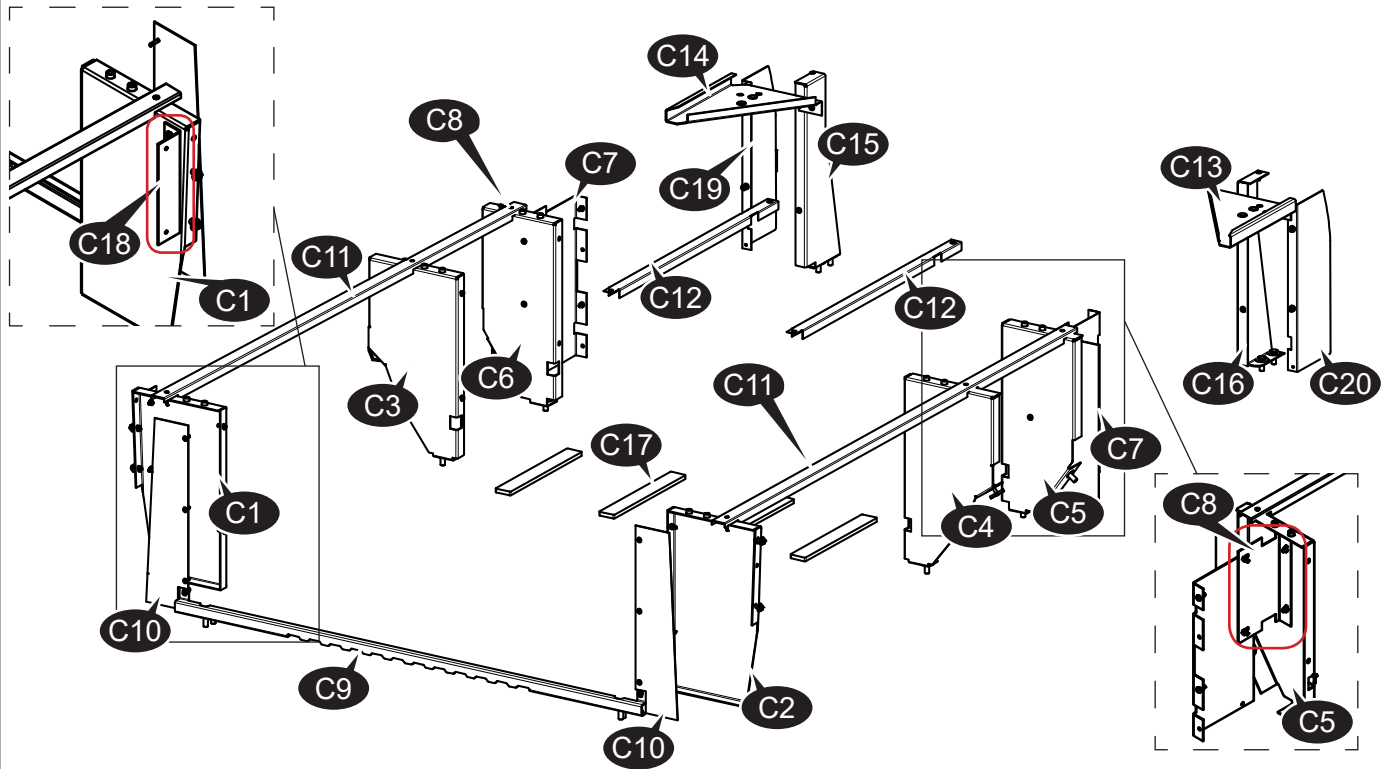
15010248 Supplement Set T5 1SLD



15010248 Supplement Set T5 1SLD

| Item | Quantity | Part Number | Description |
|------|----------|-------------|----------------------------|
| E1 | 1 | 15010245 | Floor Profile Left T5 1SLD |
| E2 | 1 | 15010246 | Cover Rear Left FD T5 1SLD |

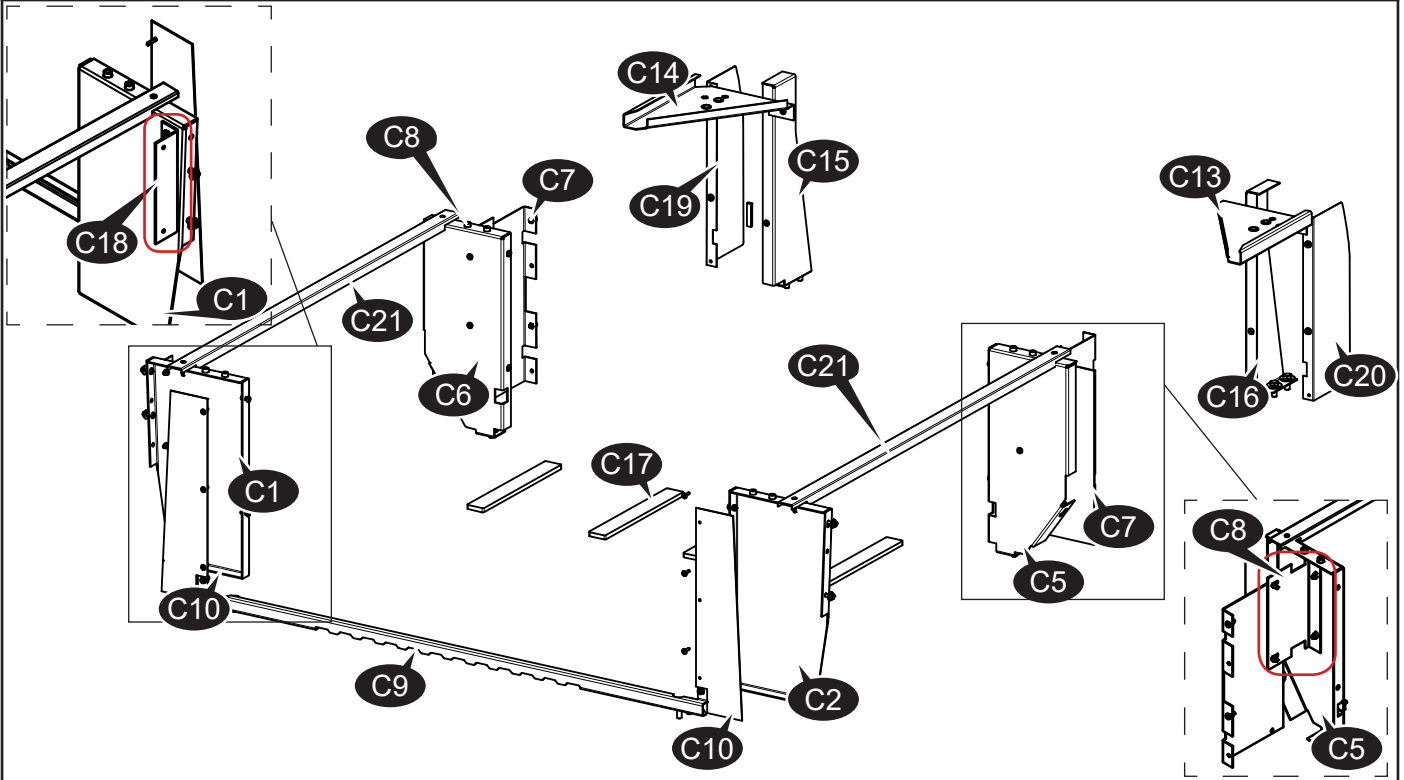
15011277 Steelbracket Set T6 Se Long



15011277 Steelbracket Set T6 Se Long

| Item | Quantity | Part Number | Description |
|------|----------|-------------|---------------------------------------|
| C1 | 1 | 15009323 | Bracket Side Rear Left T5 ASSY |
| C2 | 1 | 15009324 | Bracket Side Rear Right T5 ASSY |
| C3 | 1 | 15009321 | Bracket Side Middle Left T5 ASSY |
| C4 | 1 | 15009322 | Bracket Side Middle Right T5 ASSY |
| C5 | 1 | 15009320 | Bracket Side Front Right ASSY T5 |
| C6 | 1 | 15009319 | Bracket Side Front Left T5 ASSY |
| C7 | 2 | 15012673 | Cover Slide Door Rear FD T6 Se |
| C8 | 2 | 15009579 | Bracket Fix FD RD T5 |
| C9 | 1 | 15009445 | Rear Cover Lower Profile Assy T5 |
| C10 | 2 | 15009291 | Rear Cover Side T5 |
| C11 | 2 | 15009292 | Stiffener Floor Longitude T5 Long |
| C12 | 2 | 15009293 | Stiffener Rear Front Drawer T5 Long |
| C13 | 1 | 15011033 | Bracket Latchcup M10 Multi Right ASSY |
| C14 | 1 | 15011034 | Bracket Latchcup M10 Multi Left ASSY |
| C15 | 1 | 15011274 | Bracket Front Left T6 Se |
| C16 | 1 | 15011273 | Bracket Front Right T6 Se |
| C17 | 4 | 05-99626 | Avstandskloss 300x40x9 |
| C18 | 1 | 15009915 | Bracket El-connector T5 |
| C19 | 1 | 15013194 | Cover Front Left FD T6 Se ASSY |
| C20 | 1 | 15013195 | Cover Front Right FD T6 Se ASSY |

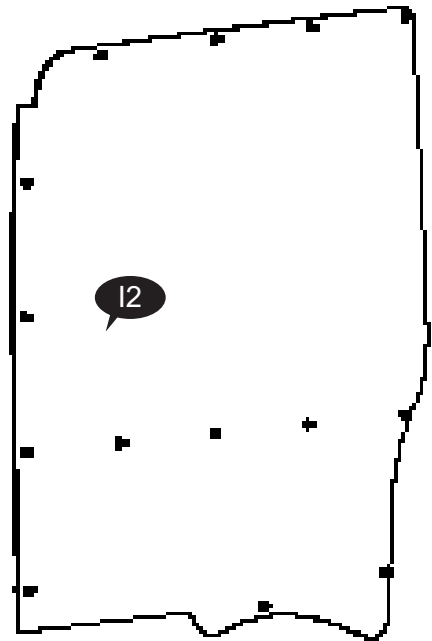
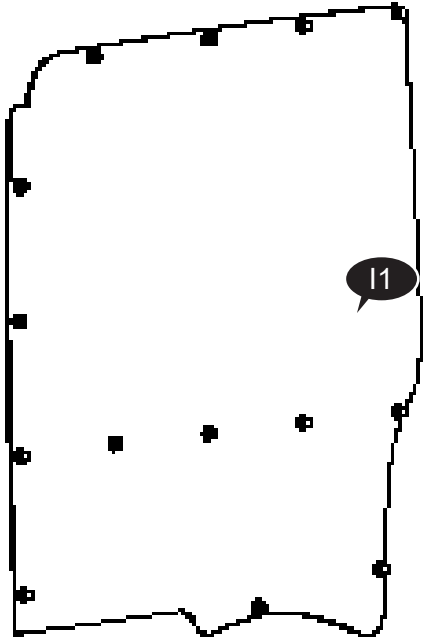
15013198 Steelbracket Set T6 Short Se



15013198 Steelbracket Set T6 Short Se

| Item | Quantity | Part Number | Description |
|------|----------|-------------|---------------------------------------|
| C1 | 1 | 15009323 | Bracket Side Rear Left T5 ASSY |
| C2 | 1 | 15009324 | Bracket Side Rear Right T5 ASSY |
| C5 | 1 | 15009320 | Bracket Side Front Right ASSY T5 |
| C6 | 1 | 15009319 | Bracket Side Front Left T5 ASSY |
| C7 | 2 | 15012673 | Cover Slide Door Rear FD T6 Se |
| C8 | 2 | 15009579 | Bracket Fix FD RD T5 |
| C9 | 1 | 15009445 | Rear Cover Lower Profile Assy T5 |
| C10 | 2 | 15009291 | Rear Cover Side T5 |
| C13 | 1 | 15011033 | Bracket Latchcup M10 Multi Right ASSY |
| C14 | 1 | 15011034 | Bracket Latchcup M10 Multi Left ASSY |
| C15 | 1 | 15011274 | Bracket Front Left T6 Se |
| C16 | 1 | 15011273 | Bracket Front Right T6 Se |
| C17 | 4 | 05-99626 | Avstandskloss 300x40x9 |
| C18 | 1 | 15009915 | Bracket EI-connector T5 |
| C19 | 1 | 15013194 | Cover Front Left FD T6 Se ASSY |
| C20 | 1 | 15013195 | Cover Front Right FD T6 Se ASSY |
| C21 | 2 | 15009294 | Stiffener Floor Longitude T5 Short |

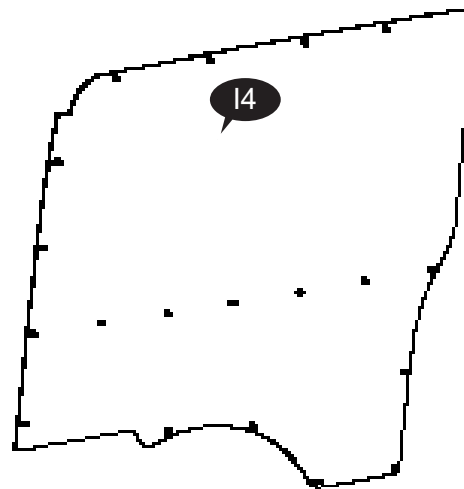
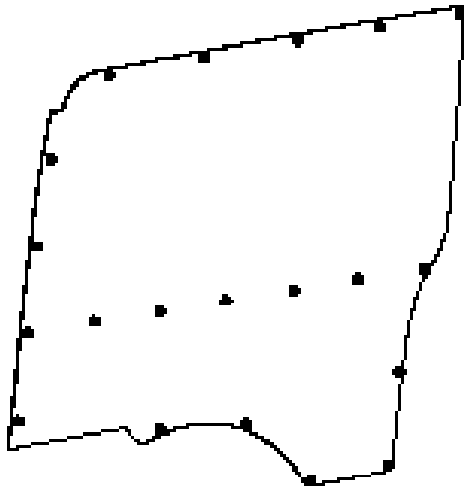
15014649 Panel Set Rear Smartfloor T6 Short Se



15014649 Panel Set Rear Smartfloor T6 Short Se

| Item | Quantity | Part Number | Description |
|------|----------|-------------|--|
| 11 | 1 | 15015167 | Panel SF Rear Left T6 Short PP Se |
| 12 | 1 | 15015168 | Panel SF Rear Right T6 Short PP Se |
| | 1 | 15014650 | Fitting Kit Side Panel Set T6 Short Se |

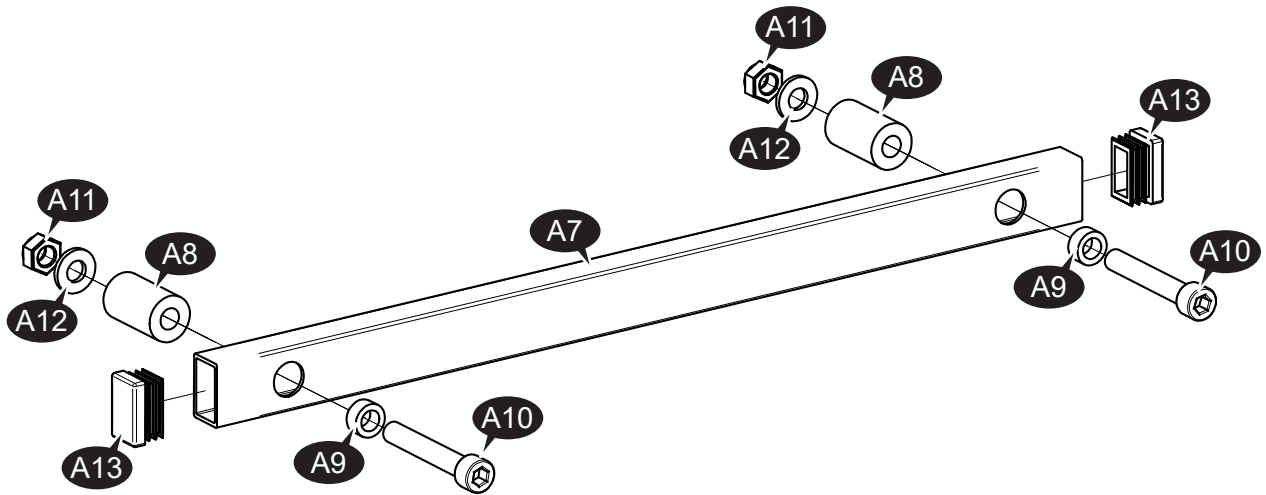
15014648 Panel Set Rear Smartfloor T6 Long Se



15014648 Panel Set Rear Smartfloor T6 Long Se

| Item | Quantity | Part Number | Description |
|------|----------|-------------|-----------------------------------|
| 13 | 1 | 15015166 | Panel SF Rear Left T6 Long PP Se |
| 14 | 1 | 15015165 | Panel SF Rear Right T6 Long PP Se |
| | 1 | 15015164 | Fitting Kit Sidepanels T6 Long |

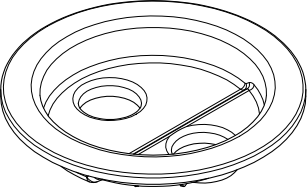
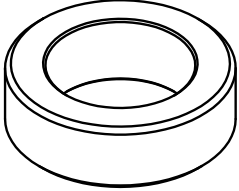
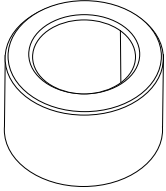
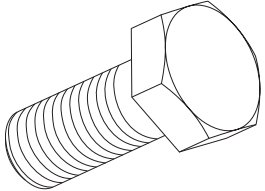
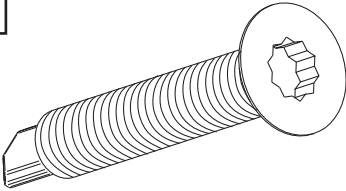
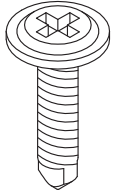
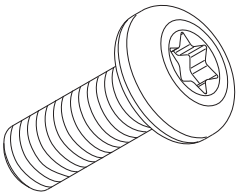
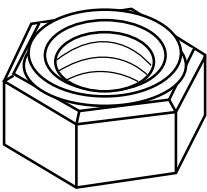
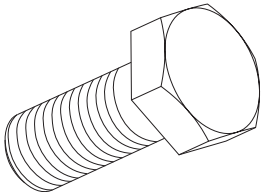
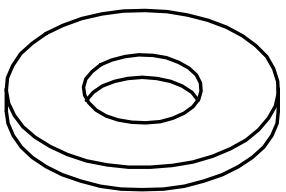
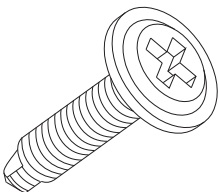
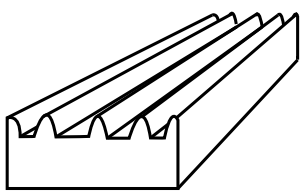
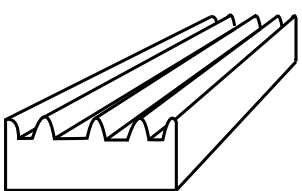
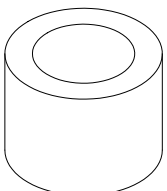
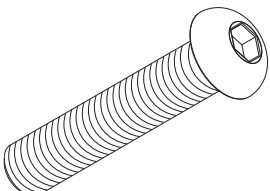
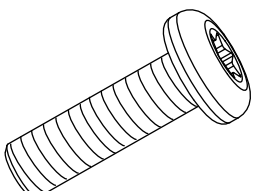
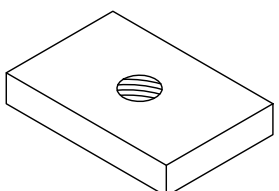
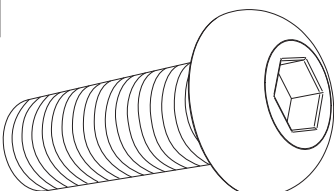
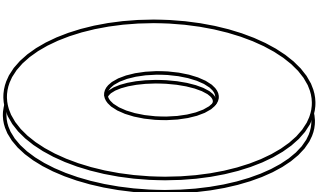
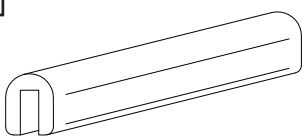
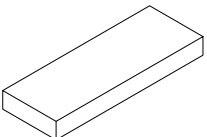
15010236 Handle Assy



15010236 Handle Assy

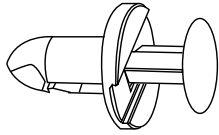
| Item | Quantity | Part Number | Description |
|------|----------|-------------|-------------------------------|
| A7 | 1 | 15009441 | Handle Tube 25x15x286 |
| A8 | 2 | 15009442 | Spacer Ø8,3x18x30 Nylon Black |
| A9 | 2 | 15009443 | Spacer Ø8,1x13x6mm Galv |
| A10 | 2 | 15009444 | Screw M8x50 Cylinderh Hex |
| A11 | 2 | 8 NMU | Mutter M8 Nyloc DIN985 |
| A12 | 2 | 8,4x17x2 | Rear Floor T5 Short w heater |
| A13 | 2 | 15009438 | M8 Washer, DIN 125 |

Fitting kit

| | | |
|---|---|---|
| <p>F1</p>  <p>15006240 Plastic Cover Latchcup</p> | <p>F2</p>  <p>13X20X6,4 Spacer, U-709</p> | <p>F3</p>  <p>13X20X10 Spacer, U-710</p> |
| <p>F4</p>  <p>7/16X25 Bolt S-82 6K (7/16x1)(12,6x25) elz</p> | <p>F5</p>  <p>15009568 4,8x32 Selfdrill CS Torx Elz</p> | <p>F6</p>  <p>4,2x19 FL Screw 4,2x19, needlepin, flath, selfdrill, elzn</p> |
| <p>F7</p>  <p>15003551 M6x16 TX30 pan (DIN 7985)</p> | <p>F8</p>  <p>6 NMU M6 Self locking nut, DIN 985-8</p> | <p>F9</p>  <p>10X25 6K Bolt, M10x25 Din933 6K , EIZn</p> |
| <p>F10</p>  <p>15009916 Washer 30x13x3 Elz</p> | <p>F11</p>  <p>4,2x19 Black Selftapping screw, Black, 45761</p> | <p>F12</p>  <p>36.721004 Rubber Profile Sindby (L: 3300 mm)</p> |
| <p>F13</p>  <p>36.721004 Rubber Profile Sindby (L: 1200 mm)</p> | <p>F14</p>  <p>15001584 Distansehylse D20 d13 h15</p> | <p>F15</p>  <p>15001595 Screw M10x50 Panh UNB Black</p> |
| <p>F16</p>  <p>15009762 Screw M6x20 Panh Torx Elz</p> | <p>F17</p>  <p>02-01794 6MM Threaded M6 metalblock 5x20x30</p> | <p>F18</p>  <p>10x30 UNB M10x30 Panh UNB Black</p> |
| <p>F19</p>  <p>6,4X18X1,5 M6 Washer, DIN 9021</p> | <p>F20</p>  <p>15009991 Edge Profile 461 00 28 L=1575</p> | <p>F21</p>  <p>15001755 Avstandskloss 110x40x12mm</p> |

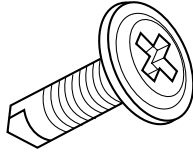
Fitting kit

F22



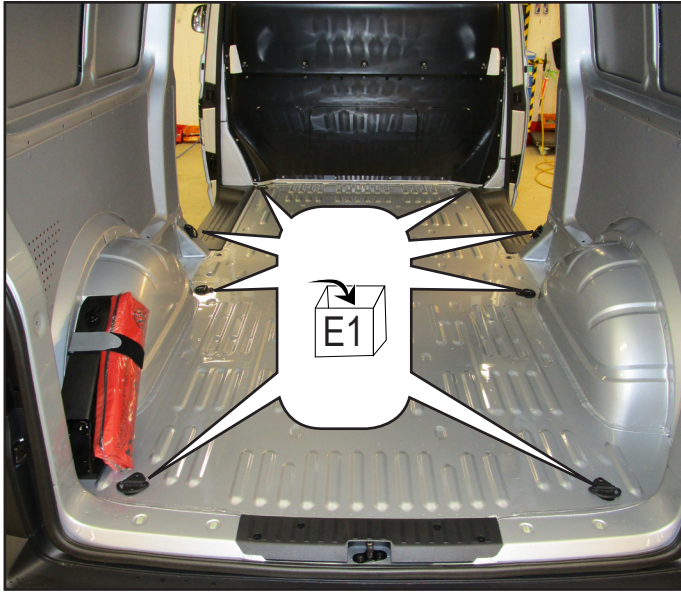
15008180
Panel Push-Plug RAL 7035

F23



4,2x13 FL
Screw Selfdrill Flath Elz

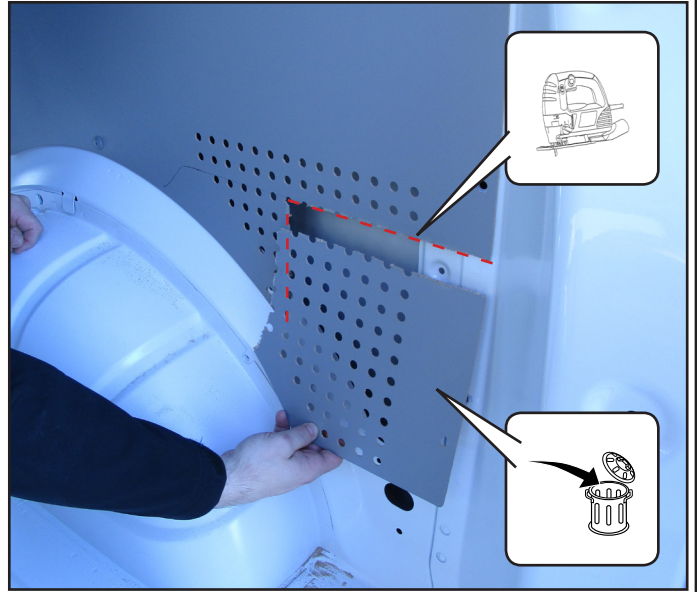
1.



2.

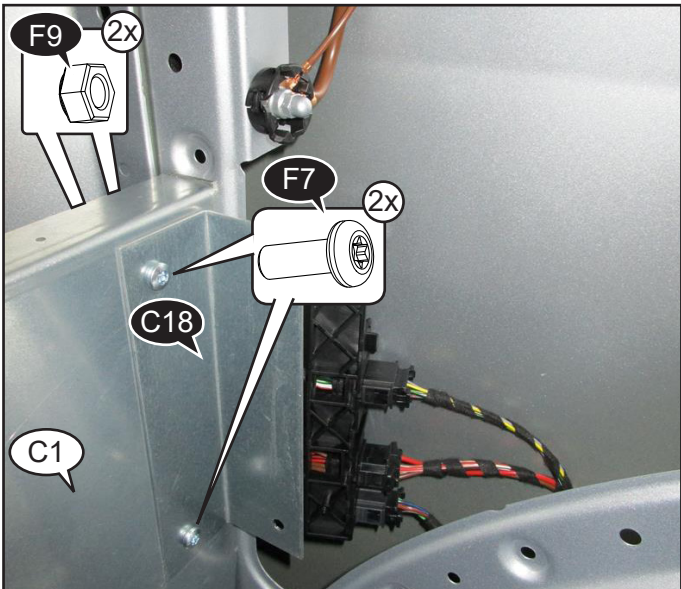
Only for installations w/o Loyds PP Panels

L&R



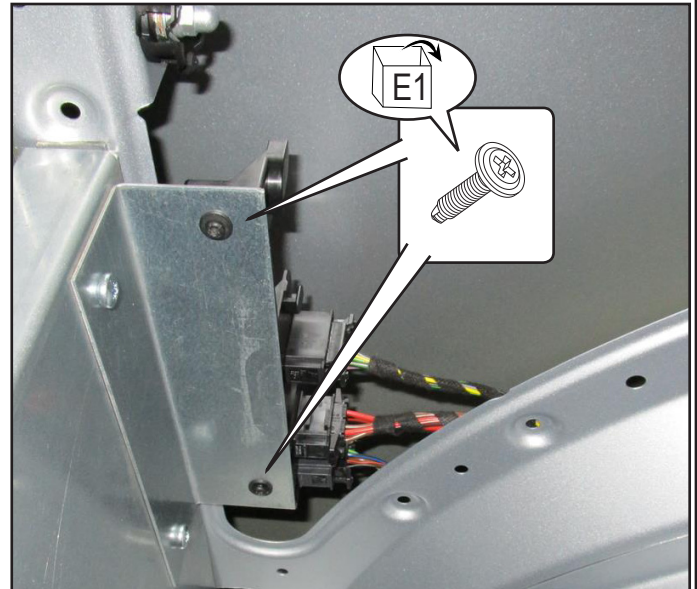
3.

LH



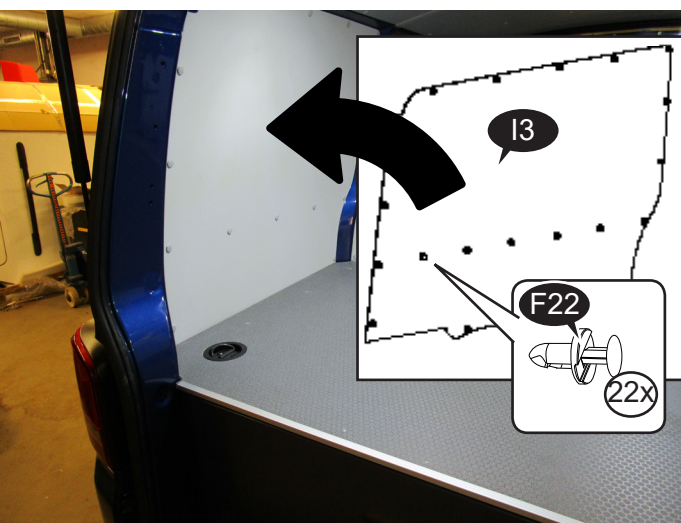
4.

LH



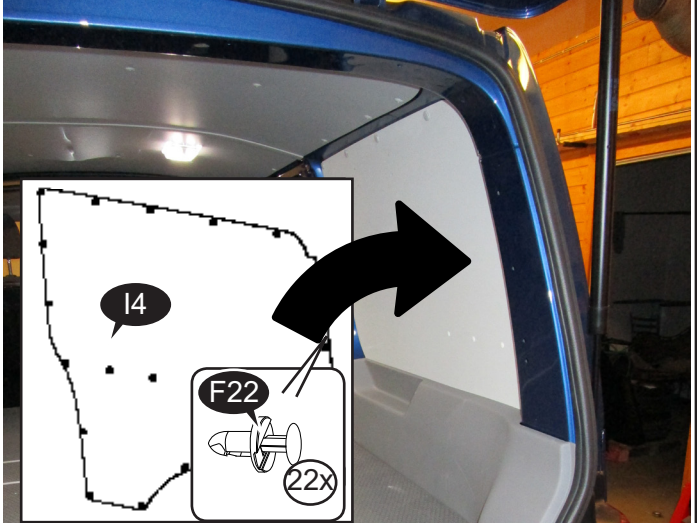
5.

L1 LH



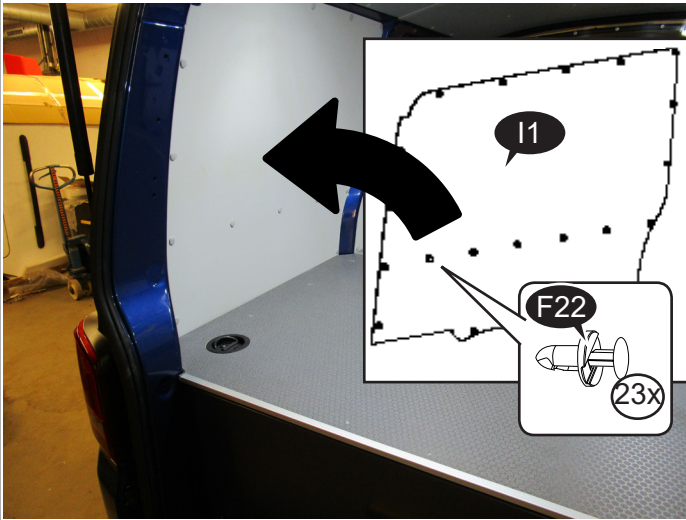
6.

L1 RH



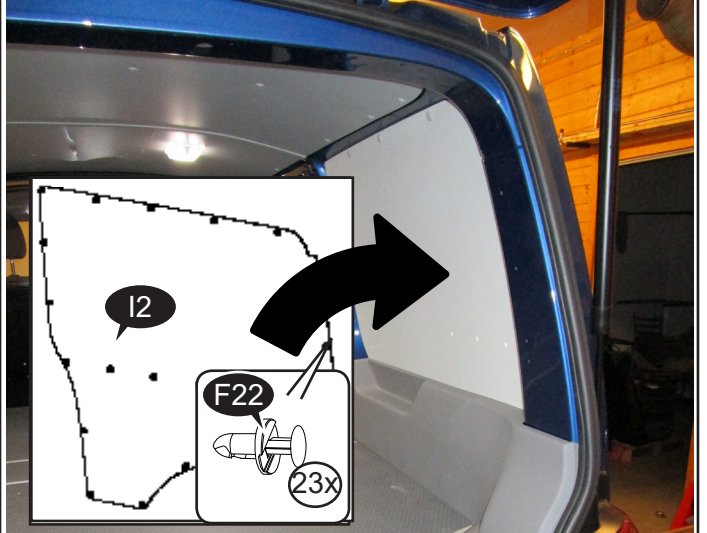
7.

L2 LH

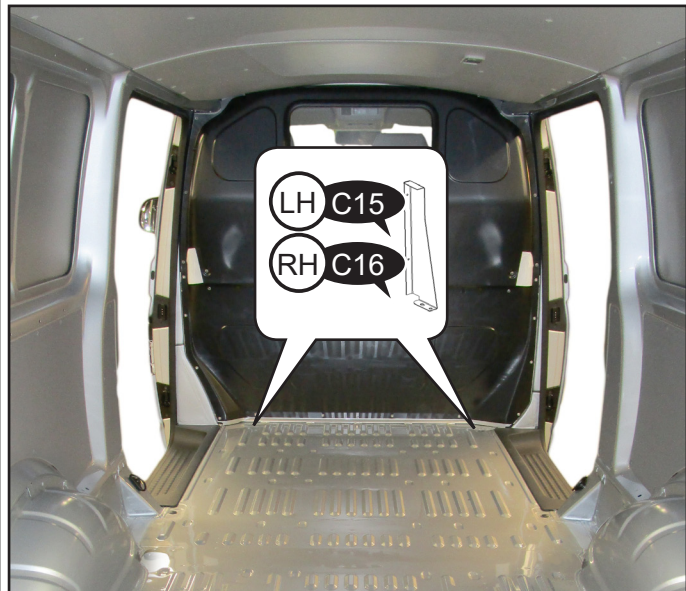


8.

L2 RH

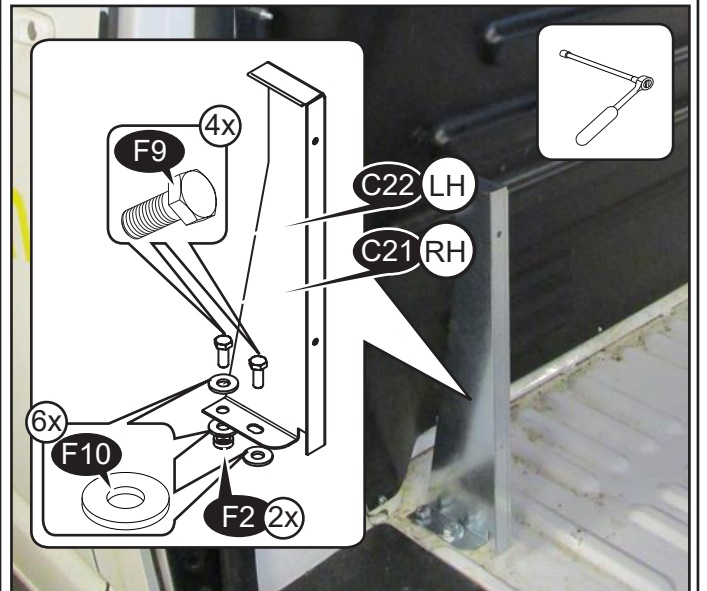


9.



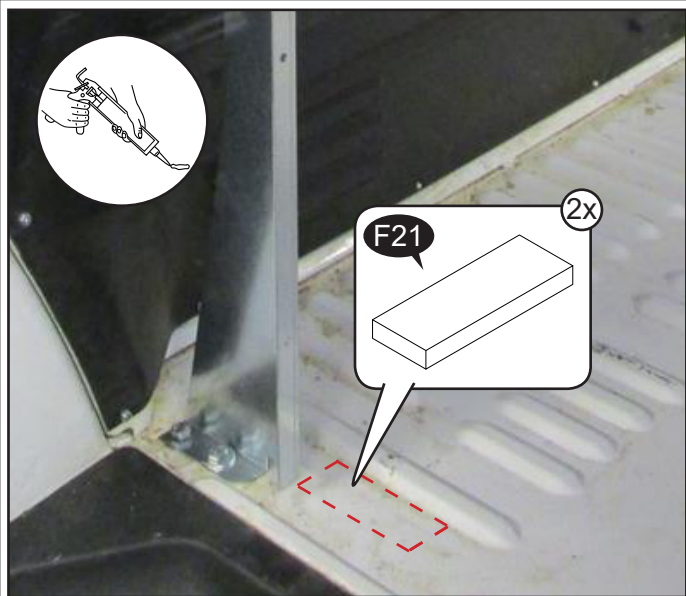
10.

L&R

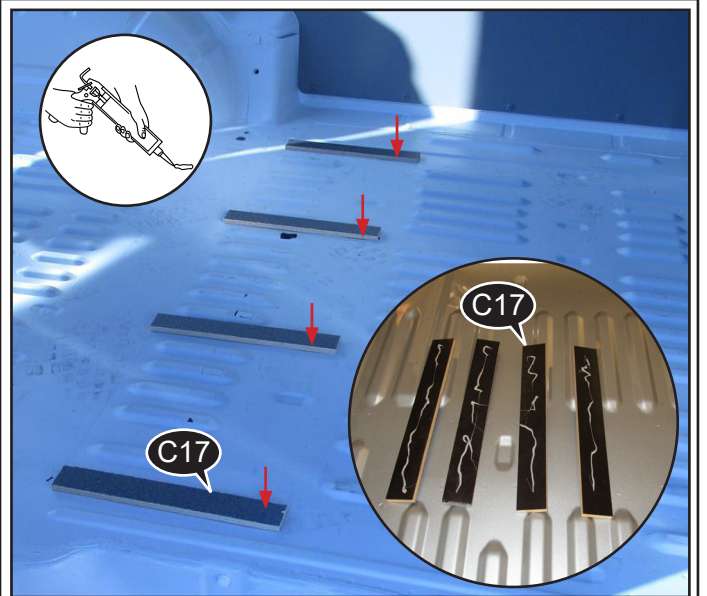


11.

L&R

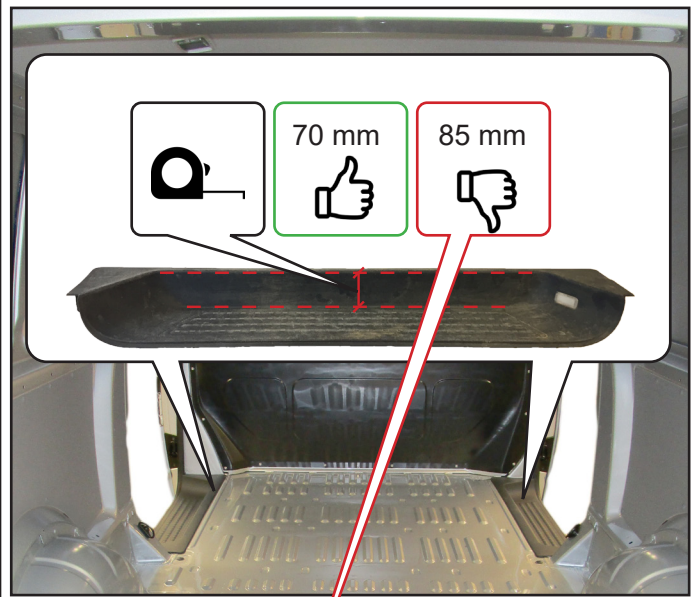


12.



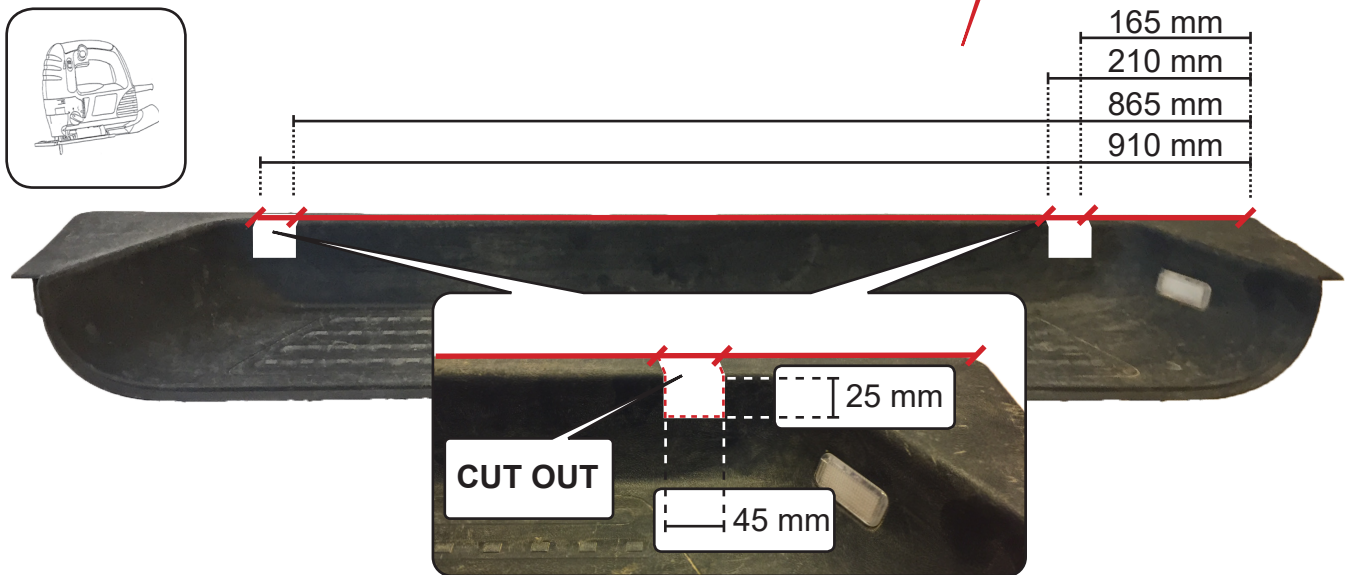
13.

L&R



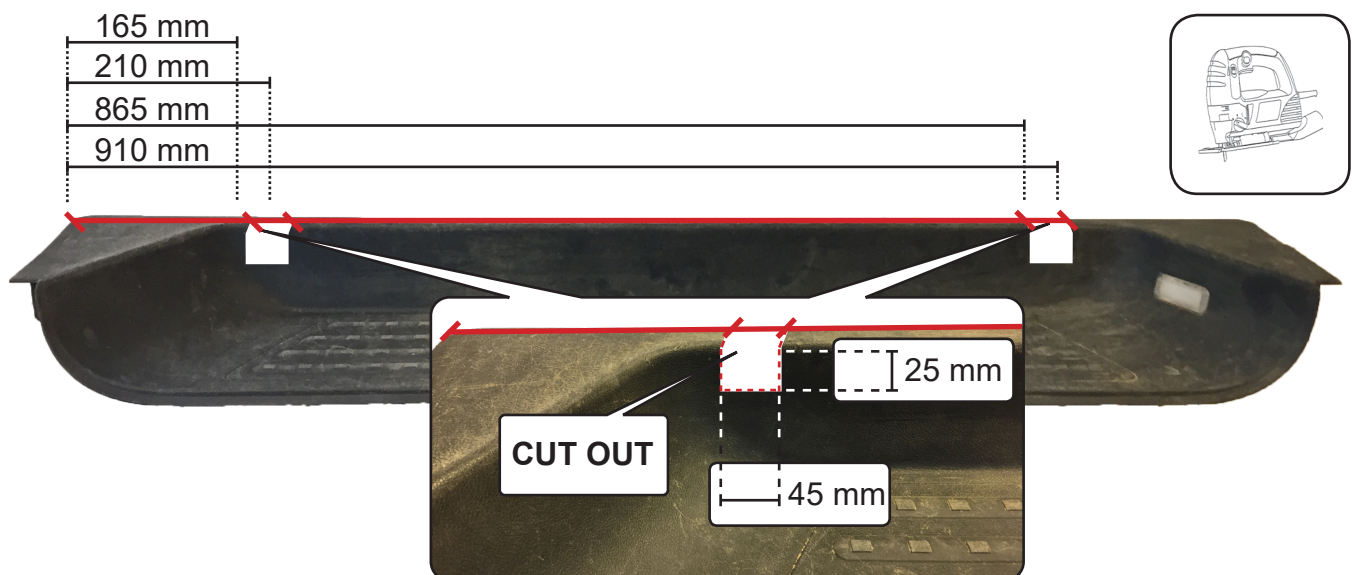
13.A

RH

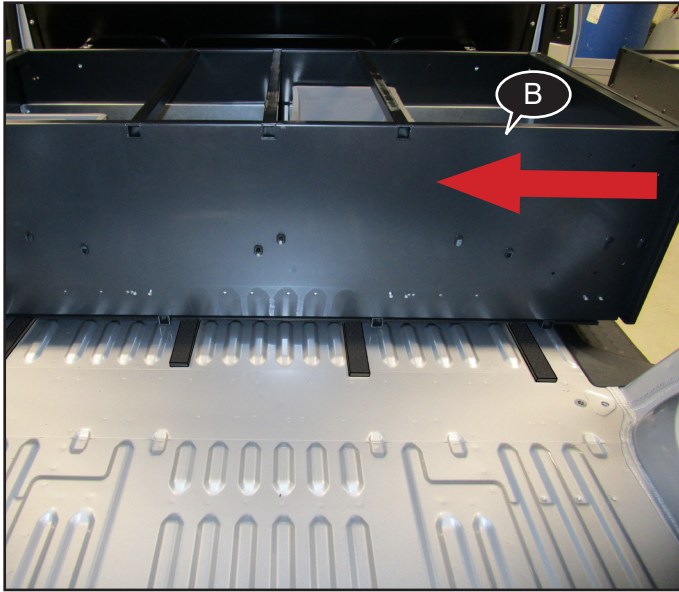


13.B

LH

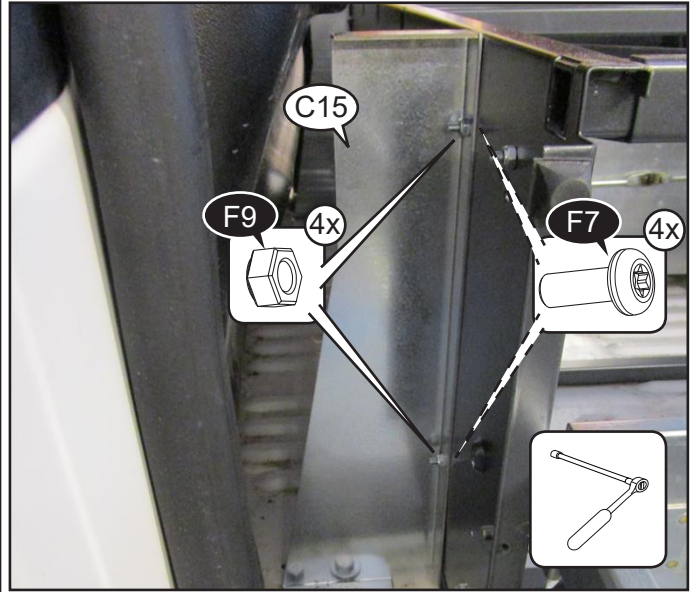


14.

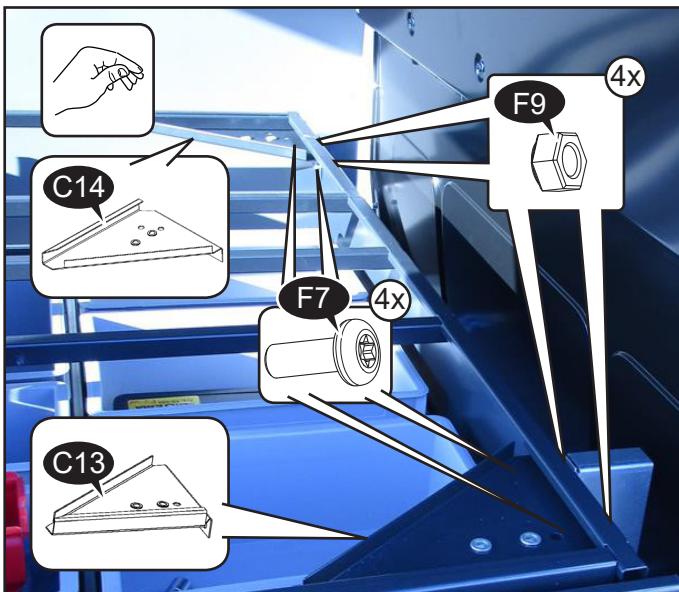


15.

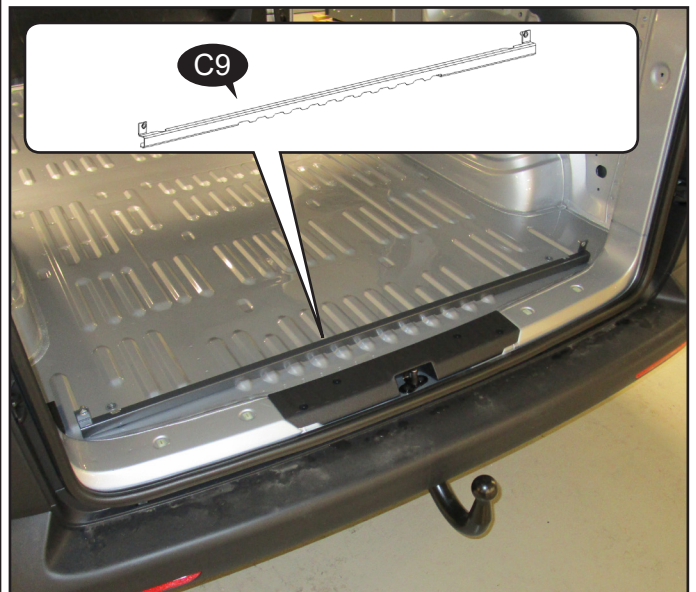
L&R



16.

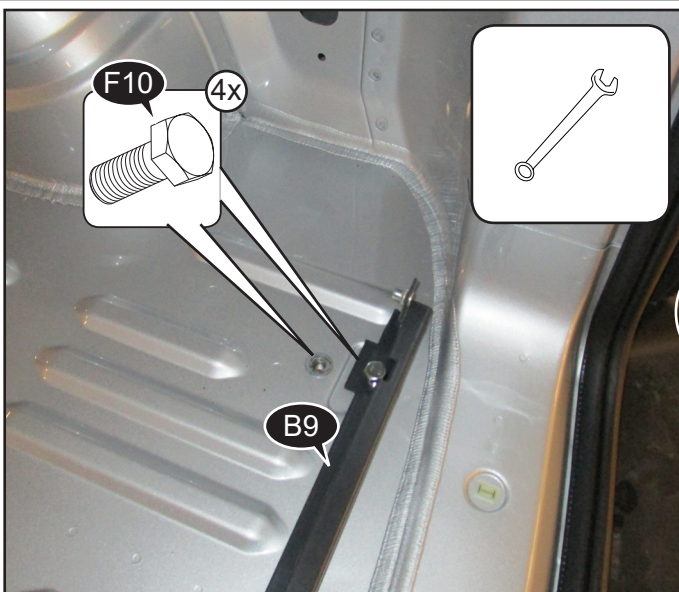


17.



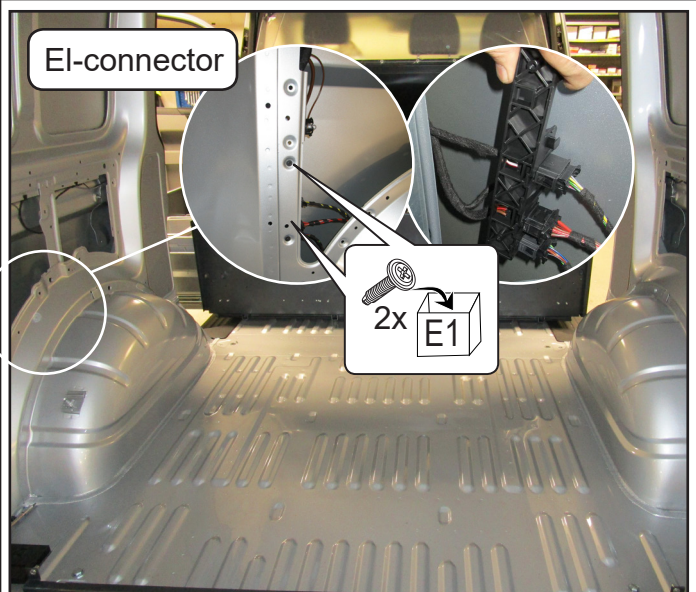
18.

L&R



19.

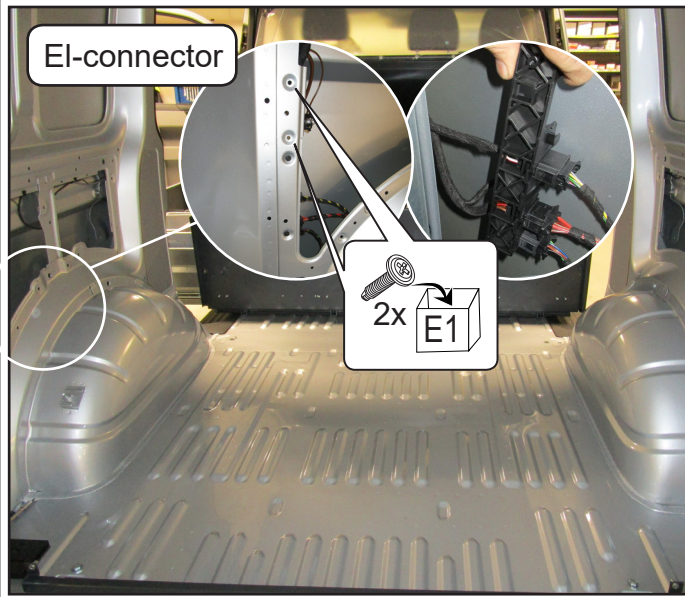
L1 LH



20.

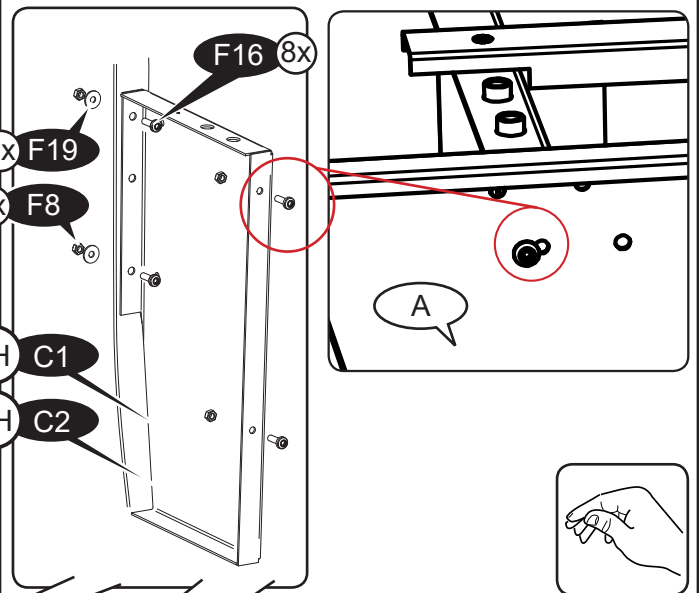
L2 LH

21.

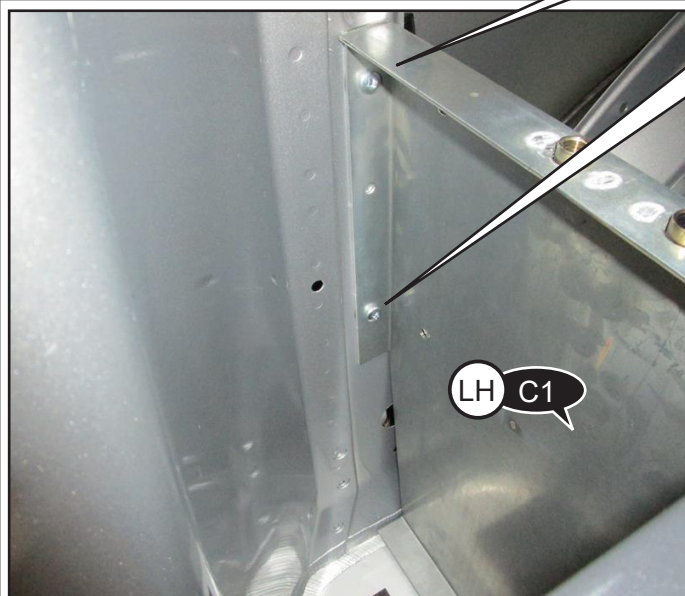


22.

L&R



23.

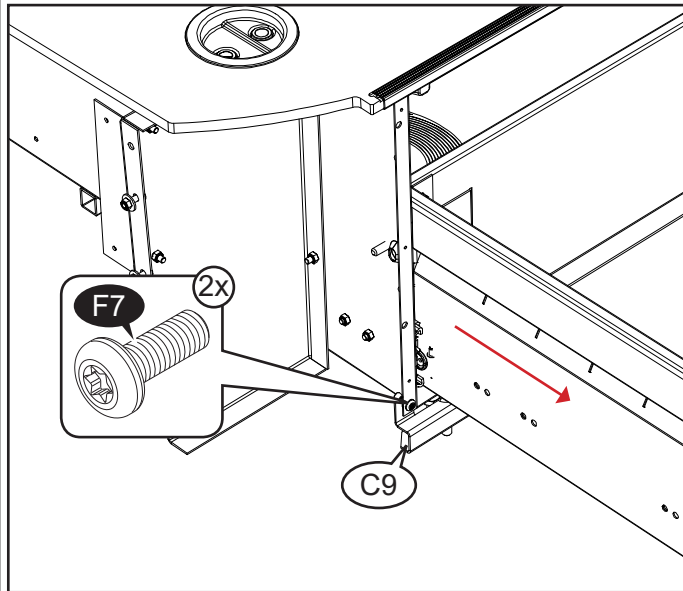


24.



25.

L&R



26.

L2 L&R



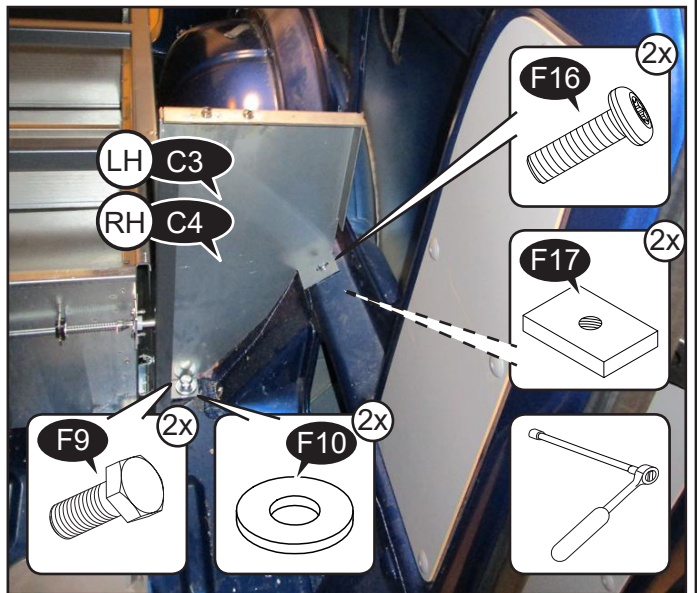
26.A

L2 L&R



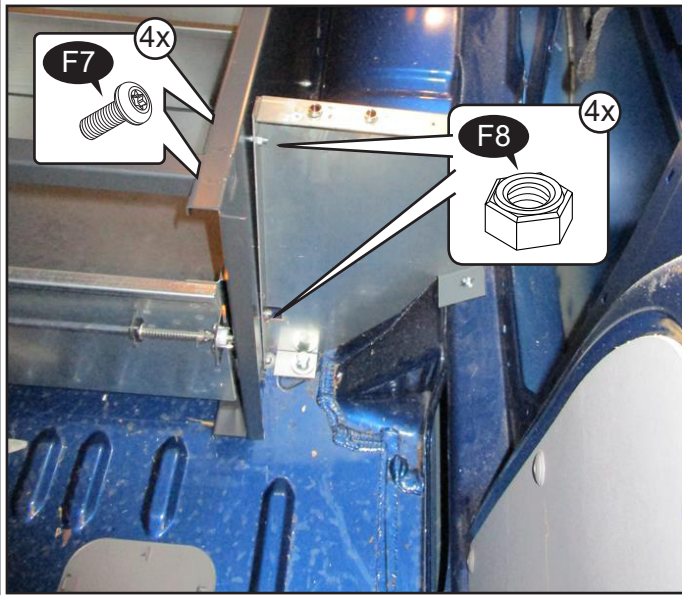
26.B

L2 L&R



26.C

L2 L&R



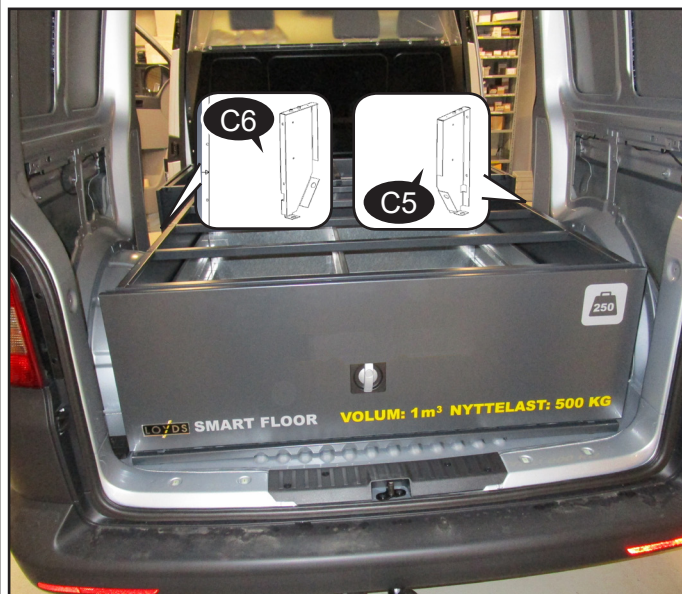
26.D

L2 L&R

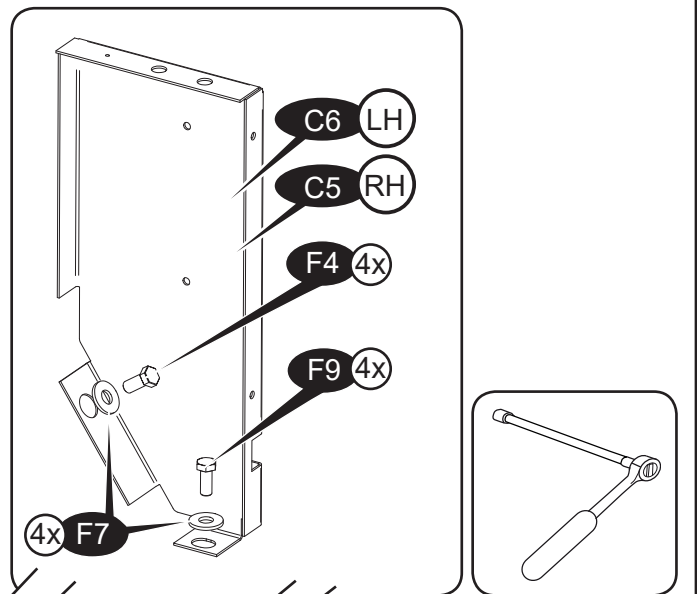


27.

L&R

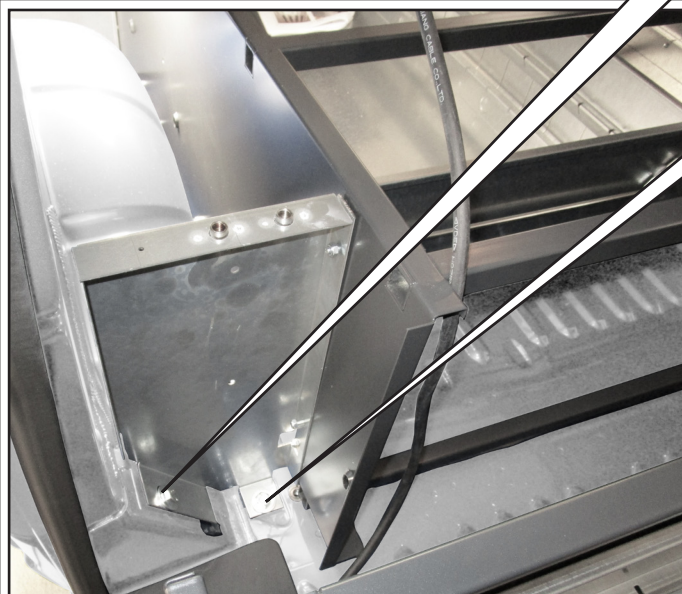


L&R



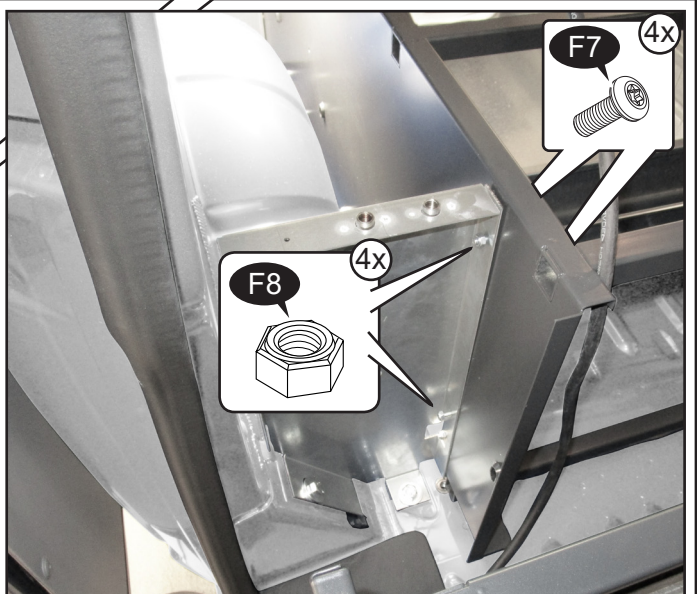
28.

L1 L&R



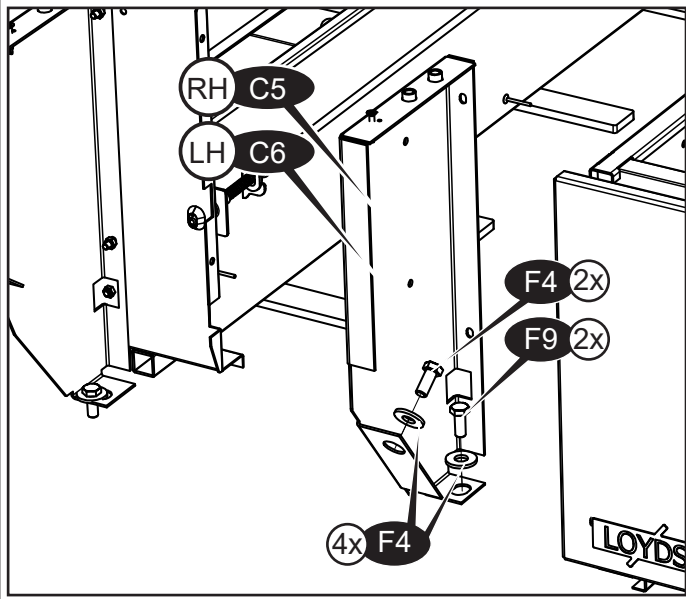
28.A

L1 L&R

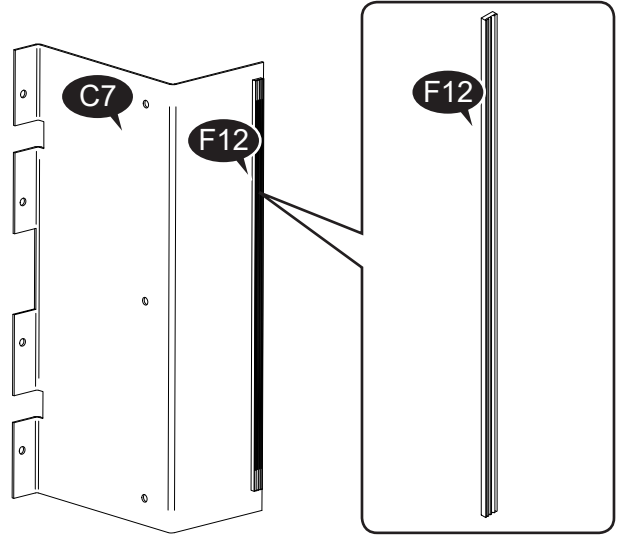


29.

L2 L&R

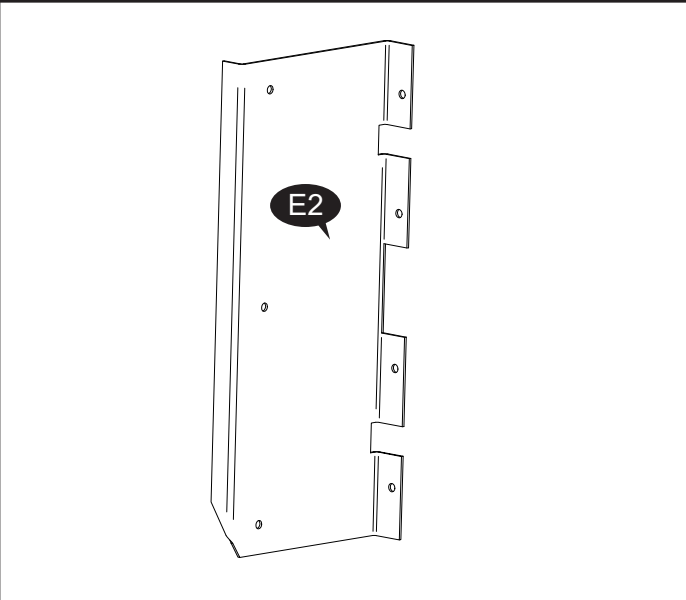


L&R



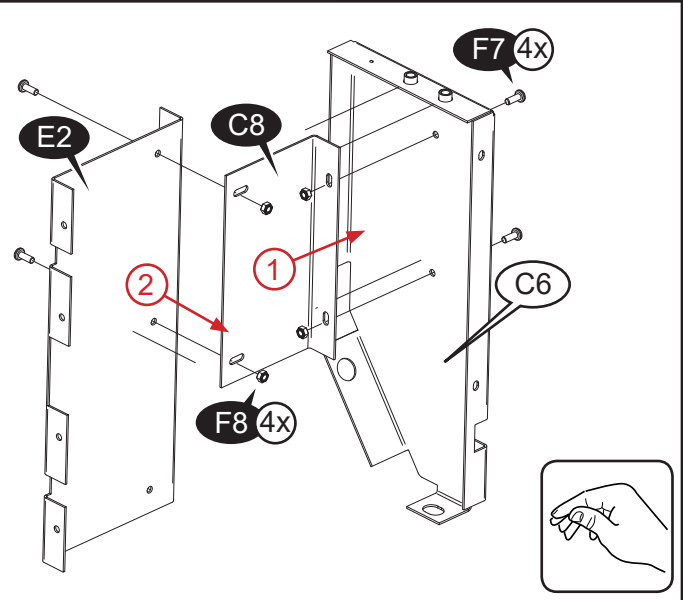
30.

1SLD LH



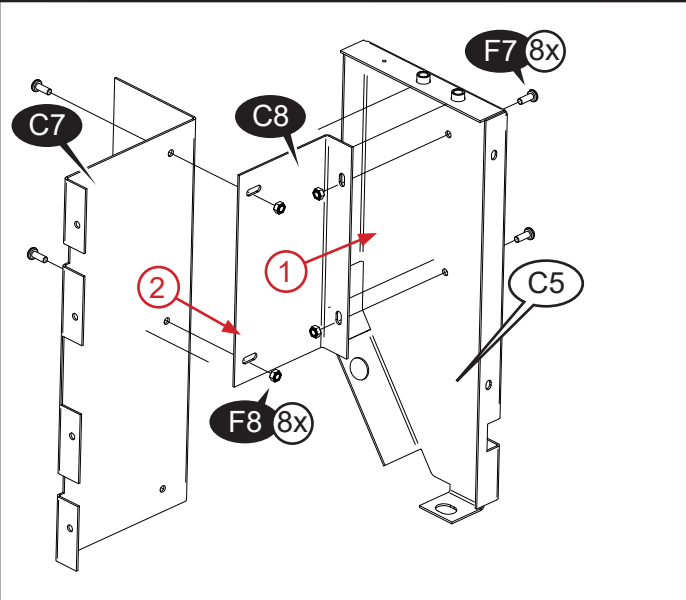
30.A

1SLD LH



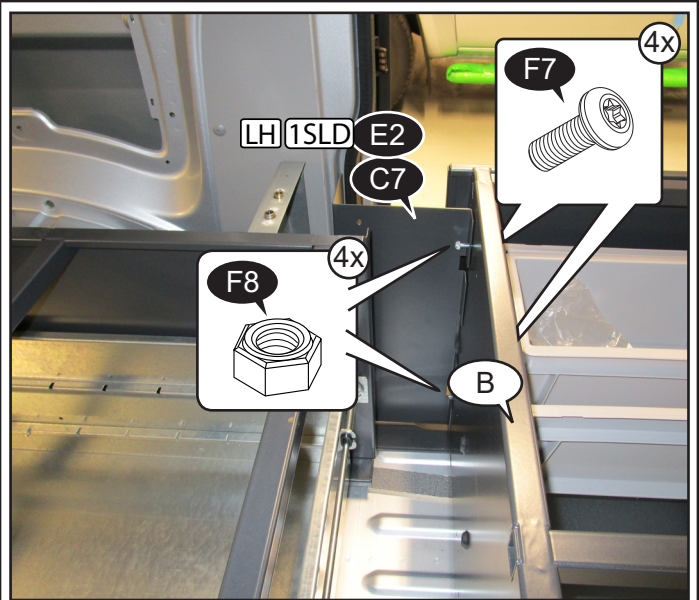
31.

L&R



32.

L&R



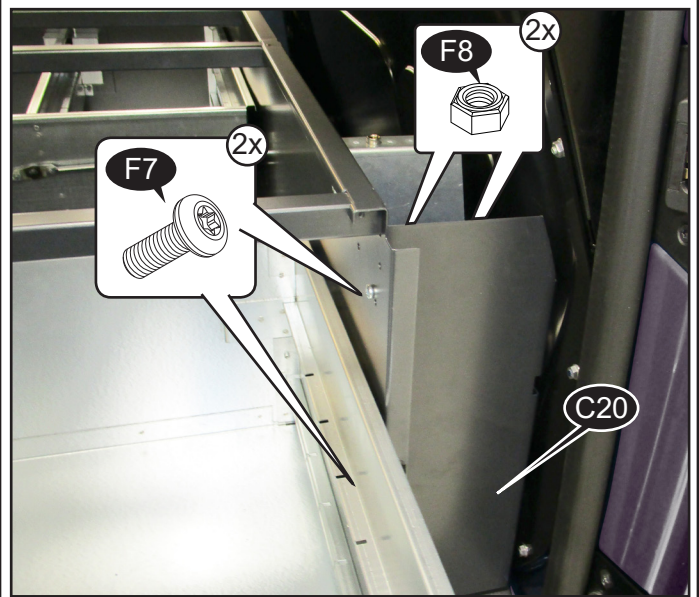
33.

1SLD RH



33.A

1SLD RH



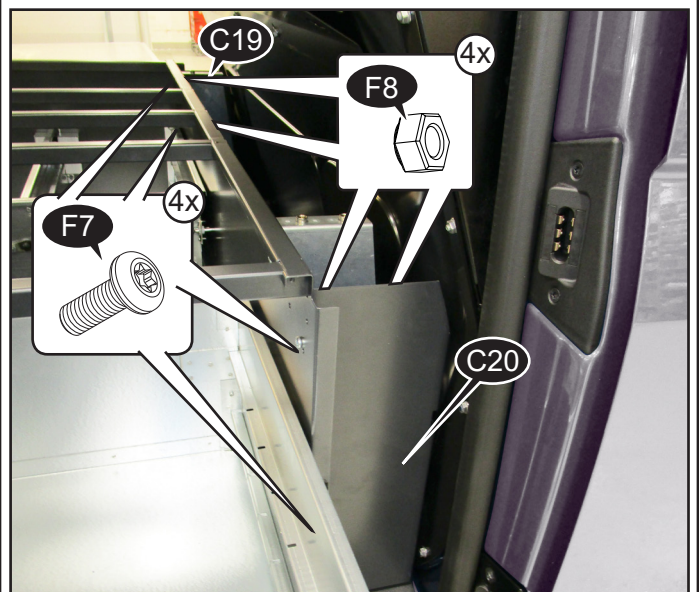
34.

L&R



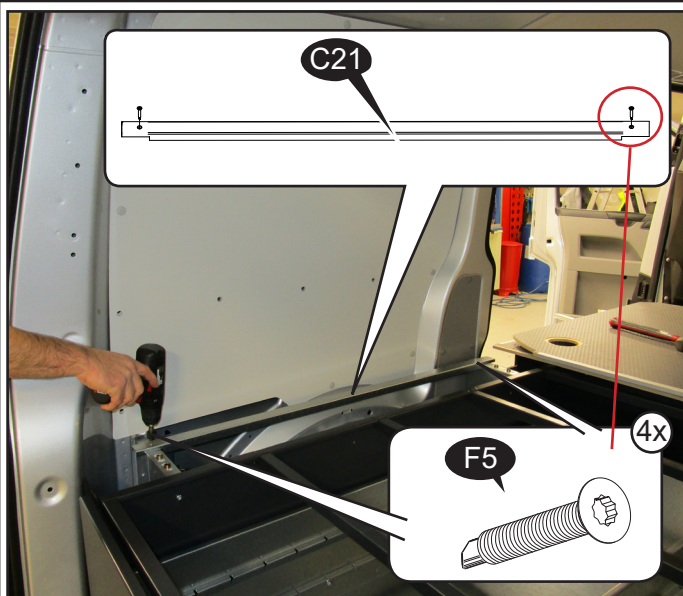
35.

L&R



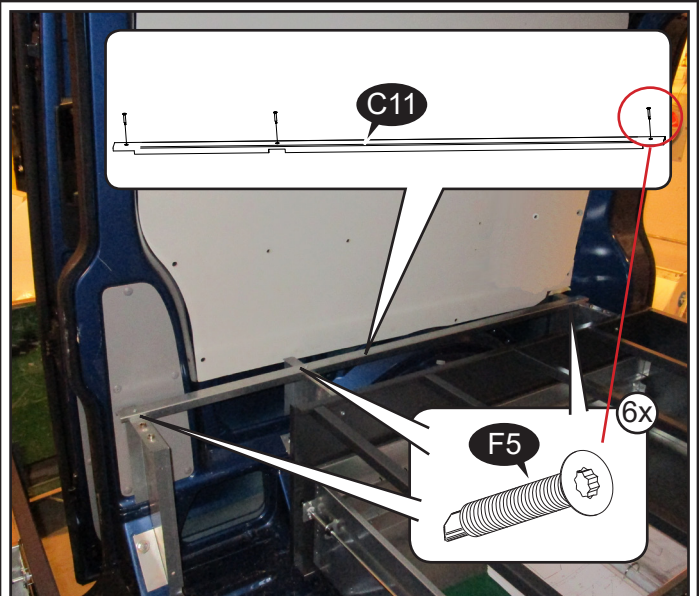
36.

L1 L&R



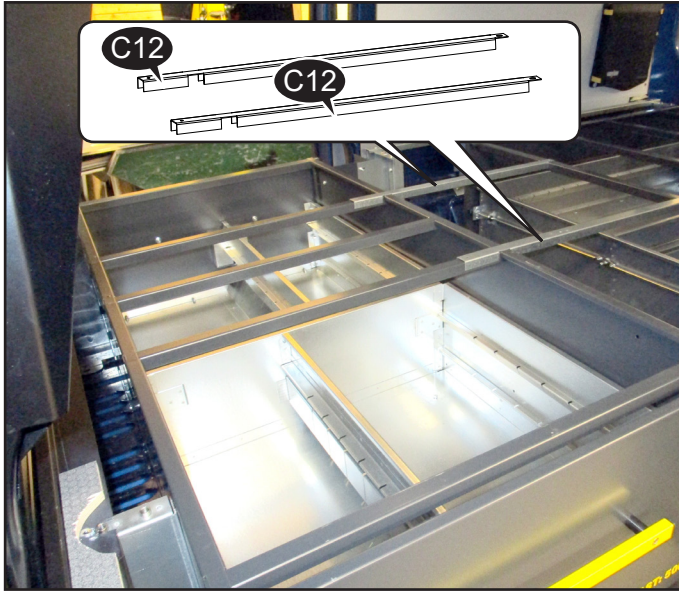
37.

L2 L&R



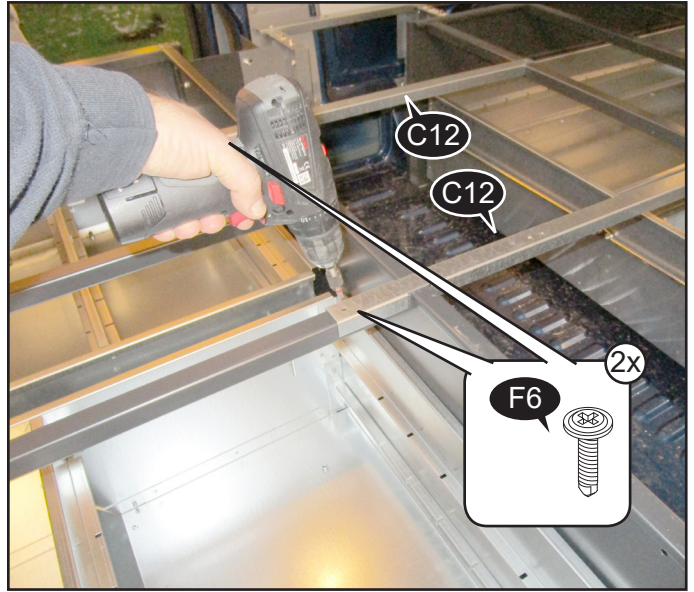
38.

L2

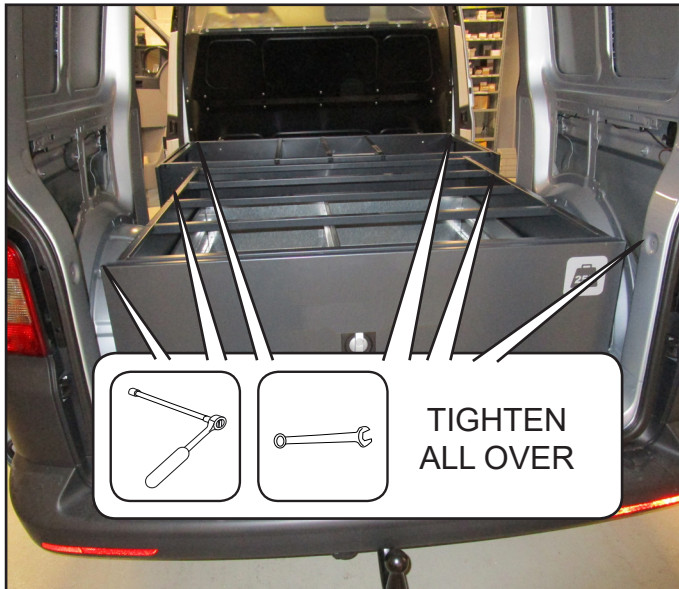


39.

L2



40.



41.

1SLD LH



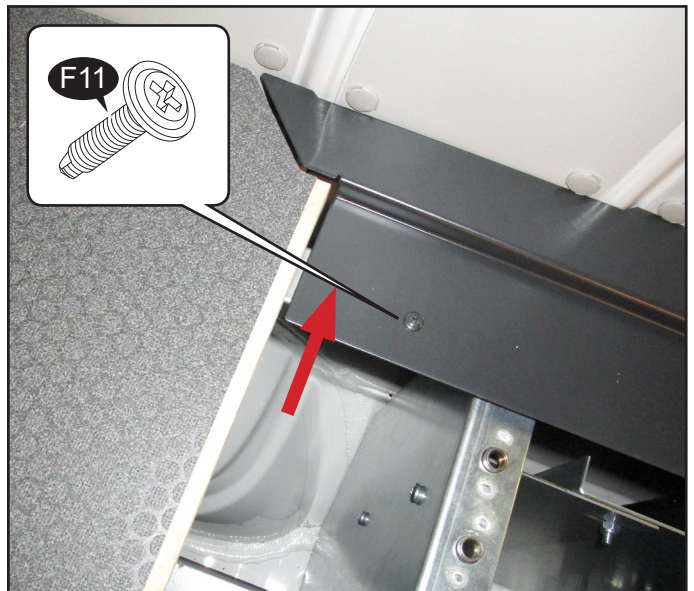
41.A

1SLD LH



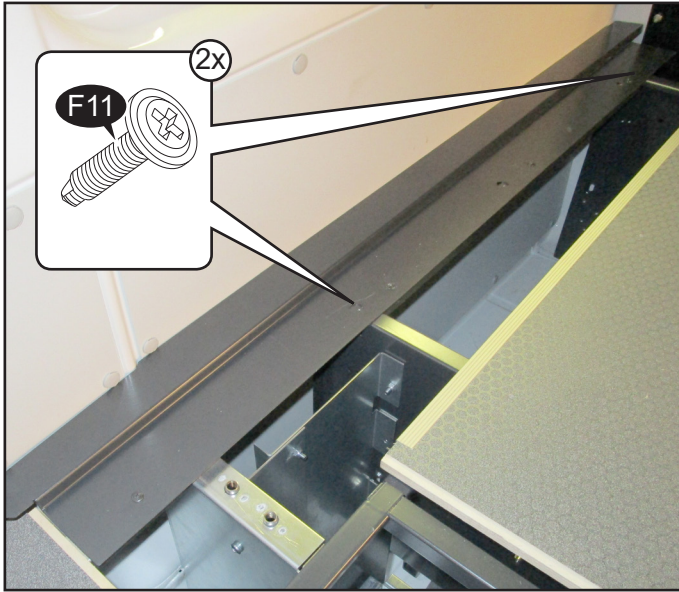
41.B

1SLD LH



41.C

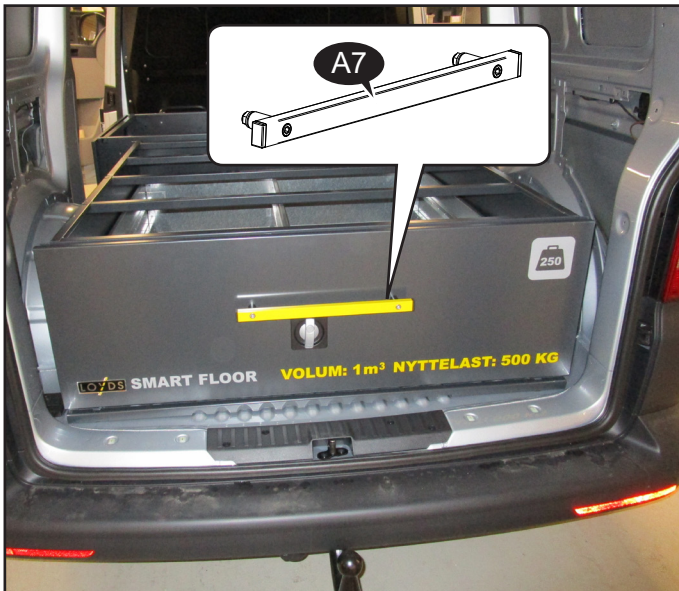
1SLD LH



42.

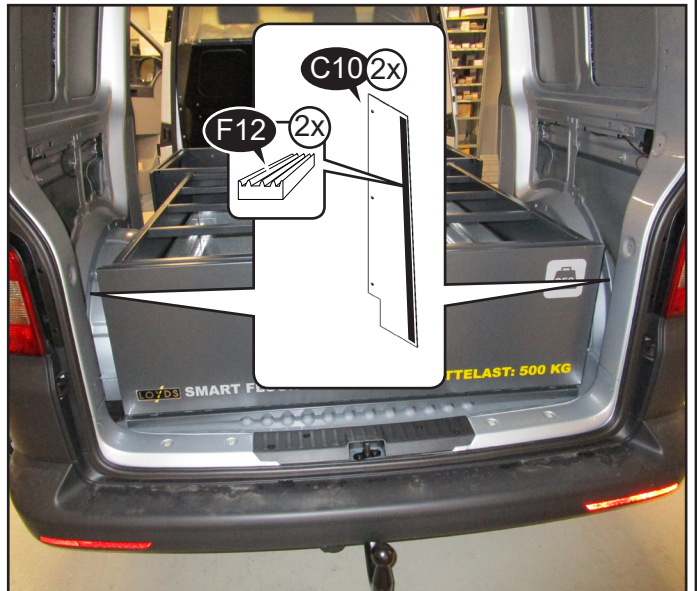


43.



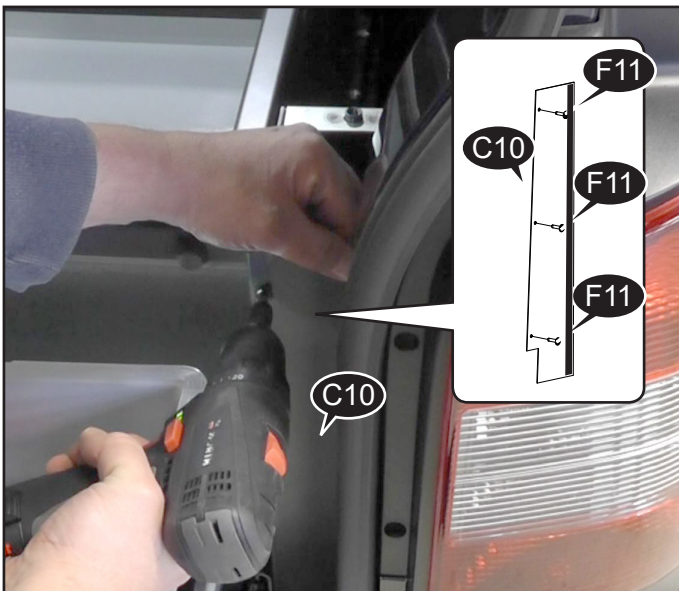
44.

L&R



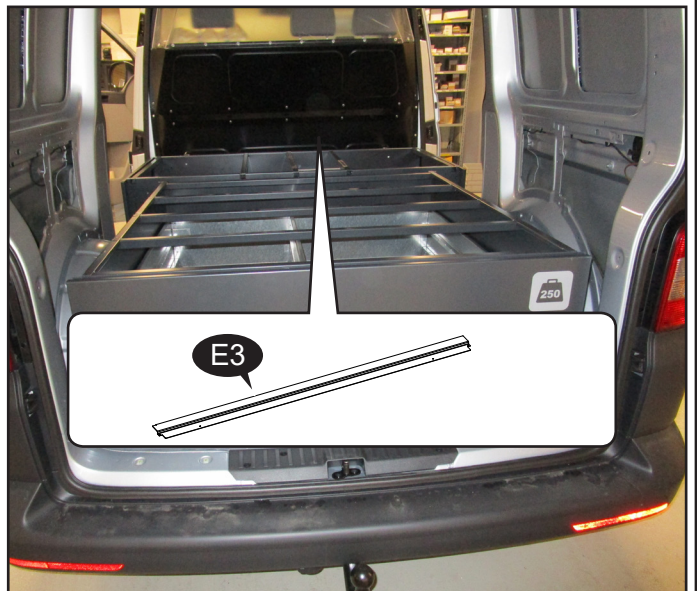
45.

L&R



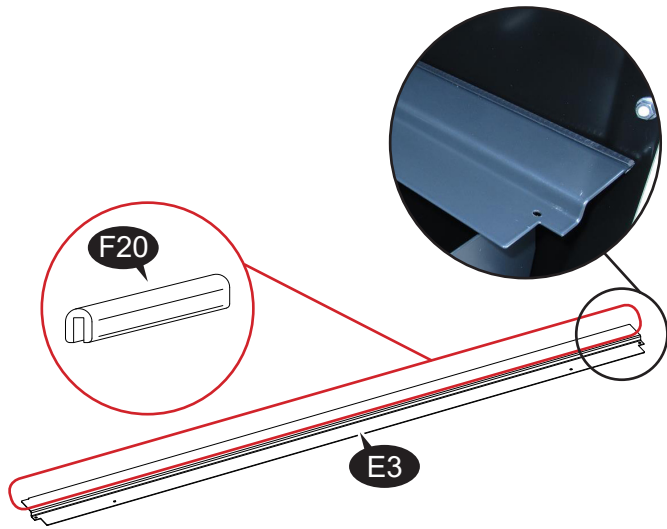
46.

NARROW SEPARATOR



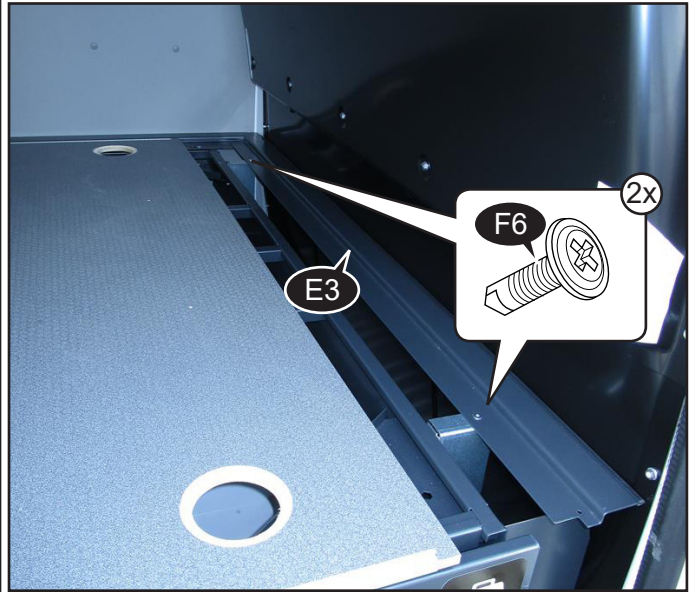
46.A

NARROW SEPARATOR



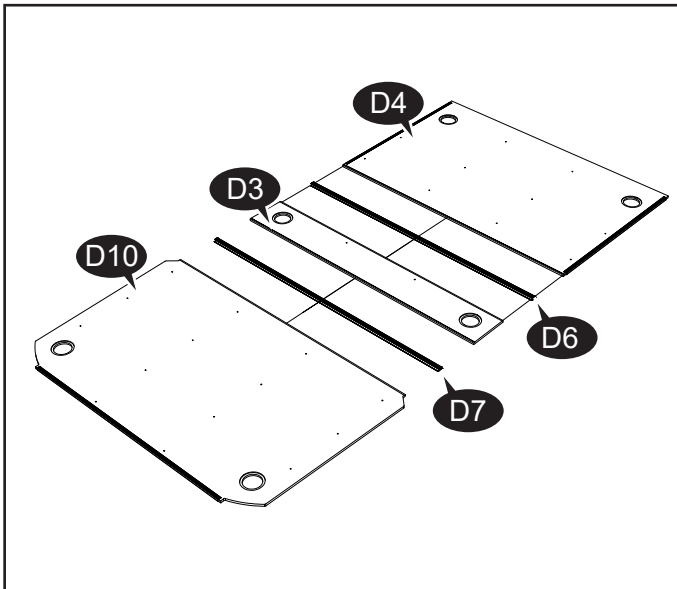
46.B

NARROW SEPARATOR



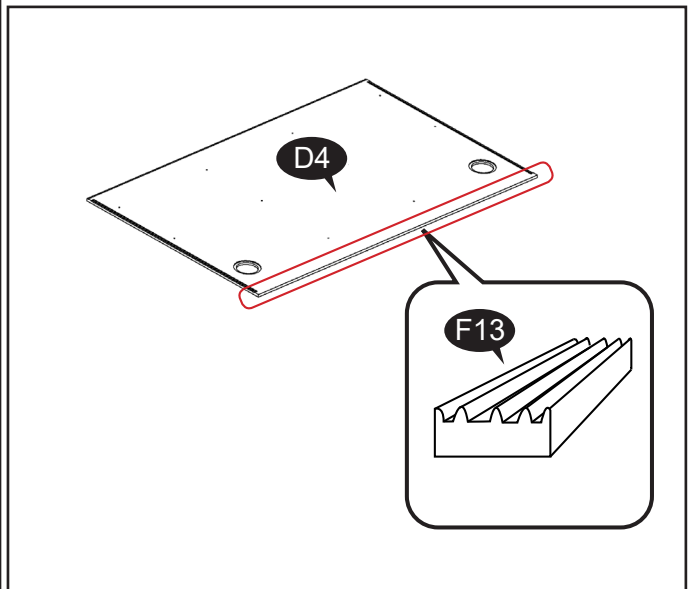
47.

L1



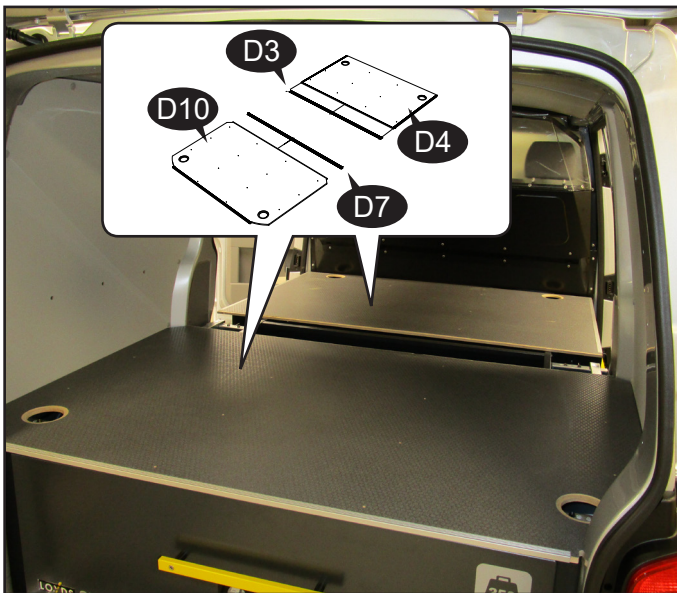
47.A

L1



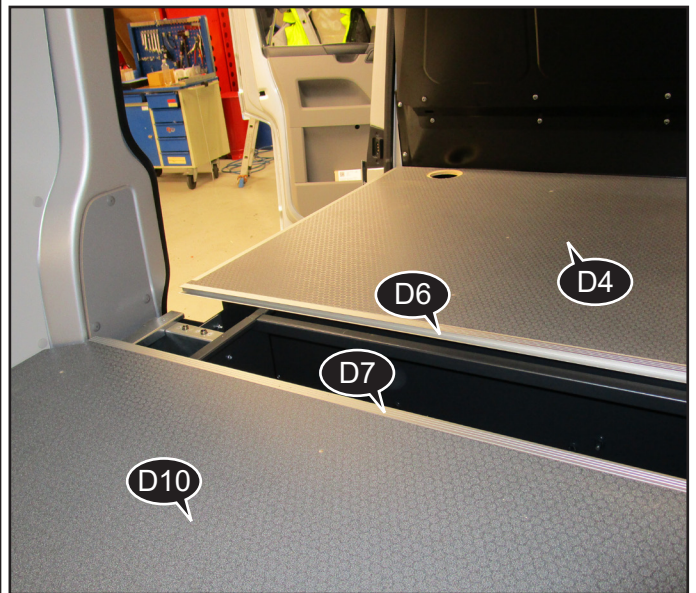
47.B

L1



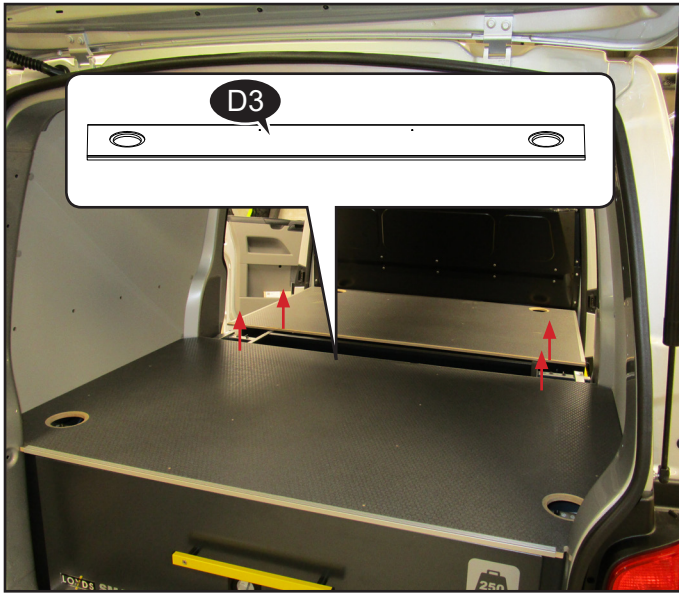
47.C

L1



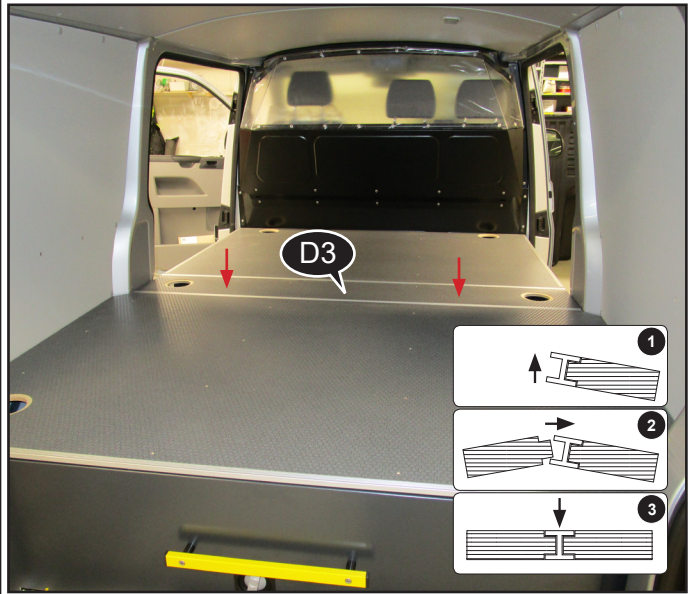
47.D

L1



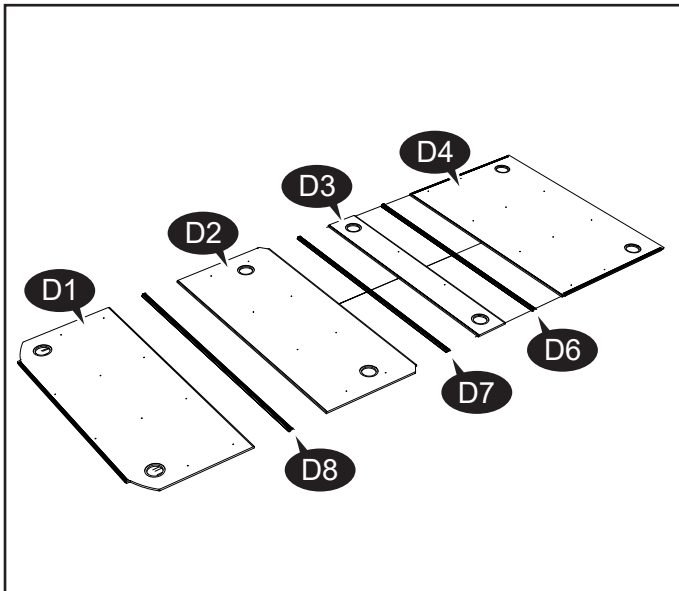
47.E

L1



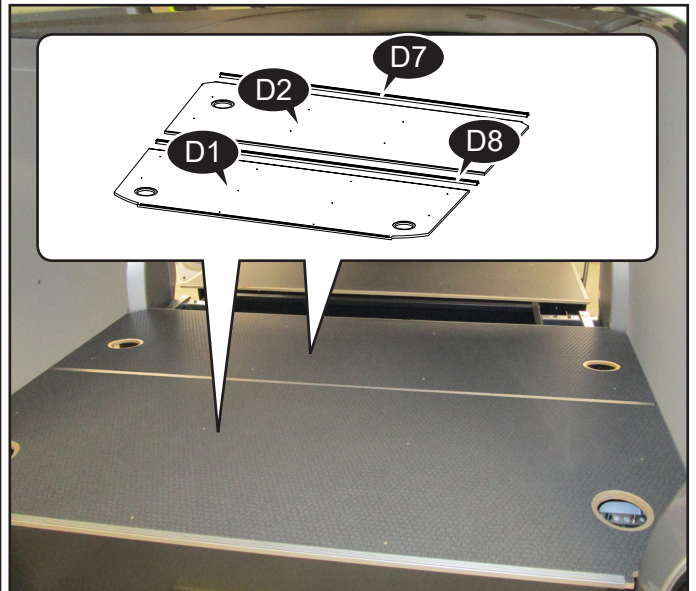
48.

L2



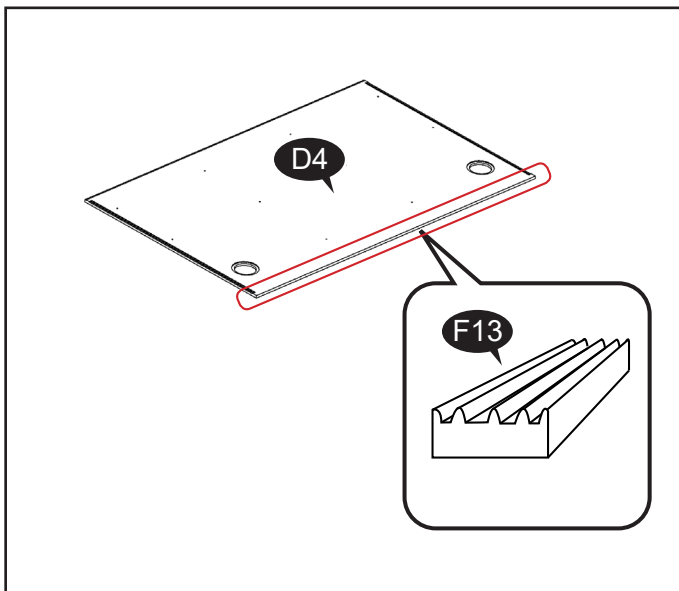
48.A

L2



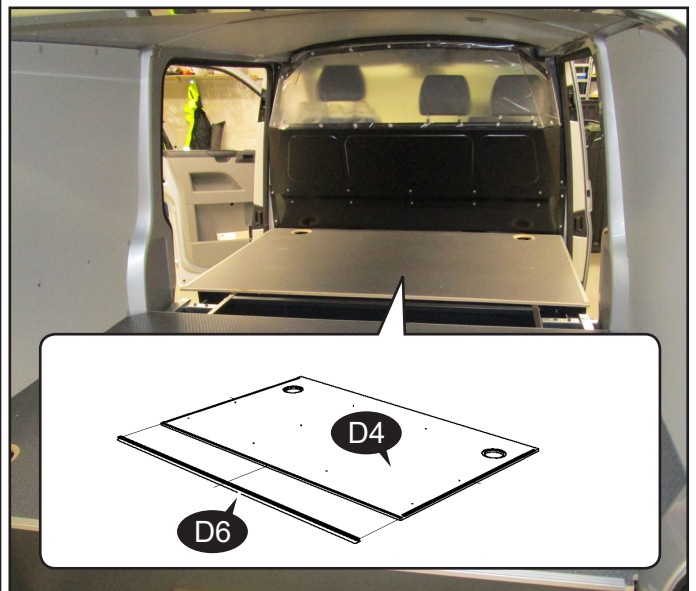
48.B

L2



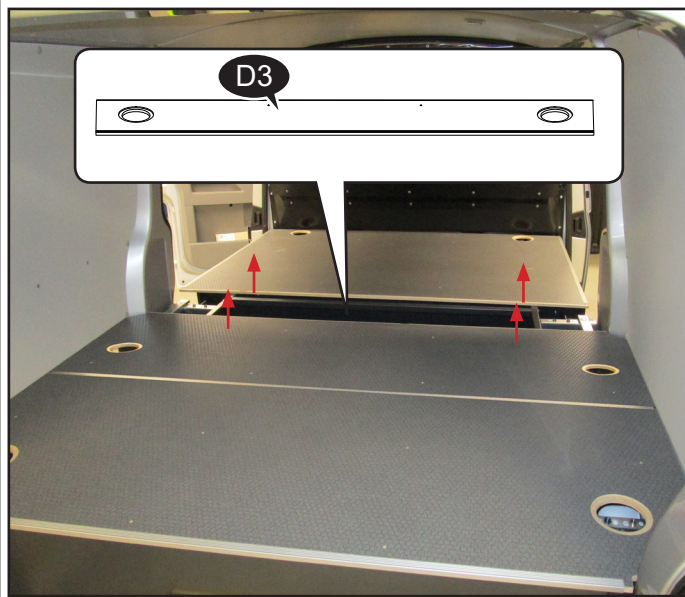
48.C

L2



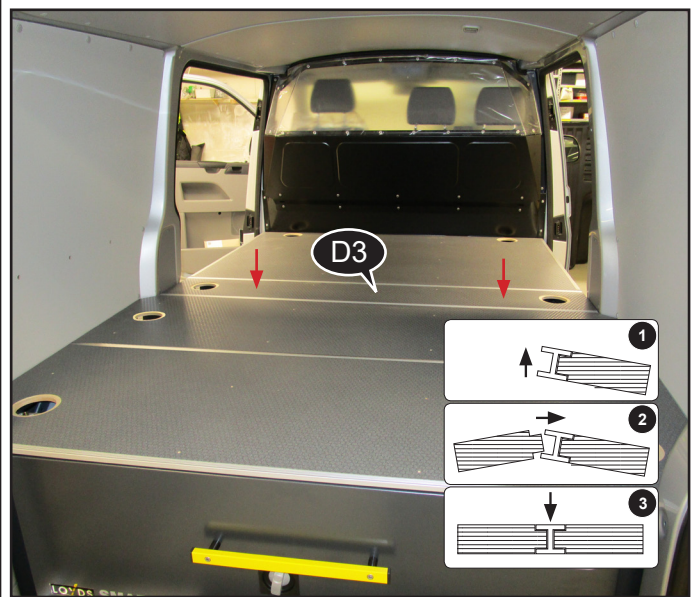
48.D

L2



48.E

L2



49.

1SLD 2SLD RH



49.A

1SLD 2SLD RH



50.

2SLD LH

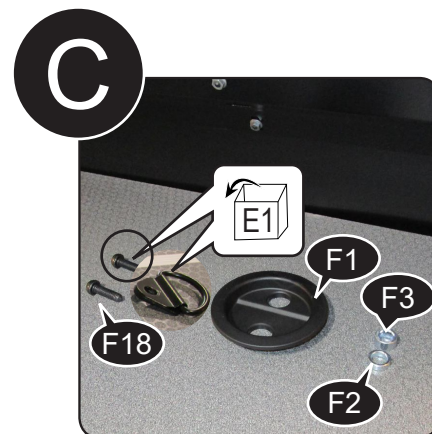
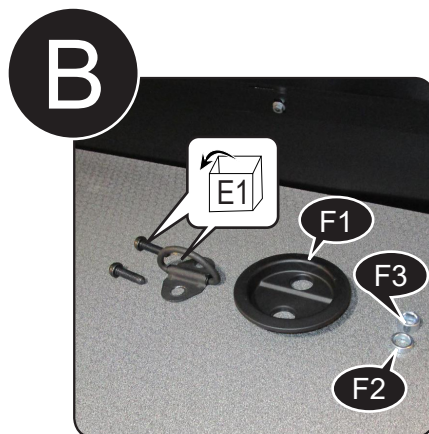
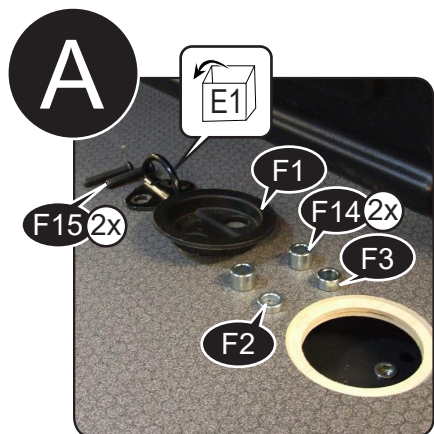


50.A

2SLD LH



51.

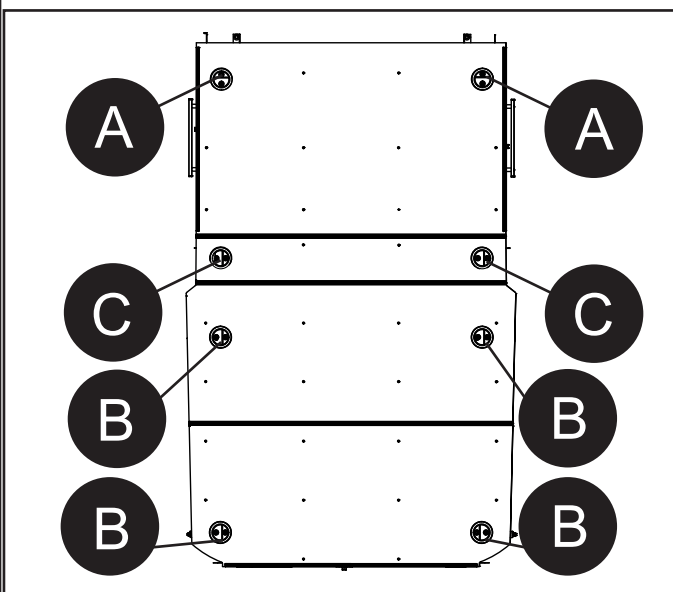
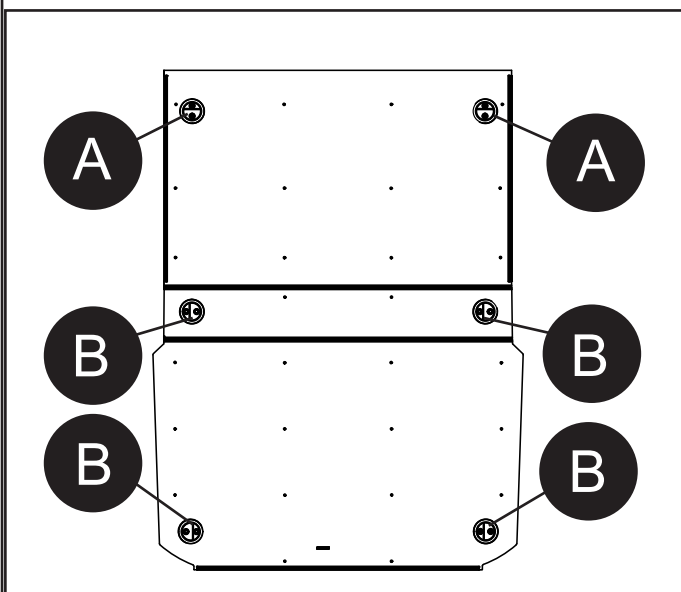


51.A

L1

51.B

L2



52.

