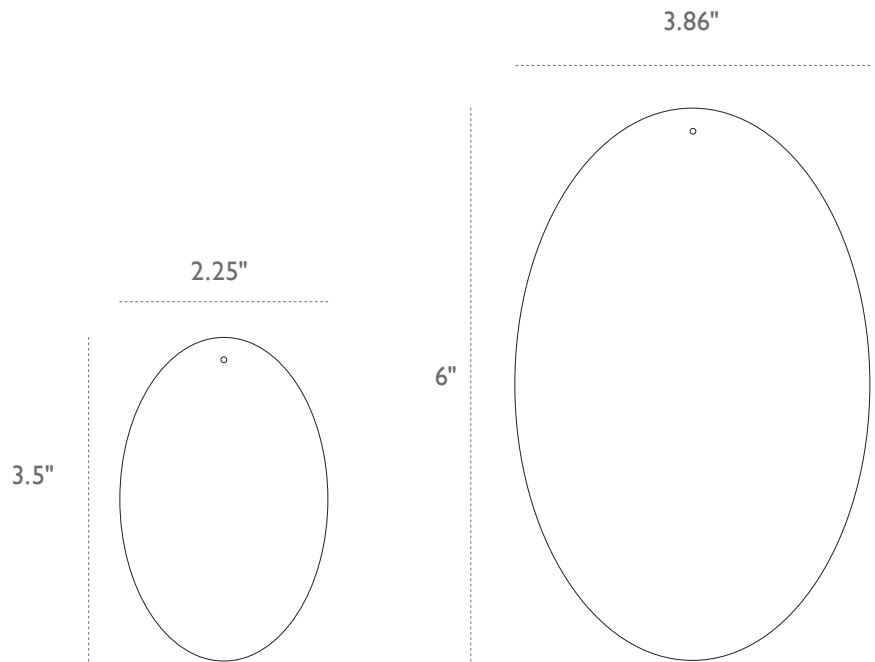


# SHIMMER

USAGE	Y/N
interior floor	N
interior wall	Y*
exterior floor	N
exterior wall	N
residential light traffic	N
commercial light traffic	N
radiant heating compatible	Y
fireplace surround	Y*
shower	N
steam shower	N
fountain	N
freeze thaw	Y
pool	N
heat resistant	Y*
sink backsplash	N
stove backsplash	N
grout type	n/a
grout joint size	n/a
UV resistant	Y



\* There are specific installation requirements for this usage, read more information under the installation section of this document

# SHIMMER—TRADE

---

## INSPECTING YOUR SHIPMENT

- The Shimmer collection has low color and shade variation but it is still very important to blend the sequins from all boxes once they arrive and place them in their installation area to ensure you have the layout you want before installing. Do not install without blending tiles from all boxes.
- Industry standard suggests adding at least 15% overage due to tile cuts, potential breakage, or future repairs.
- Dust and residue from shipping should be cleaned prior to installing. This can be done with a damp sponge followed by a microfiber cloth to make sure that tiles are dried completely, otherwise water spots will appear.
- **NOTE:** Oil from fingerprints can stain and tarnish sequins if not promptly cleaned off using a microfiber cloth. To avoid having to wipe down the sequins, we suggest wearing cloth archival gloves while inspecting your shipment and during installation.

---

## INSTALLATION

- clé's guides are only to help direct you in the right path for a proper installation. Each project is unique and therefore requires a professional who can provide the exact specifications for your project.
- Tile is merely the surface of your construction. Installation problems will arise from substrate or construction engineering and/or installation issues. Please refer to your project architect, structural engineer and/or installer to have the best results for your tile finish.
- As is standard in the tile industry, installation deems acceptance of materials. Do not install if there are visible issues. If you have any doubts or are unsure of what qualifies as a visible issue for the tile you are installing, please reach out to us prior to installation. Our tiles are subject to variations in color, texture, size and finish. Do not install if you have any doubts about visible issues. Misuse by contractor or end-user including but not limited to negligence, physical and/or chemical abuse is not covered by clé's warranty.
- Brass sequins can be installed over the following surfaces: drywall, plaster, plywood and cement fiber backer board.
- Our brass sequins are only recommended for interior wall applications such as entryways, hallways, accent walls, and fireplace surrounds. Not suitable for floors.
- Our brass sequins are noncombustible but can absorb heat and may become hot to the touch. Please use on fireplace surrounds at your discretion.
- Do not install near burners or wet areas.
- Test your substrate to make sure you are able to drive a  $\frac{3}{4}$ " brass nail into the surface. Keep in mind—you will be driving between ten to thirty nails per square foot into your substrate.
- Sequins can be installed on modular plywood panels if you do not wish to hammer directly into your walls. For this application you would need to secure the plywood panels to the underlying framing (studs).
- There are many ways to layout and install the Shimmer Collection. We have provided instructions below for a standard offset pattern that will create a fish scale like appearance.
- In order to layout the brass sequins, you will need to measure out a multi-row grid with points showing where to drive in nails and hang tiles on your wall.

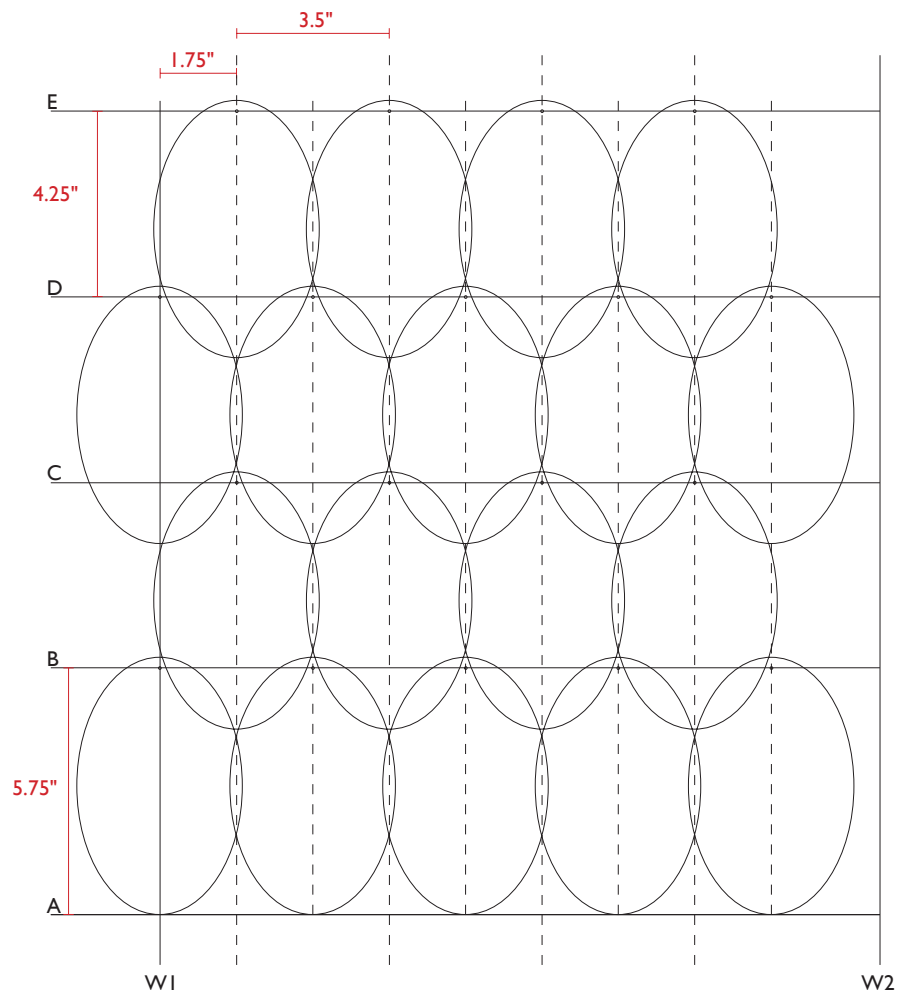
- The directions below start with laying out the base and exterior lines of the grid (bottom, left side, right side) then provide measurements to space out your horizontal rows moving from the bottom of the installation to the top. Lastly, we will provide measurements for marking your points which will space out the sequins within the rows you have just made. Please see the drawings below for visual reference. If your space doesn't allow for the sizing in the drawing, simply adjust the sequins as needed to fit your space.

---

LARGE SEQUIN  
INSTALLATION

- Start by making the base (bottom) of your grid. Make a level horizontal line at the bottom of your installation that runs from the left edge to the right edge of the installation area. Label this line "A".
- Measure 2" in from the left edge of the line and make a mark. This mark will be where your left "wall" and your bottom line meet.
- Next, you will define the left wall of your installation by making a plumb vertical line that runs from the top to the bottom of your installation area.
  - This line should meet the 2" mark that was just made on the bottom line of the installation.
  - These lines should form an L and a right angle.
  - Label this line "W1".
- Next, define the right wall of your installation by making a plumb vertical line that runs from the top to the bottom of your installation area.
  - This line should intersect with the right end of your bottom line forming a right angle.
  - Label this line "W2".
- Next, measure the first row of your grid.
- On the left line (W1) of your grid measure 5  $\frac{3}{4}$ " up from your base line (line A) and make a mark.
  - Label this line "B".
- Repeat Step 5 on the right line of your grid. You should now have one mark on the left and one on the right which are parallel to each other.
- Next, using a ruler or chalk line draw (or snap) a line between the two points you have just made.
  - This should make a level horizontal line and form your first and tallest row.
  - All other rows will be shorter which will allow the sequins to overlap.
- Measure the rest of your rows. Starting from line B mark on the left "wall"(line W1) measure and mark every 4  $\frac{1}{4}$ " until you reach the top of your installation.
- Repeat Step 9 on the right "wall" (line W2) of your installation.
- Next, using a ruler or chalk line draw (or snap) lines between parallel points on line W1 and line W2 moving from the bottom to the top. These lines will form 4  $\frac{1}{2}$ " rows. Your grid should now look like ruled notebook paper with one tall row at the bottom.
- Next, mark out the 3  $\frac{1}{2}$ " spacing between the nails on the horizontal lines where each sequin will hang.
- Begin at the bottom of the installation and move to the top so the sequins overlap.
- Sequins will be hung every 3  $\frac{1}{2}$ " and rows will be offset.
- The first point where a sequin will hang is the intersection of line B and line W1.
- For the second point, measure 3  $\frac{1}{2}$ " to the right of the first and make a mark.
- You will now measure and mark every 3  $\frac{1}{2}$ " until you reach line W2 and the row is complete.
- The next row (line C in the diagram) will be offset from the first. To achieve this, measure 1  $\frac{3}{4}$ " to the right of line W1 and make a mark.

- For the second point on line C measure 3 ½" to the right of the first and make a mark.
- You will now measure and mark every 3 ½" until you reach line W2 and the row is complete.
- For the next row (line D in the diagram) the first mark will be made directly line W1.
- Repeat the same spacing and marking from Steps 19 and 20 (the same as Steps 16 and 17) until you reach line W2 and the row is complete.
- You have now started to establish your offset layout by alternating where the first sequin will be placed on each row.
  - Think of this as an A, B pattern.
  - If your last row started directly on line W1 your next row will start 1 ¾" to the right of line W1.
- Continue marking the placement of sequins in your rows until you reach the top of your installation.



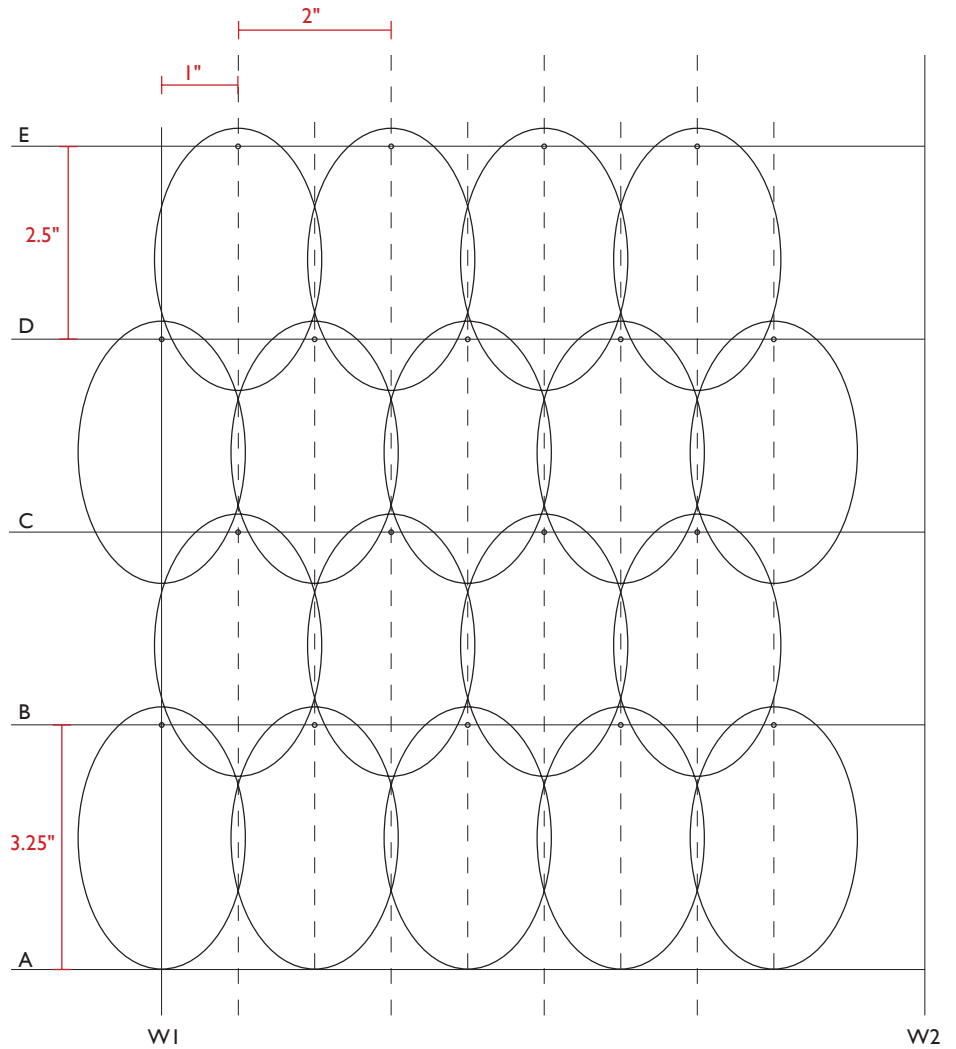
\* If your space doesn't allow for this sizing, simply adjust the sequins as needed to fit your space.

---

SMALL SEQUIN  
INSTALLATION

- Start by making the base (bottom) of your grid. Make a level horizontal line at the bottom of your installation that runs from the left edge to the right edge of the installation area. Label this line “A”.
- Measure 2" in from the left edge of the line and make a mark. This mark will be where your left “wall” and your bottom line meet.
- Next, you will define the left wall of your installation by making a plumb vertical line that runs from the top to the bottom of your installation area.
  - This line should meet the 2" mark that was just made on the bottom line of the installation.
  - These lines should form an L and a right angle.
  - Label this line “W1”.
- Next, define the right wall of your installation by making a plumb vertical line that runs from the top to the bottom of your installation area.
  - This line should intersect with the right end of your bottom line forming a right angle.
  - Label this line “W2”.
- Next, you will measure the first row of your grid.
  - On the left line (W1) of your grid measure  $3\frac{1}{4}$ " up from your base line (line A) and make a mark.
  - Label this line “B”.
- Repeat Step 5 on the right line of your grid. You should now have one mark on the left and one on the right which are parallel to each other.
- Next, using a ruler or chalk line draw (or snap) a line between the two points you have just made.
  - This should make a level horizontal line and form your first and tallest row.
  - All other rows will be shorter which will allow the sequins to overlap.
- Measure the rest of your rows. Starting from line B mark on the left “wall” (line W1) measure and mark every  $2\frac{1}{2}$ " until you reach the top of your installation.
- Repeat Step 9 on the right “wall” (line W2) of your installation.
- Next, using a ruler or chalk line draw (or snap) lines between parallel points on line W1 and line W2 moving from the bottom to the top. These lines will form  $4\frac{1}{2}$ " rows. Your grid should now look like ruled notebook paper with one tall row at the bottom.
- Next, mark out the 2" spacing between the nails on the horizontal lines where each sequin will hang.
  - Begin at the bottom of the installation and move to the top so the sequins overlap.
  - Sequins will be hung every 2" and rows will be offset.
  - The first point where a sequin will hang is the intersection of line B and line W1.
  - For the second point measure 2" to the right of the first and make a mark.
  - You will now measure and mark every 2" until you reach line W2 and the row is complete.
- The next row (line C in the diagram) will be offset from the first. To achieve this measure 1" to the right of line W1 and make a mark.
  - For the second point on line C measure 2" to the right of the first and make a mark.
  - You will now measure and mark every 2" until you reach line W2 and the row is complete.
- For the next row (line D in the diagram) the first mark will be made directly line W1.
- Repeat the same spacing and marking from Steps 19 and 20 (the same as Steps 16 and 17) until you reach line W2 and the row is complete.

- You have now started to establish your offset layout by alternating where the first sequin will be placed on each row.
  - Think of this as an A,B pattern.
  - If your last row started directly on line W1 your next row will start 1" to the right of line W1.
- Continue marking the placement of sequins in your rows until you reach the top of your installation.



\* If your space doesn't allow for this sizing, simply adjust the sequins as needed to fit your space.

---

## SETTING SEQUIN

- Now that you have made your grid and marked out where your sequins will hang, is it time to attach them to the wall.
  - To have the tiles overlap correctly you will need to start from the bottom and work your way up the wall.
  - You will drive your nails into the marks you have made on the horizontal lines of your grid.
  - Place a washer behind the sequin and drive the pin through the hole in the sequin and washer into the wall.
  - Each row will overlap the next. Continue moving up the wall, row after row, until your installation is complete.

---

## GROUT & SEALANT GUIDELINES

- This installation does not require grout or sealant. The brass sequins from the Shimmer Collection are held in place with  $\frac{3}{4}$ " brass escutcheon pins and washers.

---

## PATINA

- The term 'patina', refers to any fading, darkening or muting or other signs of age, which is natural and, usually, unavoidable. Patina itself is a thin layer that forms on the surface of stones, leathers, metals, clays, cements and woods that creates a protective coating.
- Derived from oxidation and other chemical introductions that render age, patina is a wear and polish enhanced by age and exposure. These effects all combine to create a softer appearance in both color and character. Around the world, patina is a celebrated finish and known as an 'antique luster'. Patina is an inherent part of brass tile installations and the reason why metal tiles are specified for so many projects requiring a surface that will age beautifully.

---

## CLEANING GUIDELINES

- Brass tiles require minimal maintenance.
- Clean using soft materials, like a cloth, instead of coarse materials.
- Brass sequins should be dusted and do not typically require liquid cleaners.
- Please be aware that brass will patina over time. Often, clients mistake the wearing of their installation as staining, however, this worn appearance indicates the early stages of patina forming. Brass sequin tiles will slowly develop a natural patina as the installation is maintained and naturally wears.
- If you would like to polish or remove patina from brass sequins this can be using Brasso or Bar Keepers Friend.
  - These products should not be applied directly on the sequins, instead, apply to a sponge or cloth and then use on sequins. Test cleaners in a small, inconspicuous spot before using over larger portions of the installation. Always follow the manufacturer's instructions when applying and using cleaners.
- After cleaning make sure that the tiles are dried completely, otherwise water spots will appear.

# SHIMMER SPECIFICATIONS

---

What's in our tile: The shimmer collection features brass sequins that mirror the glistening reflection of the sun skimming the surface of the San Francisco bay. These have been the focal point of Erica's Marin store, ever since it opened in 2010 and were inspired by the brass paillettes from a favorite pouch of hers. Architect Douglas Burnham of Envelope A+D brought the idea to life, designing a system of nested brass ovals to create a shimmering, sparkling architectural surface.

The sequins are available in two sizes. They are made of American brass and are fabricated in Northern California. Sequins come with installation instructions along with brass nails and spacers to set the sequins 1/8" from the wall.

---

## COLOR AND TEXTURE VARIATION

Brass sequins are rated V2 / T1

Due to the handmade craftsmanship of many of our tiles and the variety of materials used, there are degrees of variation in our tiles color, shade and texture. These differences are more pronounced in certain types of tiles than others, especially in tiles from separate production lots, or "batches".

The following is a guide for the different degrees of variation that we have assigned our tiles:

### COLOR VARIATION

- V1** low variation
- V2** slight variation
- V3** medium variation
- V4** heavy variation
- V5** extreme variation

### TEXTURE VARIATION

- T1** smooth
- T2** light texture
- T3** medium texture
- T4** heavy texture

---

## FLOOR RATING

N/A - Brass sequins are for interior wall applications only.



PRODUCT DESCRIPTION	Wall-mounted brass sequins.
PRODUCT COMPONENTS	Brass
DIMENSIONS	<b>Small Brass Sequin</b>   8.9 cm x 5.7 cm (3.5" x 2.25") / .03 kg per tile (.06 lb)
	<b>Large Brass Sequin</b>   15.2 cm x 9.8 cm (6" x 3.86") / .08 kg per tile (.18 lb)
	Our large and small brass sequins are made from 20 gauge brass (0.0375"). When installed directly to the wall the installation will protrude roughly 1/8" (with spacers, tile and nailhead).
AVERAGE COEFFICIENT OF FRICTION (DCOF ACUTEST)	"Wet Dynamic Coefficient of Friction" (DCOF) testing is not performed as this is strictly a wall tile.
FREEZE/THAW RESISTANCE (ASTM C1026)	Brass sequin is freeze/thaw rated.
WATER ABSORPTION (ASTM C373)	N/A
ACID RESISTANCE	Brass sequin tiles are not resistant to acids.
PATINA	<p>Often, clients mistake the wearing of their installation as staining, however, this worn appearance indicates the early stages of patina forming. Brass sequin tiles will slowly develop a natural patina as the installation is maintained and naturally wears.</p> <p>The term 'patina', refers to any fading, darkening or muting or other signs of age, which is natural and, usually, unavoidable. Patina itself is a thin layer that forms on the surface of stones, leathers, metals, clays, cements and woods that creates a protective coating.</p> <p>Derived from oxidation and other chemical introductions that render age, patina is a wear and polish enhanced by age and exposure. These effects all combine to create a softer appearance in both color and character. Around the world, patina is a celebrated finish and known as an 'antique luster'. Patina is an inherent part of brass tile installations and the reason why metal tiles are specified for so many projects requiring a surface that will age beautifully.</p>

---

LEED CREDITS

The product is an inherently non-emitting source of VOCs (stone, ceramic, metals, powder-coated metals, plated or anodized metal, glass, cement, clay brick, and unfinished or untreated solid wood) and has no integral organic-based surface coatings, binders, or sealants.

Brass sequin tiles are considered ‘inherently non-emitting sources’ under the Low-emitting Materials Credit of LEEDv4/v4.1. **This is currently the only credit for our Brass sequin tile that is eligible to be used toward LEED.**

‘Inherently non-emitting’ means that these tile types have been shown to not contribute emissions to indoor environments and are therefore exempt from demonstrating compliance with CDPH v1.1-2010 or CDPH v1.2-2017.

Use of these tiles as Wall or Flooring materials should be entered in the LEED v4.1 low-emitting materials Calculator and identified as ‘inherently non-emitting’ in the Products Tab (Column L).

Disclosures for MR Credit Material Ingredient Disclosures under LEEDv4/v4.1, are not available at this time. We are exploring our disclosure options and have not established a timeline for completion.

Disclosures for MR Credit Environmental Product Declarations under LEEDv4/4.1, are not available at this time. We are exploring our disclosure options and have not established a timeline for completion.

Contribution to MR Credit Material Sourcing under LEEDv4/v4.1, does not apply as there is no recycled content, no bio-based materials, no wood, no reused products included in our tile at this time. Extended producer responsibility programs are highly difficult to manage given the nature of end-of-use tile removal methods. *Tile can last hundreds of years but fashions often change, which is the dominant reason for its removal. We work hard to ensure our ceramic tiles can withstand the test of time while remaining timeless.*

---

RECYCLED CONTENT

There is no recycled content in our brass sequin tiles at this time. See Material Sourcing disclosure above.

---

PERCENTAGE OF PRE-CONSUMER AND/OR POST-CONSUMER MATERIALS

There is no pre-consumer or post-consumer material content in our brass sequin tiles at this time. See Material Sourcing disclosure above.

---

WET AREA APPLICATION

Brass sequin tiles should not be installed in showers, steam showers or wet room style bathrooms.

