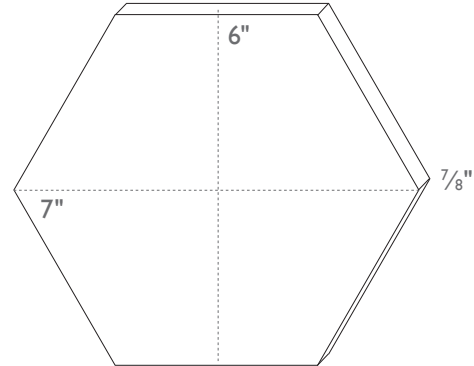
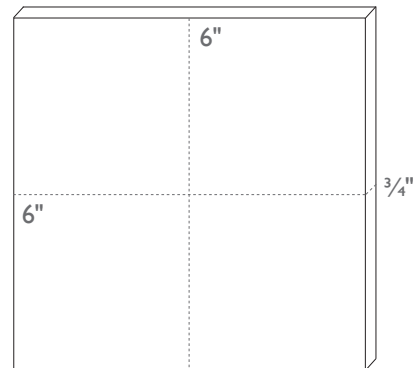


ANTIQUÉ TERRACOTTA

USAGE	Y/N
interior floor	Y*
interior wall	Y*
exterior floor	Y*
exterior wall	Y*
residential heavy traffic	Y
commercial light traffic	Y
radiant heating compatible	Y
fireplace surround	Y
shower	Y*
steam shower	Y*
fountain	N
freeze thaw	N
pool	N
heat resistant	Y
sink backsplash	Y*
stove backsplash	Y*
grout type	ultracolor plus fa
grout joint size	1/2" **
UV resistant	Y



Standard thickness for the square is 3/4" and 7/8" for the hex.

Please note there can be substantial variations in size +/- 1/2" given the reclaimed nature of these tiles.

* There are specific installation requirements for this usage, read more information under the installation, sealing, grout, and wet area application sections of this document.

** Should you find extreme variations in length between the pieces of your order, we recommend increasing or decreasing the grout joint size as needed in order to compensate and create a cohesive look.

ANTIQUÉ TERRACOTTA—TRADE

INSPECTING YOUR SHIPMENT

- Antique Terracotta tiles are not manufactured but reclaimed from antique structures. Variations in depth, color, shade and texture are to be expected as well as chips and cracks.
- Keep in mind there can be more extreme variation in size and color between batches of antique terracotta that can make add on orders difficult. Remember to take this into account when calculating your order, and be sure to purchase enough material.
- To minimize damage to orders, we do not repackage what is shipped from our recovery team in France. Due to this, there can be substantial variations in size +/- 1/2".
- If your order exhibits sizable differences in thickness, please refer to the “Thickness Variation” section below.
- **IMPORTANT:** Due to the noticeable color and shade variations, it is very important to blend the tiles from all boxes once they arrive and place them in their installation area to ensure you have the layout you want before installing. Do not install without blending tiles from all boxes.
- Industry standard suggests adding at least 15% overage due to tile cuts, potential breakage, or future repairs.
- Pre-existing patina given the age of the tiles, as well as dirt and dust as a result of the reclaiming process, are to be expected. Dust and dirt can be cleaned prior to installing, but will generally come off by itself during installation process. Any residual finish should be considered part of the antique terracotta patina. This can be done with a damp sponge or microfiber cloth.

INSTALLATION

- clé’s guides are only to help direct you in the right path for a proper installation. Each project is unique and therefore requires a professional who can provide the exact specifications for your project.
- Please refer to the current edition of the TCNA Handbook for best installation results and ANSI A137.1 American National Standard Specifications for Ceramic
- Tile to reference for specifications.
Tile is merely the surface of your construction. Installation problems will arise from substrate or construction engineering and/or installation issues. Please refer to your project architect, structural engineer and/or installer to have the best results for your tile finish.
- As is standard in the tile industry, installation deems acceptance of materials. Do not install if there are visible issues. If you have any doubts or are unsure of what qualifies as a visible issue for the tile you are installing, please reach out to us prior to installation. Our tiles are subject to variations in color, texture, size and finish. Do not install if you have any doubts about visible issues. Misuse by contractor or end-user including but not limited to negligence, physical and/or chemical abuse is not covered by clé’s warranty.
- To ensure proper bonding when setting, we recommend lightly wiping the back of each tile if there is excessive dust.
- Be sure to have 95% or more adhesive on the back of the tile to ensure the best bond when setting the tile.
- **DO NOT USE TAPE** during product installation, or otherwise. We cannot guarantee our products' safety against various construction tapes—INCLUDING BLUE TAPE.
- To accommodate variations in tile sizes, wedge spacers should be used when needed to keep tile lines straight.

THICKNESS
VARIATION

- For orders with substantial thickness variation, you will need to separate tiles into two installation groups: a thicker group and a thinner group.
- Install the thicker tile first. This will then allow you to select a backer board with the appropriate thickness to raise the thin tile up to the same height as the thick tile.
- To build up the substrate we suggest using cement fiber backer board, which comes in two thicknesses: 1/4" or 1/2".
- When selecting a cement fiber backer board, remember to take the depth of the mortar bed (for the thinner tiles) into account.

SEALANT

- clé only recommends Miracle 511 Porous Plus for an invisible, water and stain resistant sealant finish.
 - You must apply sealant or a grout release prior to grouting to minimize risk of grout haze and to allow for easy clean up.
 - Always test sealers in a small area to ensure it provides the finish you prefer.
 - For wet applications and floor installations, you must seal the grouted areas and the tile surface as the final step of installation.
 - For light commercial traffic floor installations or areas susceptible to grease build-up we recommend three to five coats of [Miracle Mira Matte](#) top-coat sealant in addition to sealing.
 - If you are installing antique terracotta on a busy kitchen backsplash where heavy staining is a concern, we recommend applying the clé top coat kit to the tile surface and grouted areas instead of using Miracle 511 Porous Plus. The [clé top coat kit](#) can provide even more protection against stains on backsplashes. Apply the top coat kit as the final step of installation.
 - If your contractor is having any issues or questions regarding this sealant, please have them reach out to Miracle tech support directly at 1-877-385-8155, as they are the best and fastest line of resolution.
 - PLEASE FOLLOW ALL MIRACLE SEALANT INSTRUCTIONS FOR BEST RESULTS as well as MAINTENANCE UPKEEP RECOMMENDATIONS.*
- * HINT: if water and oil do not bead up on the surface of your tiles then the sealant was not applied properly.

GROUT

- clé ONLY recommends [Mapei Flexcolor CQ](#) grout to reduce the risk of grout haze and staining. Make sure to always follow the manufacturer's instructions. Letting the grout sit for even a short period of time can be problematic.
- clé recommends a 1/2" grout joint. Should you find extreme variations in length between the pieces of your order, we recommend increasing or decreasing the grout joint size as needed in order to compensate and create a cohesive look.
- Grout color selection is always up to our client and/or their design professional. However, clé is often asked for our opinion on best grout selections for our tiles. And due to the large array of grout colors that are now available, clé would like to offer this general guideline on a foolproof grout color selection for any of your clé tiles.
 - First, have your professional tile contractor complete your tile installation, except for the grout portion.
 - Next, when ready to grout, ask your contractor to bring ALL grout color charts from his preferred grout manufacturers, for your review.
 - Lastly, choose a time of day when you are most pleased with the lighting in your space (either natural lighting, installed lighting or a blend of both). During that lighting and time of day, select the grout color that best matches your tile selection.

- Note that the full Mapei Flexcolor CQ color catalogue contains 40 colors to choose from. Visit the [Mapei website](#) to view.
- If you are working with a highly color-variegated tile or a combination of tiles, we recommend that you follow the above recommendations—but match your grout to the color in your varied tile or tile combination that you would most like to accentuate.
- There are two methods to grouting Antique Terracotta: grout bag method or the traditional float method.
- Be aware that floating the grout will fill in any texture on the surface of the tile and may be impossible to remove even with the use of a grout release. This is why we recommend using a grout bag.
- Working in small areas, use a grout bag to fill the joints.
- **IMPORTANT:** While applying, immediately remove any excess grout off the face of the tile with a clean, damp cloth/sponge. Do not push grout into tile texture while cleaning. Even with the use of a grout release, if grout is allowed to cure on the face of the tile it could cause grout haze and will be hard to remove.
- After grouting, clean any remaining spots of grout from the surface.
- Follow grout manufacturer’s instructions on proper drying time before applying final sealant.
- If your contractor is having any issues or questions regarding this grout, please reach out to Mapei tech support directly at 1-800-992-6273 as they are the best and fastest line of contact.

STAINING

- Grout staining is only a problem if the guidelines set for Flexcolor CQ by Mapei aren’t followed properly.
- Please make sure to follow the Mapei Flexcolor CQ [application and cleanup instructions](#) to avoid the risk of staining/grout haze and to allow for easy application and cleanability. Read all installation instructions thoroughly before use. Using consistent application procedures will produce consistent results.
- Some of these procedures for Mapei Flexcolor CQ include:
 - During grout application, immediately remove any excess grout off the face of the tile with a clean, damp cloth/sponge.
 - Use a “clean as you go” approach to spreading and washing the grout, to ensure that cleaning begins before the grout skins over and dries on the tile surface.
 - Grout small areas of between 30 to 40 sq. ft. (2.79 to 3.72 m²) at a time, so that cleaning can begin before the grout skins over and dries on the tile surface.
 - Change your water bucket frequently to prevent the development of a haze on the tile surface.
- If your contractor selects brands other than Mapei grout or Miracle sealant, please have them reach out to the respected representatives of those manufactures for advice and support on failures.

EXTERIOR
INSTALLATIONS

- **IMPORTANT:** Antique Terracotta tiles are not freeze thaw rated. Therefore we do not recommend and cannot warrant installing these outdoors in areas that regularly experience freezing temperatures*

* If you plan on installing these outdoors in areas that experience freeze/thaw, we cannot guarantee there won't be installation failures. Installations in freeze/thaw locations require flashing the top of vertical installations to prevent moisture from dripping behind the installation and installing the tiles above grade for horizontal installations. In addition, the installation must be completely sealed and maintained with a weather resistant sealant like Miracle 511 Porous Plus.

With application of Miracle Sealant, these tiles can have resistance to freeze/thaw issues. However, oftentimes there are installation failures because the specific installation guidelines and sealant maintenance is not properly followed. But if completed and maintained correctly (see manufacturer's instructions) then you can proceed WITH CAUTION.

If you can comply with all of the above and understand that without the sealant your install won't hold up—then it's up to you to proceed with installing this tile in a freeze/thaw location. We recommend your contractor reach out to both Mapei tech support for installation support and Miracle Sealant tech support on the waterproofing of the tiles.

MAINTENANCE

- Over time, a natural patina will occur on floors as they are maintained and naturally wear.
- Topical sealants like Mira Matte will require periodic stripping and re-application of sealant—please refer to a professional for this.
- Single coat reapplication of the penetrating sealant is required once a year in shower and steam shower applications due to the continuous exposure to water.
- For showers, opening windows/doors to help some of the moisture dissipate faster after use will help rid extra moisture.
- For superior water repellency in steam showers we recommend applying Miracle 511 Impregnator sealant in addition to 511 Porous Plus.
- Check with the Miracle Sealant tech support directly at 1-877-385-8155 for best advice on applying and maintaining sealants.

CLEANING

- Mild, pH neutral soaps should be sufficient for most cleaning—test before general use.
- Clean using soft materials, like a cloth, instead of coarse materials.
- Always avoid harsh chemicals and acidic or alkaline cleaning products.
- Immediately clean up spills—do not allow liquids to sit on the tile surface. Excess liquid and moisture can stain, pit and crack tile—even when properly sealed.
- Vacuum or sweep regularly—abrasive dirt and materials can scratch the surface.
- Non-slip mats or area rugs should be placed inside and outside entrance ways to remove abrasive materials that can scratch and dirty the tile surface.
- Mop floors when necessary with warm, clean water and pH neutral cleaner.
- Interior wall installations can be cleaned with warm water and damp microfiber cloth.
- Shower installations should be squeegeed after each use to prevent hard water stains, soap scum and mildew.
- Grout lines can be cleaned with warm water and a soft bristled cleaning brush.
- Most stains can be removed with a pH neutral dish soap, hot water and the scrub side of a sponge.
- To remove mildew, mold or soap scum, we recommend Miracle Sealants Liquid Powllice.
- Oil stains are difficult to remove from unglazed terracotta. They will require the use of a powllice, like Miracle Sealants Powllice Plus to draw out the stain. Follow the manufacturer's instructions for application and use.

ANTIQUÉ TERRACOTTA SPECIFICATIONS

What's in our tile: A humble clay, traditional terracotta requires few alterations and in its best form goes almost straight from the earth into the kiln. From pottery and jugs to roof tiles and building bricks, the evolution of terracotta is nothing short of transformational. The authentic quality of terracotta is indisputable; these tiles work hard and they last a long time. These reclaimed beauties contain the history of thousands of years of tile creation that is still unchanged.

Antique terracotta tiles are not manufactured but reclaimed from antique french structures. To minimize damage to orders, we do not repackage what is shipped from our recovery team in france. Due to this, there can be substantial variations in size +/- 1/2" as well as variations in color and texture.

COLOR AND TEXTURE VARIATION

Antique Terracotta tiles are rated V4 / T3

Due to the handmade craftsmanship of many of our tiles and the variety of materials used, there are degrees of variation in our tiles color, shade and texture. These differences are more pronounced in certain types of tiles than others, especially in tiles from separate production lots, or "batches".

The following is a guide for the different degrees of variation that we have assigned our tiles:

COLOR VARIATION

- V1** low variation
- V2** slight variation
- V3** medium variation
- V4** heavy variation
- V5** extreme variation

TEXTURE VARIATION

- T1** smooth
- T2** light texture
- T3** medium texture
- T4** heavy texture

FLOOR RATING

Antique Terracotta tiles are rated III
(can be used for light residential to light commercial foot traffic)

- I** light residential
for residential areas with light foot traffic. examples can include bathroom, bedroom, formal dining and living rooms. please note the following:
 - not suitable for shoes with hard sole profiles (cleats, stilettos, etc.)
 - the floor must be kept clean from abrasive debris (gravel, mud, salt, etc.)
 - immediately clean all stains (food, personal and household care products, oils, paints, chemicals etc.)

- II** heavy residential
for residential areas with continuous foot traffic. examples can include entry, hallway, kitchen, foyer, laundry and mud rooms. please note the following:
 - the floor must be kept clean from abrasive debris (sand, gravel, mud, salt, etc.)
 - immediately clean all stains (food, personal and household care products, oils, paints, chemicals etc.)
- III** light commercial
for commercial areas with light foot traffic. examples can include commercial office, doctor's office and boutique. please note the following:
 - the floor must be kept clean from abrasive debris (sand, gravel, mud, salt, etc.)
 - immediately clean all stains (food, personal and household care products, oils, paints, chemicals etc.)
- IV** heavy commercial
for commercial areas with continuous foot traffic. examples can include hotel lobby, retail, corridors in an office building, shopping mall and restaurant. please note the following:
 - the floor must be kept clean from abrasive debris (sand, gravel, mud, salt, etc.)
 - immediately clean all stains (food, personal and household care products, oils, paints, chemicals etc.)
- V** industrial
standard industrial floor use with no extreme, heavy breakage or spillage. examples can include restaurant kitchen, bar work area, winery production, exterior hotel entry, airport, car showroom, driveway. please note the following:
 - the floor must be kept clean from abrasive debris (sand, gravel, mud, salt, etc.)
 - immediately clean all stains (food, personal and household care products, oils, paints, chemicals etc.)

PRODUCT DESCRIPTION	Antique Terracotta are unglazed, non-vitreous terracotta tiles, which are hand formed, and fired. They are not manufactured but reclaimed from antique structures.				
PRODUCT COMPONENTS	Clay				
DIMENSIONS	<table border="1"> <tr> <td>Square</td> <td>15.2 cm x 15.2 cm x 1.9 cm (6" x 6" X ¾") / 1.36 kg per tile (3 lbs)</td> </tr> <tr> <td>Hex</td> <td>15.2 cm x 17.8 cm x 2.2 cm (6" x 7" X 7/8") / 1.36 kg per tile (3 lbs)</td> </tr> </table> <p>* Please note all dimensions are nominal and can vary +/- ½" given the reclaimed nature of these tiles.</p>	Square	15.2 cm x 15.2 cm x 1.9 cm (6" x 6" X ¾") / 1.36 kg per tile (3 lbs)	Hex	15.2 cm x 17.8 cm x 2.2 cm (6" x 7" X 7/8") / 1.36 kg per tile (3 lbs)
Square	15.2 cm x 15.2 cm x 1.9 cm (6" x 6" X ¾") / 1.36 kg per tile (3 lbs)				
Hex	15.2 cm x 17.8 cm x 2.2 cm (6" x 7" X 7/8") / 1.36 kg per tile (3 lbs)				
AVERAGE COEFFICIENT OF FRICTION (DCOF ACUTEST)	<p>“Wet Dynamic Coefficient of Friction” (DCOF) - DCOF testing is not performed on Antique Terracotta due to the different reclaimed batches. However the textured, unglazed surface will provide slip resistance.</p> <p>* Application of Miracle 511 Porous Plus and/or Miracle 511 Impregnator can help increase slip resistance.</p>				

FREEZE/THAW RESISTANCE (ASTM C1026)	Antique Terracotta are not freeze/thaw resistant.
WATER ABSORPTION TEST (ASTM C373)	(7.0% < absorption < 20.0%); Non-vitreous
ACID RESISTANCE	Antique Terracotta are not resistant to acids and should be cleaned with pH neutral cleaners.
LEED CREDITS	<p>The product is an inherently non-emitting source of VOCs (stone, ceramic, metals, powder-coated metals, plated or anodized metal, glass, cement, clay brick, and unfinished or untreated solid wood) and has no integral organic-based surface coatings, binders, or sealants.</p> <p>Antique Terracotta tiles are considered ‘inherently non-emitting sources’ under the Low-emitting Materials Credit of LEEDv4/v4.1. This is a credit for our Antique Terracotta tile that is eligible to be used toward LEED.</p> <p>‘Inherently non-emitting’ means that these tile types have been shown to not contribute emissions to indoor environments and are therefore exempt from demonstrating compliance with CDPH v1.1-2010 or CDPH v1.2-2017.</p> <p>Use of these tiles as Wall or Flooring materials should be entered in the LEED v4.1 low-emitting materials Calculator and identified as ‘inherently non-emitting’ in the Products Tab (Column L).</p> <p>Disclosures for MR Credit Material Ingredient Disclosures under LEEDv4/v4.1, are not available at this time. We are exploring our disclosure options and have not established a timeline for completion.</p> <p>Disclosures for MR Credit Environmental Product Declarations under LEEDv4/v4.1, are not available at this time. We are exploring our disclosure options and have not established a timeline for completion.</p> <p>Our Antique Terracotta Tile qualifies as a salvaged material under the LEEDv4/v4.1 MR Material Sourcing Credit. 100% of the product is salvaged from antique architectural structures in France. This is a credit for our Antique Terracotta tile that is eligible to be used toward LEED.</p> <p>* Antique Terracotta can contribute to two LEEDv4/v4.1 points under the Low-emitting Materials Credit and under the MR Material Sourcing Credit.</p>
RECYCLED CONTENT	There is no recycled content in our Antique Terracotta tiles. See Material Sourcing disclosure above.
PERCENTAGE OF PRE-CONSUMER AND/OR POST-CONSUMER MATERIALS	There is no pre-consumer or post-consumer material content in our Antique Terracotta tiles. See Material Sourcing disclosure above.

FIRE RATING

Typically, ceramic tile does not need to have fire rating testing performed. It is our understanding from TCNA that the explanation that ceramic is inorganic, inert, and typically free of materials that could burn or produce smoke is generally enough to satisfy a specifier and that testing is not necessary. Also, the temperatures observed in the testing are typically lower than the temperatures at which ceramic tiles are fired.

Terracotta is a ceramic tile and falls under the description, “because ceramic tile is non-flammable and does not produce smoke in a fire, it inherently meets the flame spread and smoke development requirements of Section 803 of the International Building Code (IBC) for interior wall and ceiling materials.” Please follow the link for a TCNA document supporting this and many other positive attributes to using terracotta tiles. TCNA Bulletin: Ceramic Tile for a Safe & Healthy Home.

WET AREA APPLICATION

Antique Terracotta can be installed on backsplashes, showers and steam showers with application of a waterproofing, penetrating sealant.

When installing, make sure these specific waterproofing precautions are taken:

- A waterproof membrane is used under the tile and a waterproof, penetrating sealer is used to seal the grouted areas and the tile surface. clé recommends using Miracle Sealant 511 Porous Plus.
 - Single coat reapplication of the penetrating sealant is required once a year in shower applications due to the continuous exposure to water.
 - For superior water repellency in steam showers, we recommend applying Miracle 511 Impregnator in addition to Miracle 511 Porous Plus.
- * Antique Terracotta is not suitable for pool or fountain use.