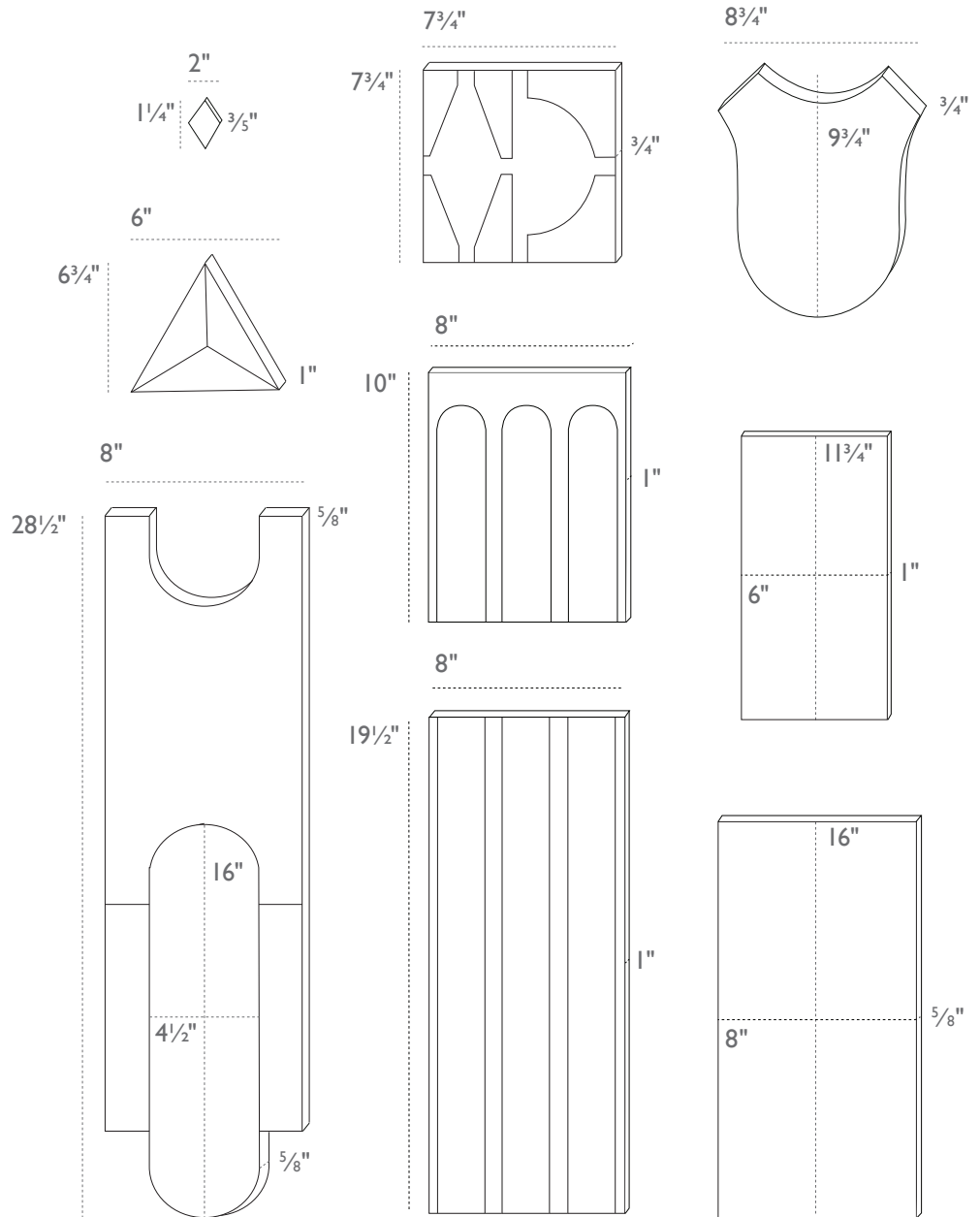


FORNACE BRIONI TERRACOTTA

USAGE	Y/N
interior floor	Y*
interior wall	Y*
exterior floor	Y*
exterior wall	Y*
residential heavy traffic	Y
commercial light traffic	Y
radiant heating compatible	Y
fireplace surround	Y
shower	Y*
steam shower	N
fountain	N
freeze thaw	N
pool	N
heat resistant	N*
sink backsplash	Y*
stove backsplash	N
grout type	flexcolor cq
grout joint size	1/8" - 3/8"
UV resistant	Y



* There are specific installation requirements for this usage, read more information under the installation, sealing, and grout sections of this document.

FORNACE BRIONI TERRACOTTA INSTALLATION

What's in our tile: Fornace Brioni cotto tiles are part of an extraordinary collection of terracotta and ceramic tiles from Gonzaga, a small town in the Lombardy region of Italy, steeped in history and Renaissance culture and renowned for its terracotta. Each cotto tile is created by hand in this family-run company, now in its fourth generation, headed by the Brioni brothers.

clé has worked with Fornace Brioni to provide the finest quality terracotta tiles available. However, for the best installation, it is important that you hire a highly qualified tile contractor for your project.

YOUR TILE INSTALLATION IS ONLY AS GOOD AS YOUR INSTALLER.

INSPECTING YOUR SHIPMENT

- All Fornace Brioni tiles are made by hand, therefore slight variations in thickness, depth, color, shade and size are to be expected.
 - **IMPORTANT:** Due to the noticeable color and shade variations, it is very important to blend the tiles from all boxes once they arrive and place them in their installation area to ensure you have the layout you want before installing. Do not install without blending tiles from all boxes.
 - Industry standard suggests adding at least 15% overage due to tile cuts, potential breakage, or future repairs.
 - Dust and residue from shipping should be cleaned prior to installing. This can be done with a damp sponge or microfiber cloth.
-

FOR INSTALLATION GUIDELINES

- clé's guides are only to help direct you in the right path for a proper installation. Each project is unique and therefore requires a professional who can provide the exact specifications for your project.
- Please have your installer refer to the current edition of the TCNA Handbook for best installation results and ANSI A137.1 American National Standard Specifications for Ceramic Tile to reference for specifications.
- Tile is merely the surface of your construction. Installation problems will arise from substrate or construction engineering and/or installation issues. Please refer to your project architect, structural engineer and/or installer to have the best results for your tile finish.
- -As is standard in the tile industry, installation deems acceptance of materials. Do not install if there are visible issues. If you have any doubts or are unsure of what qualifies as a visible issue for the tile you are installing, please reach out to us prior to installation. Our tiles are subject to variations in color, texture, size and finish. Do not install if you have any doubts about visible issues. Misuse by contractor or end-user including but not limited to negligence, physical and/or chemical abuse is not covered by clé's warranty.
- Be sure to have 95% or more adhesive on the back of the tile to ensure the best bond when setting.
- **ONLY** Cotto Rosato, Cotto Grigio, Bibiena, Unglazed Tivoli and Cotto Variegato are suitable for floor, sink backsplash and shower installations.

- **IMPORTANT:** Fornace Brioni terracotta—like most tiles, cannot be placed where excessive heat is directed onto them (inside fireplaces, pizza ovens and oven venting). If you are wanting to install these behind a stove range/oven vent, we highly recommend that there is at least a 4" metal splash (provided by the range manufacturer) between the tile and the vent to deflect heat from blowing directly onto the tiles.
- If you are installing near something very hot like a pizza oven (backsplash, wall) we recommend at least a 6" space between the tile and oven.
- **IMPORTANT:** Fornace Brioni terracotta tiles are not freeze thaw rated. Therefore we do not recommend and cannot warrant installing these outdoors in areas that regularly experience freezing temperatures*

* If you plan on installing these outdoors in areas that experience freeze/thaw, we cannot guarantee there won't be installation failures. Installations in freeze/thaw locations require flashing the top of vertical installations to prevent moisture from dripping behind the installation and installing the tiles above grade for horizontal installations. In addition, the installation must be completely sealed and maintained with a weather resistant sealant like Miracle 511 Porous Plus.

With application of Miracle Sealant, these tiles can have resistance to freeze/thaw issues. However, oftentimes there are installation failures because the specific installation guidelines and sealant maintenance is not properly followed. But if completed and maintained correctly (see manufacturer's instructions) then you can proceed WITH CAUTION.

If you can comply with all of the above and understand that without the sealant your install won't hold up - then it's up to you to proceed with installing this tile in a freeze/thaw location. We recommend your contractor reach out to both Mapei tech support for installation support and Miracle Sealant tech support on the waterproofing of the tiles.

GROUT GUIDELINES

- clé ONLY recommends [Mapei Flexcolor CQ](#) for Fornace Brioni terracotta tile installations.
- Use of any other grout types can result in installation issues.
- Grout color selection is always up to our client and/or their design professional. However, clé is often asked for our opinion on best grout selections for our tiles. And due to the large array of grout colors that are now available, clé would like to offer this general guideline on a foolproof grout color selection for any of your clé tiles.
 - First, have your professional tile contractor complete your tile installation, except for the grout portion.
 - Next, when ready to grout, ask your contractor to bring ALL grout color charts from his preferred grout manufacturers, for your review.
 - Lastly, choose a time of day when you are most pleased with the lighting in your space (either natural lighting, installed lighting or a blend of both). During that lighting and time of day, select the grout color that best matches your tile selection.
- Note that the full Mapei Flexcolor CQ color catalogue contains 40 colors to choose from. Visit the [Mapei website](#) to view.
- If you are working with a highly color-variegated tile or a combination of tiles (checkered or otherwise), we recommend that you follow the above recommendations—but match your grout to the color in your varied tile or tile combination that you would most like to accentuate.
- If your contractor selects brands other than Mapei grout or Miracle sealant, please have them reach out to the respected representatives of those manufactures for advice and support on failures.

- clé recommends the below grout joint sizes:
 - trama cotto bianco: 1/8"
 - trama cotto rosato: 1/8"
 - trama grey cotto Ø1: 1/8"
 - trama grey cotto ØØ: 1/8"
 - mantegna grey cotto Ø1: 1/8"
 - mantegna cotto rosato: 1/8"
 - mantegna cotto bianco: 1/8"
 - acanti: 3/8"
 - giulio romano cotto rosato: 3/8"
 - tavella cotto variegato Ø1: 3/8"
 - tavella cotto variegato Ø5: 3/8"
 - tavella cotto variegato Ø8: 3/8"
 - tavella cotto variegato Ø9: 3/8"
 - fornace brioni + clé cotto grigio rectangle: 3/8"
 - fornace brioni + clé cotto rosato rectangle: 3/8"
 - cotto tivoli unglazed (bundle) – 3/8"
 - bibiena cotto bianco + variegato Ø3: 3/8"
- Grouting is generally not done for dry decorative wall applications of these tiles, but if you prefer to grout you will need to apply sealant or a grout release prior to grouting (for easier clean up and to reduce the risk of grout haze) and then use a grout bag to fill the joints due to the shape and depth of the tile.
- **ONLY** Cotto Rosato, Cotto Grigio, Bibiena, Unglazed Tivoli and Cotto Variegato are suitable for floor, sink backsplash and shower installations. For all floor and wet applications (sink backsplash and shower), grouting is required. You will need to seal the tile surface before grouting and then seal both the tile surface and grouted areas as the final step of installation.
If your contractor is having any issues or questions regarding this grout, please reach out to Mapei tech support directly at 1-800-992-6273 as they are the best and fastest line of contact.

MAINTENANCE &
SEALING GUIDELINES

- clé only recommends the use of [Miracle 511 Porous Plus](#) for an invisible sealant finish.
- Fornace Brioni terracotta tiles are extremely porous and should be sealed before and after grouting to maintain their appearance and avoid staining.
- For wet applications and floor installations of unglazed terracotta tiles, you must seal the grouted areas and the tile surface as the final step of installation.
- Over time, a natural patina will occur on floors as they are maintained and naturally wear.
- **IMPORTANT:** The more foot traffic there is, the more wear and tear you will have and the more maintenance the floor will require.
- For residential heavy traffic floor installations or areas susceptible to grease build-up, we recommend three to five coats of [Miracle Mira Matte](#) top-coat sealant in addition to sealing.
- Maintenance will include periodic stripping and re-application of sealant, especially for residential heavy traffic floors—please refer to a professional for this.
- Single coat reapplication of the penetrating sealant is required at least once a year in shower applications due to the continuous exposure to water.
- For superior water repellency in showers, we recommend applying [Miracle 511 Impregnator](#) in addition to [Miracle 511 Porous Plus](#).

- For showers, opening windows/doors to help some of the moisture dissipate faster after use will help rid extra moisture.
- If your contractor is having any issues or questions regarding this sealant, please have them reach out to Miracle tech support directly at 1-877-385-8155, as they are the best and fastest line of resolution.
- PLEASE FOLLOW ALL MIRACLE SEALANT INSTRUCTIONS FOR BEST RESULTS as well as MAINTENANCE UPKEEP RECOMMENDATIONS.*

* **HINT:** if water and oil do not bead up on the surface of your tiles then the sealant was not applied properly.

CLEANING
GUIDELINES

- Immediately clean up spills—do not allow liquids to sit on the tile surface. Excess liquid and moisture can stain, pit and crack tile—even when properly sealed.
- Mild, pH neutral soaps should be sufficient for most cleaning—test before general use.
- Clean using soft materials, like a cloth, instead of coarse materials.
- Always avoid harsh chemicals and acidic or alkaline cleaning products.
- Vacuum or sweep regularly—abrasive dirt and materials can scratch the surface.
- Non-slip mats or area rugs should be placed inside and outside entrance ways to remove abrasive materials that can scratch and dirty the tile surface.
- Mop floors when necessary with warm, clean water and pH neutral cleaner.
- Interior wall installations can be cleaned with warm water and damp microfiber cloth.
- Shower installations should be squeegeed after each use to prevent hard water stains, soap scum and mildew.
- Grout lines can be cleaned with warm water and a soft bristled cleaning brush.
- Most stains can be removed with a pH neutral dish soap, hot water and the scrub side of a sponge.
- clé recommends the use of Miracle Porcelain & Ceramic Tile Cleaner to remove stubborn stains, grease build up, soap scum, hard water deposits and everyday grime.
- Miracle Tile & Stone Cleaner is effective as an ongoing maintenance cleaner and is gentle for everyday use.
- To remove difficult mildew, mold or soap scum, we recommend Miracle Sealants Liquid Powlitice.
- Oil stains are difficult to remove from terracotta. They will require the use of a powlitice, like Miracle Sealants Powlitice Plus to draw out the stain. Follow the manufacturer's instructions for application and use.

COLOR AND TEXTURE
VARIATION

Fornace Brioni terracotta tiles are rated V2 – V4, T2 – T3

Due to the handmade craftsmanship of many of our tiles and the variety of materials used, there are degrees of variation in our tiles color, shade and texture. These differences are more pronounced in certain types of tiles than others, especially in tiles from separate production lots, or “batches”.

The following is a guide for the different degrees of variation that we have assigned our tiles:

COLOR VARIATION

- V1** low variation
- V2** slight variation
- V3** medium variation
- V4** heavy variation
- V5** extreme variation

TEXTURE VARIATION

- T1** smooth
- T2** light texture
- T3** medium texture
- T4** heavy texture

FLOOR RATING

Cotto Rosato, Cotto Grigio, Bibiena, Unglazed Tivoli and Cotto Variegato tiles are rated III (can be used for light residential to light commercial foot traffic).

- I** light residential
for residential areas with light foot traffic. examples can include bathroom, bedroom, formal dining and living rooms. please note the following:
 - not suitable for shoes with hard sole profiles (cleats, stilettos, etc.)
 - the floor must be kept clean from abrasive debris (gravel, mud, salt, etc.)
 - immediately clean all stains (food, personal and household care products, oils, paints, chemicals etc.)
- II** heavy residential
for residential areas with continuous foot traffic. examples can include entry, hallway, kitchen, foyer, laundry and mud rooms. please note the following:
 - the floor must be kept clean from abrasive debris (sand, gravel, mud, salt, etc.)
 - immediately clean all stains (food, personal and household care products, oils, paints, chemicals etc.)
- III** light commercial
for commercial areas with light foot traffic. examples can include commercial office, doctor’s office and boutique. please note the following:
 - the floor must be kept clean from abrasive debris (sand, gravel, mud, salt, etc.)
 - immediately clean all stains (food, personal and household care products, oils, paints, chemicals etc.)

IV heavy commercial

for commercial areas with continuous foot traffic. examples can include hotel lobby, retail, corridors in an office building, shopping mall and restaurant. please note the following:

- the floor must be kept clean from abrasive debris (sand, gravel, mud, salt, etc.)
- immediately clean all stains (food, personal and household care products, oils, paints, chemicals etc.)

V industrial

standard industrial floor use with no extreme, heavy breakage or spillage. examples can include restaurant kitchen, bar work area, winery production, exterior hotel entry, airport, car showroom, driveway. please note the following:

- the floor must be kept clean from abrasive debris (sand, gravel, mud, salt, etc.)
- immediately clean all stains (food, personal and household care products, oils, paints, chemicals etc.)

* Giulio Romano, Acanti, Mantegna and Trama mosaic are for wall applications only.