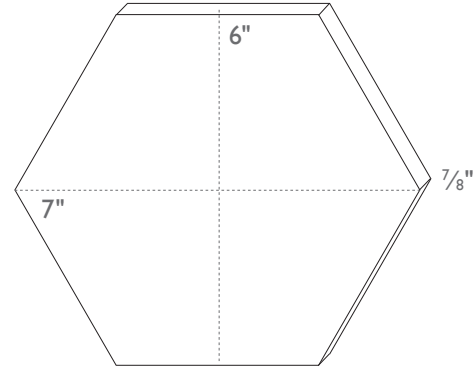
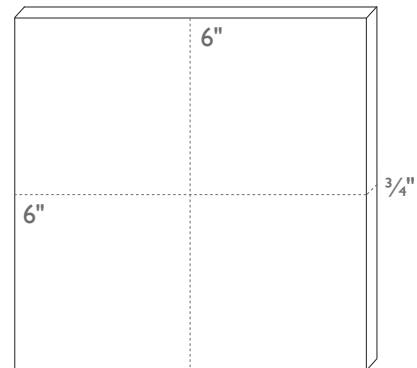


ANTIQUÉ TERRACOTTA

USAGE	Y/N
interior floor	Y*
interior wall	Y*
exterior floor	Y*
exterior wall	Y*
residential heavy traffic	Y
commercial light traffic	Y
radiant heating compatible	Y
fireplace surround	Y
shower	Y*
steam shower	Y*
fountain	N
freeze thaw	N
pool	N
heat resistant	Y
sink backsplash	Y*
stove backsplash	Y*
grout type	ultracolor plus fa
grout joint size	1/2" **
UV resistant	Y



Standard thickness for the square is 3/4" and 7/8" for the hex.

Please note there can be substantial variations in size +/- 1/2" given the reclaimed nature of these tiles.

* There are specific installation requirements for this usage, read more information under the installation, sealing, grout, and wet area application sections of this document.

** Should you find extreme variations in length between the pieces of your order, we recommend increasing or decreasing the grout joint size as needed in order to compensate and create a cohesive look.

ANTIQUÉ TERRACOTTA INSTALLATION

A humble clay, traditional terracotta requires few alterations and in its best form goes almost straight from the earth into the kiln. From pottery and jugs to roof tiles and building bricks, the evolution of terracotta is nothing short of transformational. The authentic quality of terracotta is indisputable; these tiles work hard and they last a long time. These reclaimed beauties contain the history of thousands of years of tile creation that is still unchanged.

Antique terracotta tiles are not manufactured but reclaimed from antique french structures. To minimize damage to orders, we do not repackage what is shipped from our recovery team in France. Due to this, there can be substantial variations in size +/- 1/2" as well as variations in color and texture.

YOUR TILE INSTALLATION IS ONLY AS GOOD AS YOUR INSTALLER.

INSPECTING YOUR SHIPMENT

- Antique Terracotta tiles are not manufactured but are reclaimed from antique structures.
- Variations in depth, color, shade and texture are to be expected as well as chips and cracks.
- Keep in mind there can be more extreme variation in size and color between batches of antique terracotta that can make add on orders difficult. Remember to take this into account when calculating your order, and be sure to purchase enough material.
- To minimize damage to orders, we do not repackage what is shipped from our recovery team in France. Due to this, there can be substantial variations in size +/- 1/2".
- If your order exhibits sizable differences in thickness, please refer to the notes about thickness under Installation Guidelines.
- **IMPORTANT:** Due to the noticeable color and shade variations, it is very important to blend the tiles from all boxes once they arrive and place them in their installation area to ensure you have the layout you want before installing. Do not install without blending tiles from all boxes.
- Industry standard suggests adding at least 15% overage due to tile cuts, potential breakage, or future repairs.
- Pre-existing patina given the age of the tiles, as well as dirt and dust as a result of the reclaiming process, are to be expected. Dust and dirt can be cleaned prior to installing, but will generally come off by itself during installation process. Any residual finish should be considered part of the antique terracotta patina. This can be done with a damp sponge or microfiber cloth.

FOR INSTALLATION GUIDELINES

- clé's guides are only to help direct you in the right path for a proper installation.
- Each project is unique and therefore requires a professional who can provide the exact specifications for your project.
- Please have your installer refer to the current edition of the TCNA Handbook for best installation results and ANSI A137.1 American National Standard Specifications for Ceramic Tile to reference for specifications.
- Tile is merely the surface of your construction. Installation problems will arise from substrate or construction engineering and/or installation issues. Please refer to your project architect, structural engineer and/or installer to have the best results for your tile finish.

- As is standard in the tile industry, installation deems acceptance of materials. Do not install if there are visible issues. If you have any doubts or are unsure of what qualifies as a visible issue for the tile you are installing, please reach out to us prior to installation. Our tiles are subject to variations in color, texture, size and finish. Do not install if you have any doubts about visible issues. Misuse by contractor or end-user including but not limited to negligence, physical and/or chemical abuse is not covered by clé's warranty.
- To ensure proper bonding when setting, we recommend lightly wiping the back of each tile if there is excessive dust.
- Be sure to have 95% or more adhesive on the back of the tile to ensure the best bond when setting.
- **DO NOT USE TAPE** during product installation, or otherwise. We cannot guarantee our products' safety against various construction tapes—INCLUDING BLUE TAPE.
- For orders with substantial thickness variation, you will need to separate tiles into two installation groups: a thicker group and a thinner group.
- Install the thicker tile first. This will then allow you to select a backer board with the appropriate thickness to raise the thin tile up to the same height as the thick tile.
- To build up the substrate we suggest your installer use cement fiber backer board, which comes in two thicknesses: ¼" or ½".
- When selecting a cement fiber backer board, remember to take the depth of the mortar bed (for the thinner tiles) into account.
- **IMPORTANT:** Antique Terracotta tiles are not freeze thaw rated. Therefore we do not recommend and cannot warrant installing these outdoors in areas that regularly experience freezing temperatures*

* If you plan on installing these outdoors in areas that experience freeze/thaw, we cannot guarantee there won't be installation failures. Installations in freeze/thaw locations require flashing the top of vertical installations to prevent moisture from dripping behind the installation and installing the tiles above grade for horizontal installations. In addition, the installation must be completely sealed and maintained with a weather resistant sealant like Miracle 511 Porous Plus.

With application of Miracle Sealant, these tiles can have resistance to freeze/thaw issues. However, oftentimes there are installation failures because the specific installation guidelines and sealant maintenance is not properly followed. But if completed and maintained correctly (see manufacturer's instructions) then you can proceed WITH CAUTION.

If you can comply with all of the above and understand that without the sealant your install won't hold up—then it's up to you to proceed with installing this tile in a freeze/thaw location. We recommend your contractor reach out to both Mapei tech support for installation support and Miracle Sealant tech support on the waterproofing of the tiles.

GROUT GUIDELINES

- clé ONLY recommends [Mapei Flexcolor CQ](#) grout for Antique Terracotta installations.
- Use of any other grout types can result in installation issues.
- clé recommends a ½" grout joint. Should you find extreme variations in length between the pieces of your order, we recommend increasing or decreasing the grout joint size as needed in order to compensate and create a cohesive look.
- To accommodate variations in tile sizes, wedge spacers should be used when needed to keep tile lines straight.

- We recommend using a grout bag to fill the grout joints.
- If your contractor chooses to use the traditional float method, be aware that floating the grout will fill in any texture on the surface of the tile and may be impossible to remove even with the use of a grout release. This is why we recommend using a grout bag.
- Grout color selection is always up to our client and/or their design professional. However, clé is often asked for our opinion on best grout selections for our tiles. And due to the large array of grout colors that are now available, clé would like to offer this general guideline on a foolproof grout color selection for any of your clé tiles.
 - First, have your professional tile contractor complete your tile installation, except for the grout portion.
 - Next, when ready to grout, ask your contractor to bring ALL grout color charts from his preferred grout manufacturers, for your review.
 - Lastly, choose a time of day when you are most pleased with the lighting in your space (either natural lighting, installed lighting or a blend of both).
 - During that lighting and time of day, select the grout color that best matches your tile selection.
- Note that the full Mapei Flexcolor CQ color catalogue contains 40 colors to choose from. Visit the [Mapei website](#) to view.
- If you are working with a highly color-variegated tile or a combination of tiles, we recommend that you follow the above recommendations—but match your grout to the color in your varied tile or tile combination that you would most like to accentuate.
- If your contractor is having any issues or questions regarding this grout, please reach out to Mapei tech support directly at 1-800-992-6273 as they are the best and fastest line of contact.

MAINTENANCE &
SEALING GUIDELINES

- clé only recommends the use of [Miracle 511 Porous Plus](#) for an invisible sealant finish.
- Antique Terracotta tiles are porous and should be sealed before and after grouting to maintain their appearance and avoid staining.
- For wet applications and floor installations, you must seal the grouted areas and the tile surface as the final step of installation.
- Over time, a natural patina will occur on floors as they are maintained and naturally wear.
- For residential heavy traffic floor installations or areas susceptible to grease build-up we recommend three to five coats of [Miracle Mira Matte](#) top-coat sealant in addition to sealing.
- If you are installing antique terracotta on a busy kitchen backsplash where heavy staining is a concern, we recommend applying the [clé top coat kit](#) to the tile surface and grouted areas instead of using Miracle 511 Porous Plus. The clé top coat kit can provide even more protection against stains on backsplashes. Apply the top coat kit as the final step of installation.
- Topical sealants like Mira Matte will require periodic stripping and re-application of sealant—please refer to a professional for this.
- Single coat reapplication of the penetrating sealant is required once a year in shower and steam shower applications due to the continuous exposure to water.
- For superior water repellency in steam showers we recommend applying Miracle 511 Impregnator sealant in addition to 511 Porous Plus.

- For showers, opening windows/doors to help some of the moisture dissipate faster after use will help rid extra moisture.
- If your contractor is having any issues or questions regarding this sealant, please have them reach out to Miracle tech support directly at 1-877-385-8155, as they are the best and fastest line of resolution.
- PLEASE FOLLOW ALL MIRACLE SEALANT INSTRUCTIONS FOR BEST RESULTS as well as MAINTENANCE UPKEEP RECOMMENDATIONS.*

* **HINT:** if water and oil do not bead up on the grout lines then the sealant was not applied properly.

CLEANING
GUIDELINES

- Mild, pH neutral soaps should be sufficient for most cleaning—test before general use.
- Clean using soft materials, like a cloth, instead of coarse materials.
- Always avoid harsh chemicals and acidic or alkaline cleaning products.
- Immediately clean up spills—do not allow liquids to sit on the tile surface. Excess liquid and moisture can stain, pit and crack tile—even when properly sealed.
- Vacuum or sweep regularly—abrasive dirt and materials can scratch the surface.
- Non-slip mats or area rugs should be placed inside and outside entrance ways to remove abrasive materials that can scratch and dirty the tile surface.
- Mop floors when necessary with warm, clean water and pH neutral cleaner. Interior wall installations can be cleaned with warm water and damp microfiber cloth.
- Shower installations should be squeegeed after each use to prevent hard water stains, soap scum and mildew.
- Grout lines can be cleaned with warm water and a soft bristled cleaning brush.
- Most stains can be removed with a pH neutral dish soap, hot water and the scrub side of a sponge.
- To remove mildew, mold or soap scum, we recommend Miracle Sealants Liquid Powltice.
- Oil stains are difficult to remove from unglazed terracotta. They will require the use of a powltice, like Miracle Sealants Powltice Plus to draw out the stain. Follow the manufacturer's instructions for application and use.

COLOR AND TEXTURE
VARIATION

Antique Terracotta tiles are rated V4 / T3

Due to the handmade craftsmanship of many of our tiles and the variety of materials used, there are degrees of variation in our tiles color, shade and texture. These differences are more pronounced in certain types of tiles than others, especially in tiles from separate production lots, or “batches”.

The following is a guide for the different degrees of variation that we have assigned our tiles:

COLOR VARIATION

- V1** low variation
- V2** slight variation
- V3** medium variation
- V4** heavy variation
- V5** extreme variation

TEXTURE VARIATION

- T1** smooth
- T2** light texture
- T3** medium texture
- T4** heavy texture

FLOOR RATING

Antique Terracotta tiles are rated III
(can be used for light residential to light commercial foot traffic)

- I** light residential
for residential areas with light foot traffic. examples can include bathroom, bedroom, formal dining and living rooms. please note the following:
 - not suitable for shoes with hard sole profiles (cleats, stilettos, etc.)
 - the floor must be kept clean from abrasive debris (gravel, mud, salt, etc.)
 - immediately clean all stains (food, personal and household care products, oils, paints, chemicals etc.)
- II** heavy residential
for residential areas with continuous foot traffic. examples can include entry, hallway, kitchen, foyer, laundry and mud rooms. please note the following:
 - the floor must be kept clean from abrasive debris (sand, gravel, mud, salt, etc.)
 - immediately clean all stains (food, personal and household care products, oils, paints, chemicals etc.)
- III** light commercial
for commercial areas with light foot traffic. examples can include commercial office, doctor’s office and boutique. please note the following:
 - the floor must be kept clean from abrasive debris (sand, gravel, mud, salt, etc.)
 - immediately clean all stains (food, personal and household care products, oils, paints, chemicals etc.)

IV heavy commercial

for commercial areas with continuous foot traffic. examples can include hotel lobby, retail, corridors in an office building, shopping mall and restaurant. please note the following:

- the floor must be kept clean from abrasive debris (sand, gravel, mud, salt, etc.)
- immediately clean all stains (food, personal and household care products, oils, paints, chemicals etc.)

V industrial

standard industrial floor use with no extreme, heavy breakage or spillage. examples can include restaurant kitchen, bar work area, winery production, exterior hotel entry, airport, car showroom, driveway. please note the following:

- the floor must be kept clean from abrasive debris (sand, gravel, mud, salt, etc.)
- immediately clean all stains (food, personal and household care products, oils, paints, chemicals etc.)