

| | | |
|--------------|--------------|---------------|
| PURCHASER | P.O. # | DATE |
| PROJECT | LOCATION | |
| ENGINEER | ARCHITECT | |
| SUBMITTED BY | FOR APPROVAL | FOR REFERENCE |

| ITEM | PLAN DESIGNATION | QUANTITY | COOLING BTU/H | VOLTAGE | FRIEDRICH MODEL |
|------|------------------|----------|---------------|---------|-----------------|
| | | | | | |
| | | | | | |
| | | | | | |
| | | | | | |
| | | | | | |

Features

- Precision Inverter® technology (variable speed compressor)
- Soft start compressor
- BLDC motor
- High efficiency for low operating cost
- DiamonBlue Advanced Corrosion Protection®
- Auto Clean indoor coil
- Cooling/Heating/Fan/Auto mode
- Surge Cool/Heat
- Natural air flow
- Ultra quiet operation
- Sleep mode
- Auto restart
- Auto changeover
- 24-hour on/off timer
- ENERGY STAR® qualified model
- Hidden display (only visible during operation)

OPERATION IN EXTREME CONDITIONS

- Low ambient operation down to 5° F (Cooling mode)
- Low ambient operation down to -4° F (Heating mode)



FPHFW18A3A, FPHFW24A3A, FPHSW36A3A,
 FPHFW18A3B, FPHFW24A3B, FPHSW36A3B

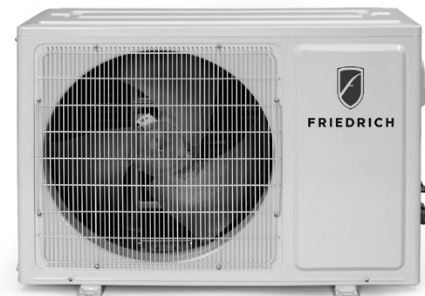


Built-in Wi-Fi for control anytime, anywhere

- Easy to use FriedrichGo™ app
- Control with smartphone
- Compatible with Amazon Alexa and Google Home



WIRELESS REMOTE CONTROL



SPECIFICATIONS

| PERFORMANCE RATINGS | | 230/208 volt models | | |
|--|------------|--------------------------|--------------------------|--------------------------|
| SYSTEM MODEL NO. | | FPHW183A | FPHW243A | FPHW363B |
| INDOOR MODEL | | FPHFW18A3B | FPHFW24A3B | FPHSW36A3C |
| OUTDOOR MODEL | | FPHSR18A3A | FPHSR24A3A | FPHSR36A3B |
| SPECIFICATIONS | | | | |
| CAPACITY COOLING (RATED) | Btu | 18000 | 23500 | 35000 |
| CAPACITY COOLING MIN - MAX | Btu | 6500-19500 | 8000-26500 | 12000-38000 |
| CAPACITY HEATING (RATED) @ 47°F | Btu | 19000 | 26000 | 35000 |
| CAPACITY HEATING (RATED) @ 17°F | Btu | 11600 | 14500 | TBD |
| CAPACITY HEATING MIN - MAX | Btu | 6500-20000 | 8000-26500 | 12000-38000 |
| SENSIBLE HEAT RATIO | | 80% | 76% | 79% |
| COP | | 3.40 | 3.05 | 3.05 |
| HSPF | | 11.6 | 10.5 | 8.8 |
| SEER | | 23.3 | 21.0 | 16.4 |
| EER | | 13.0 | 12.5 | 8.6 |
| ENERGY STAR | | YES | YES | — |
| MOISTURE REMOVAL | Pts/h | 3.2 | 5.1 | 6.8 |
| AIRFLOW (HIGH/MED/LOW/QUIET) | CFM | 618/565/482/382 | 735/665/559/441 | 1030/824/706/588 |
| SOUND RATING - INDOOR (HIGH/MED/LOW/QUIET) | dB-A | 45/41/37/34 | 47/42/36/33 | 50/45/40/38 |
| SOUND RATING - OUTDOOR | dB-A | 55 | 58 | 60 |
| OPERATING RANGE (HEATING) | °F | -4° - 75° | -4° - 75° | -4° - 75° |
| OPERATING RANGE (COOLING) | °F | 5° - 115° | 5° - 115° | 5° - 115° |
| EST. YEARLY OPERATING COST | U.S. \$ | \$124 | \$169 | \$290 |
| ELECTRICAL DATA | | | | |
| POWER SOURCE | V-Hz-Phase | 230/208-60-1 | 230/208-60-1 | 230/208-60-1 |
| MIN. AMPACITY | A | 15 | 20 | 30 |
| COOLING WATTS | W | 1385 | 1880 | 4186 |
| COOLING AMPS | | 6.3 | 8.3 | 18.5 |
| HEATING WATTS | W | 1638 | 2500 | 3459 |
| HEATING AMPS | | 7.2 | 11.1 | 16 |
| MAX. TD FUSE/BREAKER | A | 20 | 30 | 35 |
| POWER AND COMMUNICATION CABLE | No.x AWG | 4 x 14AWG | 4 x 14AWG | 4 x 14AWG |
| REFRIGERATION SYSTEM | | | | |
| REFRIGERANT | | R410a | R410a | R410a |
| COMPRESSOR TYPE | | Rotary | Rotary | Rotary |
| CONNECTIONS | | Flare | Flare | Flare |
| LIQUID LINE O.D. | in | 1/4 | 3/8 | 3/8 |
| SUCTION LINE O.D. | in | 1/2 | 5/8 | 5/8 |
| REFRIGERANT CHARGE | oz. | 54.7 | 66.3 | 81.2 |
| FACTORY PRECHARGE | ft. | 25 | 25 | 25 |
| MIN. / MAX. LINE LENGTH | ft | 10-66 | 10-66 | 10-66 |
| MAX. HEIGHT DIFFERENCE | ft | 33 | 33 | 33 |
| DIMENSIONS & WEIGHT | | | | |
| INDOOR UNIT | | | | |
| W x H x D | in | 45 1/8 x 13 1/8 x 10 | | 50 5/8 X 13 5/8 X 10 1/4 |
| NET WEIGHT | lbs | 33 | 33 | 40 |
| SHIPPING WEIGHT | lbs | 38.5 | 38.5 | 48 |
| OUTDOOR UNIT | | | | |
| W x H x D | in | 33 7/8 x 25 1/2 x 12 1/8 | 34 7/8 x 31 1/4 x 14 3/8 | 34 7/8 x 31 1/4 x 14 3/8 |
| NET WEIGHT | lbs | 99 | 123.5 | 141 |
| SHIPPING WEIGHT | lbs | 108 | 141 | 152 |
| TOTAL NET WEIGHT | lbs | 132 | 156.5 | 181 |
| TOTAL SHIPPING WEIGHT | lbs | 146.5 | 179.5 | 200 |

Your operating costs will depend on your utility rates and use. The estimated operating cost is based on a electricity cost of \$.12 per kWh.

For more information, visit www.ftc.gov/energy.

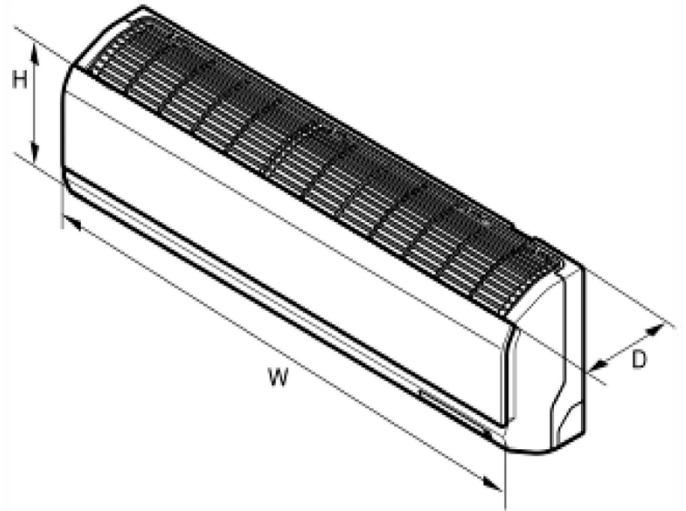
Due to continuing research in new energy-saving technology, specifications are subject to change without notice.



DIMENSIONAL DRAWINGS

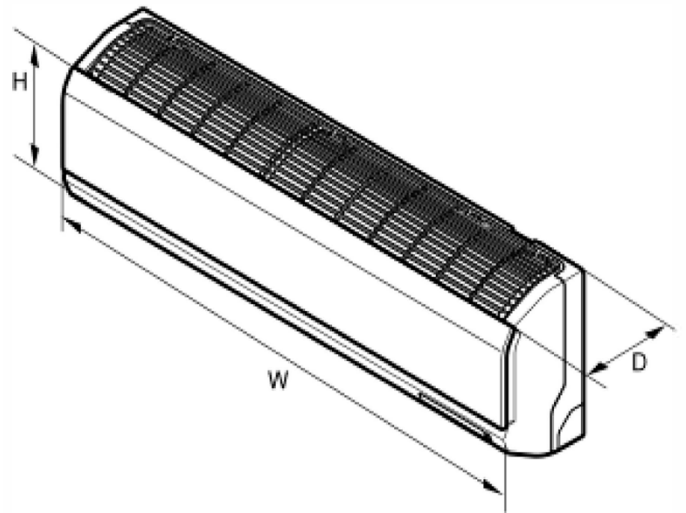
INDOOR UNIT / FPHFW18A3B

| | W | H | D |
|------------|---------|---------|-----|
| FPHFW18A3B | 45 1/8" | 13 1/8" | 10" |



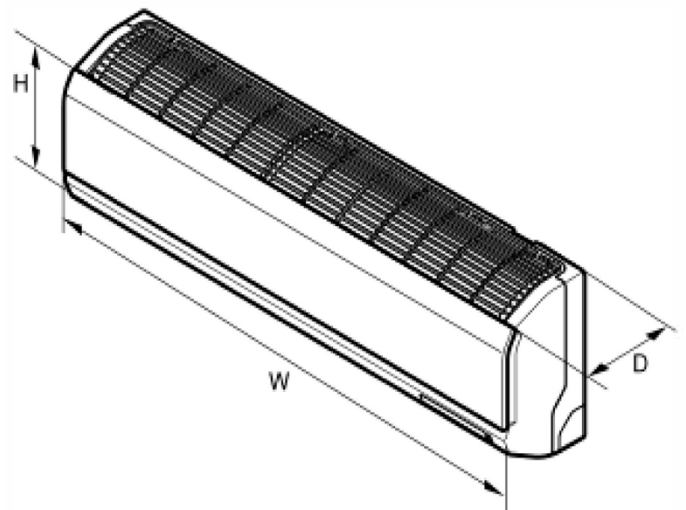
INDOOR UNIT / FPHFW24A3B

| | W | H | D |
|------------|---------|---------|-----|
| FPHFW24A3B | 45 1/8" | 13 1/8" | 10" |



INDOOR UNIT / FPHSW36A3B

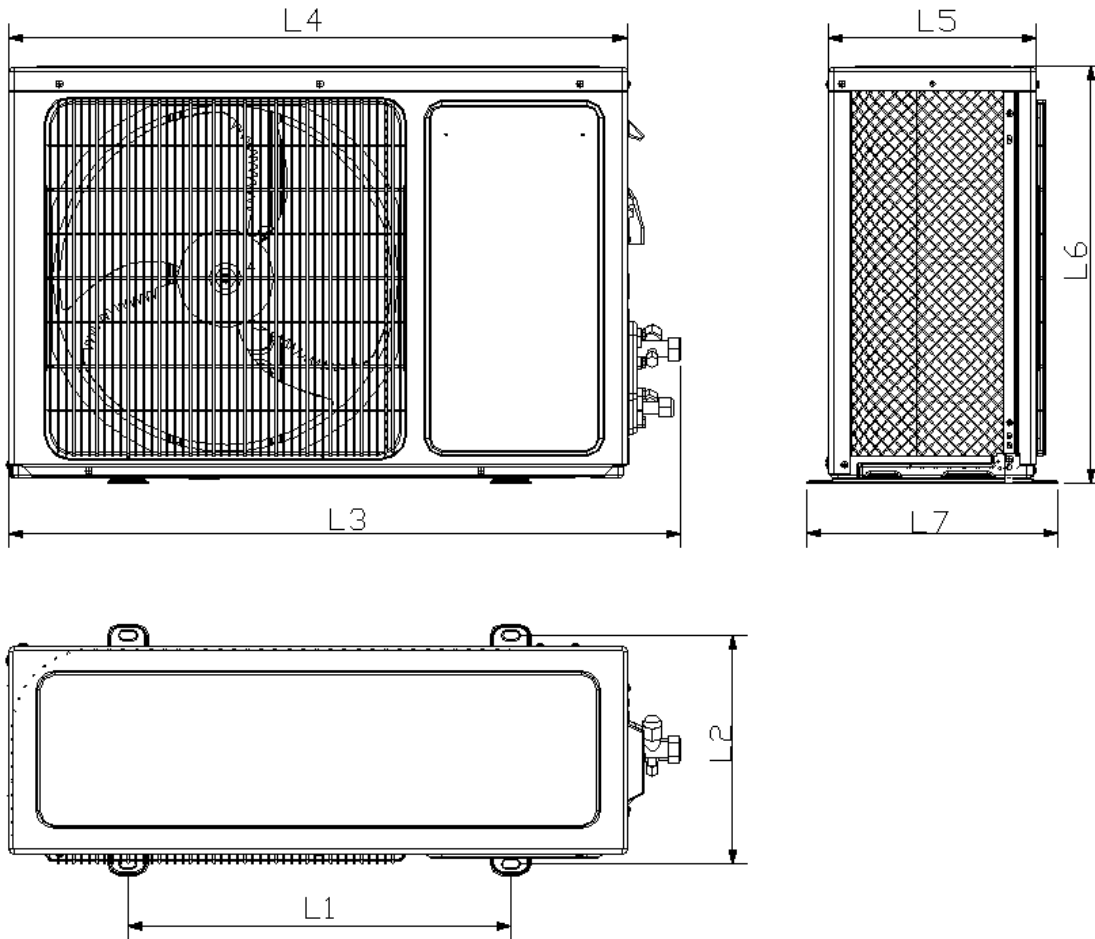
| | W | H | D |
|------------|---------|---------|---------|
| FPHSW36A3B | 50 5/8" | 13 5/8" | 10 1/4" |



DIMENSIONAL DRAWINGS

OUTDOOR UNITS / FPHSR18A3A, FPHSR24A3A, FPHSR36A3A

Outdoor units:



| | | | | Width | Depth | Height | |
|------------|-------------|-------------|-------------|-------------|-------------|-------------|-------------|
| Model | L1 (in.) | L2 (in.) | L3 (in.) | L4 (in.) | L5 (in.) | L6 (in.) | L7 (in.) |
| FPHSR18A3A | 21 11/32 | 12 19/32 | 34 7/8 | 33 7/8 | 12 1/8 | 25 1/2 | 13 |
| FPHSR24A3A | 26 | 12 19/32 | 37 3/4 | 34 7/8 | 14 3/8 | 31 1/4 | 16 5/16 |
| FPHSR36A3A | 26 | 12 19/32 | 37 3/4 | 34 7/8 | 14 3/8 | 31 1/4 | 16 5/16 |

ACCESSORIES

REFRIGERATION LINE SETS* (Required accessory)

| Kit# | Length (ft.) | Liquid | Suction | System Model |
|--------|--------------|--------|---------|--------------|
| T42150 | 15' | 1/4" | 1/2" | FPHW183A |
| T42350 | 35' | 1/4" | 1/2" | |
| T53150 | 15' | 3/8" | 5/8" | FPHW243A |
| T53350 | 35' | 1/4" | 1/2" | |
| T63150 | 15' | 3/8" | 5/8" | FPHW363A |
| T63350 | 35' | 3/8" | 3/4" | |

*Insulated line sets are available for all Friedrich split systems in 15 ft. and 35 ft. lengths. Each line set is equipped with flare nuts on both ends. Both liquid and suction lines are insulated. Line sets can be joined together with field supplied double male connectors. Each system requires one line set for each indoor unit installed.

REFRIGERATION LINE SETS MIN./MAX. LENGTHS

| Floating Air® Pro | | |
|-------------------|------------|------------|
| System Model | Min. (ft.) | Max. (ft.) |
| FPHW183A | 10 | 66 |
| FPHW243A | 10 | 66 |
| FPHW363A | 10 | 66 |

TORQUE WRENCH SETTINGS

| Outside Diameter | | Torque | |
|------------------|------|---------|-------------|
| mm | inch | ft-lbs. | N·m |
| 6.35 | 1/4 | 13 – 18 | 17.6 – 24.5 |
| 9.52 | 3/8 | 25 – 30 | 33.3 – 41.2 |
| 12.7 | 1/2 | 40 – 47 | 53.9 – 64.7 |
| 15.88 | 5/8 | 45 – 59 | 61.7 – 80.4 |

WALL CONTROLLER



FPMC1 Optional wired wall controller