

PURCHASER	P.O. #	DATE
PROJECT	LOCATION	
ENGINEER	ARCHITECT	
SUBMITTED BY	FOR APPROVAL	FOR REFERENCE

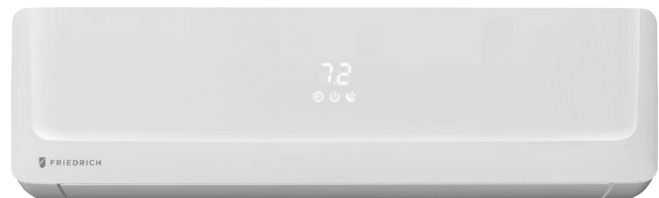
ITEM	PLAN DESIGNATION	QUANTITY	COOLING BTU/H	VOLTAGE	FRIEDRICH MODEL

## Features

- 115V Single Zone Heat Pump
- Precision Inverter® technology (variable speed compressor)
- Soft start compressor
- BLDC motor
- High efficiency for low operating cost
- DiamonBlue Advanced Corrosion Protection®
- Auto Clean indoor coil
- Cooling/Heating/Fan/Auto mode
- Surge Cool/Heat
- Natural air flow
- Ultra quiet operation
- Sleep mode
- Auto restart
- Auto changeover
- 24-hour on/off timer
- ENERGY STAR® qualified model
- Hidden display (only visible during operation)

### OPERATION IN EXTREME CONDITIONS

- Low ambient operation down to 5° F (Cooling mode)
- Low ambient operation down to -4° F (Heating mode)



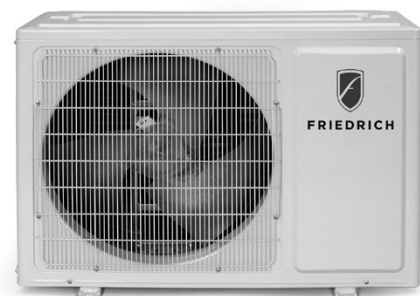
**Wi-Fi**

**Built-in Wi-Fi for control anytime, anywhere**

- Easy to use FriedrichGo™ app
- Control with smartphone
- Compatible with Amazon Alexa and Google Home



WIRELESS  
REMOTE CONTROL



# SPECIFICATIONS

PERFORMANCE RATINGS		115 volt models		230/208 volt models	
SYSTEM MODEL NO.		FPHW091A	FPHW121A	FPHW093A	FPHW123A
INDOOR MODEL		FPHSW09A1B	FPHSW12A1B	FPHFW09A3B	FPHFW12A3B
OUTDOOR MODEL		FPHSR09A1A	FPHSR12A1A	FPHSR09A3A	FPHSR12A3A
SPECIFICATIONS					
CAPACITY COOLING (RATED)	Btu	9000	12000	9000	12000
CAPACITY COOLING MIN - MAX	Btu	3600-10000	4000-13500	3600-10000	4000-13500
CAPACITY HEATING (RATED) @ 47°F	Btu	9500	13000	9500	13000
CAPACITY HEATING (RATED) @ 17°F	Btu	5000	7500	5000	7500
CAPACITY HEATING MIN - MAX	Btu	3600-10500	4000-14000	3600-10500	4000-14000
SENSIBLE HEAT RATIO		76%	77%	76%	77%
COP		3.56	3.46	3.88	3.42
HSPF		10.0	10.5	10.7	10.5
SEER		19.5	22.0	22.5	22.0
EER		12.8	13.0	13.7	13.0
ENERGY STAR		YES	YES	YES	YES
MOISTURE REMOVAL	Pts/h	1.9	2.5	1.9	2.5
AIRFLOW (HIGH/MED/LOW/QUIET)	CFM	424/382/323/247	424/382/323/247	424/382/323/247	424/382/323/247
SOUND RATING - INDOOR (HIGH/MED/LOW/QUIET)	dB-A	39/32/29/26	39/32/29/26	39/32/29/26	39/32/29/26
SOUND RATING - OUTDOOR	dB-A	53	53	53	53
OPERATING RANGE (HEATING)	°F	(-4° - 75°)	(-4° - 75°)	(-4° - 75°)	(-4° - 75°)
OPERATING RANGE (COOLING)	°F	(5° - 115°)	(5° - 115°)	(5° - 115°)	(5° - 115°)
EST. YEARLY OPERATING COST	U.S. \$	\$61	\$72	\$53	\$83
ELECTRICAL DATA					
POWER SOURCE	V-Hz-Phase	115-60-1	115-60-1	230/208-60-1	230/208-60-1
MIN. AMPACITY	A	13.5	16.5	10	10
COOLING WATTS	W	700	950	655	960
COOLING AMPS		6.3	8.3	2.9	4.3
HEATING WATTS	W	780	1100	720	1110
HEATING AMPS		7.0	9.7	3.1	5.0
MAX. TD FUSE/BREAKER	A	20	25	15	15
POWER AND COMMUNICATION CABLE	No. x AWG	4 x 14AWG	4 x 14AWG	4 x 14AWG	4 x 14AWG
REFRIGERATION SYSTEM					
REFRIGERANT		R410a	R410a	R410a	R410a
COMPRESSOR TYPE		Rotary	Rotary	Rotary	Rotary
CONNECTIONS		Flare	Flare	Flare	Flare
LIQUID LINE O.D.	in	1/4	1/4	1/4	1/4
SUCTION LINE O.D.	in	3/8	3/8	3/8	3/8
REFRIGERANT CHARGE	oz.	33.5	40.9	33.5	40.9
FACTORY PRECHARGE	ft.	25	25	25	25
MIN. / MAX. LINE LENGTH	ft	9.8-50	9.8-50	9.8-50	9.8-50
MAX. HEIGHT DIFFERENCE	ft	33	33	33	33
DIMENSIONS & WEIGHT					
INDOOR UNIT					
W x H x D	in	33 7/8 x 11 1/8 x 8 1/2		33 7/8 x 11 1/8 x 8 1/2	
NET WEIGHT	lbs	20	20	20	20
SHIPPING WEIGHT	lbs	24.25	24.25	24.25	24.25
OUTDOOR UNIT					
W x H x D	in	28 1/8 x 19 x 9 1/2	31 7/8 x 23 x 11	28 1/8 x 19 x 9 1/2	31 7/8 x 23 x 11
NET WEIGHT	lbs	65	78	59.5	72.5
SHIPPING WEIGHT	lbs	68	82.5	65	79
TOTAL NET WEIGHT	lbs	85	98	79.5	92.5
TOTAL SHIPPING WEIGHT	lbs	92.25	106.75	89.25	103.25

Your operating costs will depend on your utility rates and use. The estimated operating cost is based on a electricity cost of \$ .12 per kWh.

For more information, visit [www.ftc.gov/energy](http://www.ftc.gov/energy).

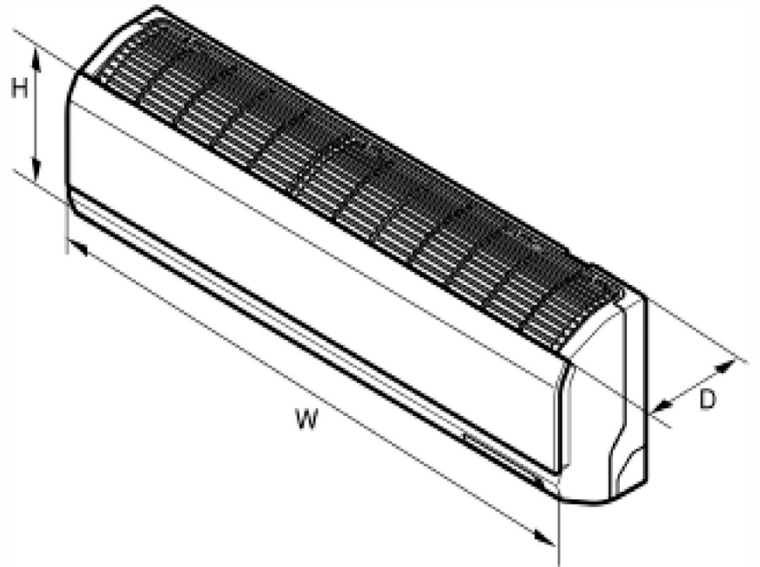
Due to continuing research in new energy-saving technology, specifications are subject to change without notice.



**DIMENSIONAL DRAWINGS**  
**INDOOR UNIT / FRHSW09A1B**

---

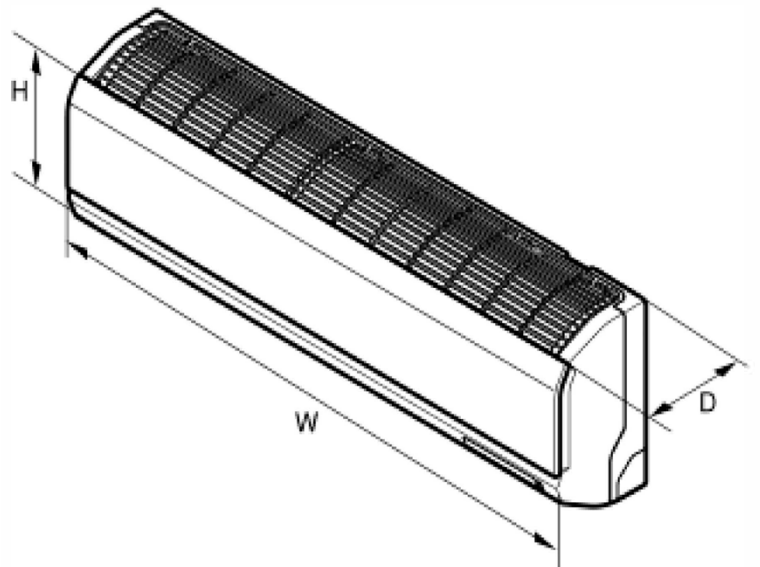
	W	H	D
FRHSW09A1B	33 7/8"	11 3/16"	8 1/2"



**INDOOR UNIT / FRHSW12A1B**

---

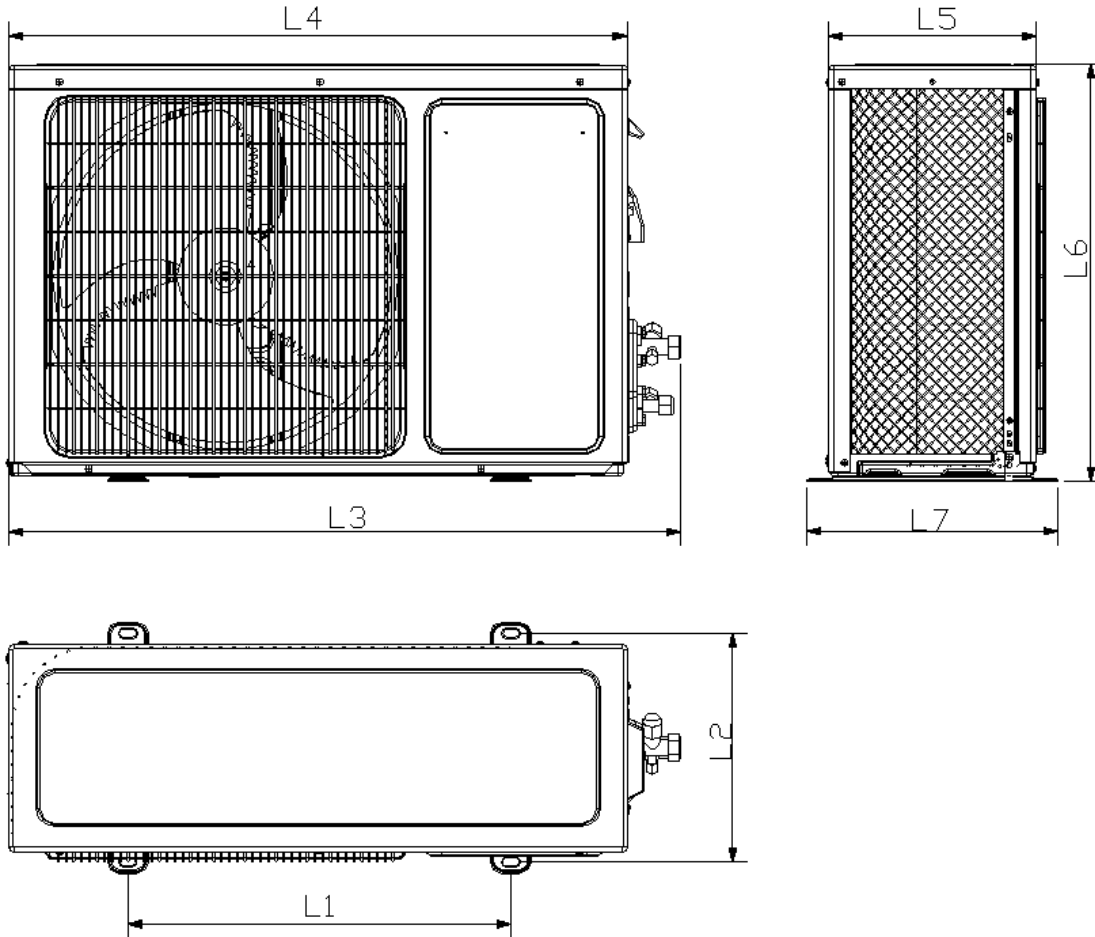
	W	H	D
FRHSW12A1B	33 7/8"	11 3/16"	8 1/2"



**DIMENSIONAL DRAWINGS**

**OUTDOOR UNITS / FRHSR09A1A, FRSHR12A1A**

**Outdoor units:**



				Width	Depth	Height	
Model	L1 (in.)	L2 (in.)	L3 (in.)	L4 (in.)	L5 (in.)	L6 (in.)	L7 (in.)
FPHSR09A1A	17 7/16	10 3/8	30 9/16	28 1/8	9 7/16	19	11 13/32
FPHSR12A1A	20 1/16	12 19/32	34 7/8	31 7/8	11	23	13

## ACCESSORIES

### REFRIGERATION LINE SETS\* (Required accessory)

Kit#	Length (ft.)	Liquid	Suction	System Model
T32150	15'	1/4"	3/8"	FPHW091A
T32350	35'	1/4"	3/8"	FPHW121A

\*Insulated line sets are available for all Friedrich split systems in 15 ft. and 35 ft. lengths. Each line set is equipped with flare nuts on both ends. Both liquid and suction lines are insulated. Line sets can be joined together with field supplied double male connectors. Each system requires one line set for each indoor unit installed.

### REFRIGERATION LINE SETS MIN./MAX. LENGTHS

Floating Air® Pro		
System Model	Min. (ft.)	Max. (ft.)
FRHW091A	10	50
FRHW121A	10	50

### TORQUE WRENCH SETTINGS

Outside Diameter		Torque	
mm	inch	ft-lbs.	N·m
6.35	1/4	13 – 18	17.6 – 24.5
9.52	3/8	25 – 30	33.3 – 41.2
12.7	1/2	40 – 47	53.9 – 64.7
15.88	5/8	45 – 59	61.7 – 80.4

### WALL CONTROLLER



FPWC1 Optional wired wall controller