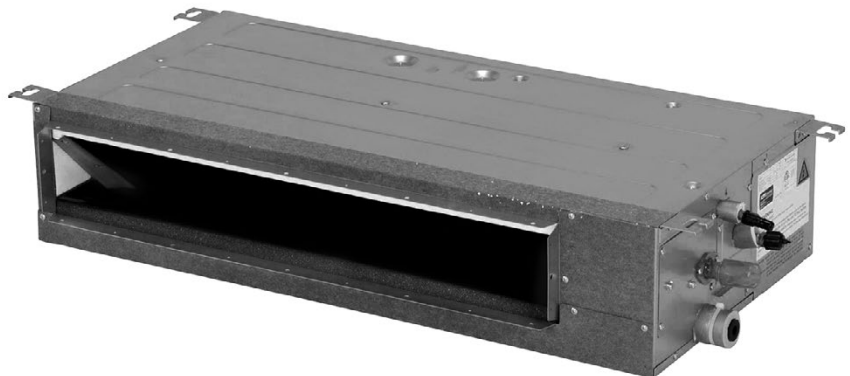


PURCHASER	P.O. #	DATE
PROJECT	LOCATION	
ENGINEER	ARCHITECT	
SUBMITTED BY	FOR APPROVAL	FOR REFERENCE

ITEM	PLAN DESIGNATION	QUANTITY	COOLING BTU/H	VOLTAGE	FRIEDRICH MODEL

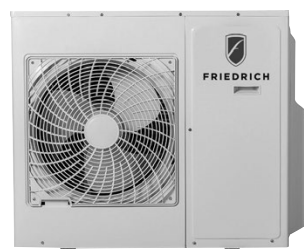
## FEATURES

- Precision Inverter® technology (variable speed compressor)
- Soft start compressor
- BLDC Motor
- Cooling/Heating/Fan mode
- Dry Mode
- 3 Fan speeds
- Auto restart
- Auto changeover
- Diamonblue Advanced Corrosion Protection®
- Control lock function on controller
- External Static Pressure Range (ESP)
  - 9K/12K/18K (0 - 0.40) WC
  - 24K (0 - 0.40) WC



## OPERATION IN EXTREME CONDITIONS

- Low ambient operation down to 14° F (Cooling mode)
- Low ambient operation down to -13° F (Heating mode)
- Low temperature compressor start-up protection



FPHMR18A3A , FPHMR24A3A



FPHMR36A3A

## SPECIFICATIONS

PERFORMANCE RATINGS		Multi Zone - The Insider® Concealed Ducted Heat Pumps			
		9k	12k	18k	24k
INDOOR MODEL		FPHFD09A3A	FPHFD12A3A	FPHFD18A3A	FPHFD24A3A
<b>SPECIFICATIONS</b>					
CAPACITY COOLING (RATED)	Btu	9000	12000	18000	24000
CAPACITY HEATING (RATED)	Btu	9000	12000	18000	24000
MOISTURE REMOVAL	Pts/h	2.0	3.0	5.0	5.1
AIRFLOW	CFM	235/285/309	235/285/338	370/440/529	501/574/647
SOUND RATING (MAX.-MIN.)	dB-A	29/27/26	36/33/30	38/35/33	38/36/34
<b>ELECTRICAL DATA</b>					
POWER SOURCE	V-Hz-Phase	230/208-60-1	230/208-60-1	230/208-60-1	230/208-60-1
POWER AND COMMUNICATION CABLE	No. x AWG	4 x 14AWG	4 x 14AWG	4 x 14AWG	4 x 14AWG
<b>REFRIGERATION SYSTEM</b>					
CONNECTIONS		Flare	Flare	Flare	Flare
LIQUID LINE O.D.	in	1/4	1/4	1/4	3/8
SUCTION LINE O.D.	in	3/8	3/8	1/2	5/8
<b>DIMENSIONS &amp; WEIGHT</b>					
W X H X D	in	35 7/8 x 7 1/2 x 17 5/8		48 7/16 x 7 1/2 x 17 5/8	39 x 10 5/8 x 30
NET WEIGHT	lbs	39.7	39.7	49.6	70.5
SHIPPING WEIGHT	lbs	46.3	47.4	56.2	81.6

PERFORMANCE RATINGS		Multi Outdoor			
		18k	24k	36k	42K
OUTDOOR MODEL		FPHMR18A3A	FPHMR24A3A	FPHMR36A3A	FPHMR42A3A
<b>SPECIFICATIONS</b>					
POWER SOURCE		208-230/60/1	208-230/60/1	208-230/60/1	208-230/60/1
EST. YEARLY OPERATING COST	\$	\$90	\$172	\$259	\$277
RUNNING CURRENT COOLING RATED	A	6.5	8.7	11	17.5
RUNNING CURRENT HEATING RATED	A	7.3	8.7	13	17
POWER INPUT COOLING MIN. - RATED - MAX.	W	1440 [510-2610]	1920 [420-2640]	2520 [700-5000]	4020 [700-5000]
POWER INPUT HEATING MIN. - RATED - MAX.	W	1530 [450-3510]	1920 [420-4020]	3060 [600-6000]	3870 [600-6000]
POWER AND COMMUNICATION CABLE	No. x AWG	4 x 14AWG	4 x 14AWG	4 x 14AWG	4 x 14AWG
DIMENSIONS W x H x D	in	33 7/8 x 26 3/8 x 12 1/4	37 3/8 x 33 x 13 3/8	37 3/8 x 41 3/8 x 13 3/8	37 3/8 x 41 3/8 x 13 3/8
NET WEIGHT	lbs	108	159	186	196
SHIPPING WEIGHT	lbs	119	170	216	225
<b>REFRIGERATION SYSTEM</b>					
REFRIGERANT		R410A	R410A	R410A	R410A
FACTORY PRECHARGE	oz	63	81	106	120
FACTORY PRECHARGE	ft	50	75	100	125
LIQUID LINE O.D.	in	1/4	1/4	1/4	1/4
SUCTION LINE O.D.	in	3/8	3/8	3/8	3/8
MIN./MAX. LINE LENGTH (EACH)	ft	25/82	25/66	25/66	25/66
LINE LENGTH (TOTAL)	ft	164	197	197	262
MAX. HEIGHT DIFFERENCE	ft	49	49	49	49
SOUND PRESSURE LEVEL COOLING	dB	55	59	59	59
SOUND PRESSURE LEVEL HEATING	A	55	59	59	59
OPERATING RANGE COOLING	°F DB	14-115	14-115	14-115	14-115
OPERATING RANGE HEATING	°F WB	-13-75	-13-75	-13-75	4-75
MINIMUM AMPACITY	A	21A	25A	32A	35A
MAX. TD FUSE/BREAKER	A	30A	30A	50A	50A

Your operating costs will depend on your utility rates and use. The estimated operating cost is based on a electricity cost of \$ .12 per kWh. For more information, visit [www.ftc.gov/energy](http://www.ftc.gov/energy).

Due to continuing research in new energy-saving technology, specifications are subject to change without notice.



## MULTI ZONE CONFIGURATION, AHRI RATINGS

Friedrich Model	AHRI Reference Number	Indoor Type	System Capacity	EER	SEER	High Heat		Low Heat
						47 °F	HSPF	17°F
FPHMR18A3A	205150429	Non-ducted Indoor Units	18000	12.50	22.00	18000	11.00	12200
	205150428	Ducted Indoor Units	18000	11.50	19.00	18000	9.60	12200
	205150430	Mixed Ducted and Non-ducted Indoor Units	18000	12.00	20.50	18000	10.30	12200
FPHMR24A3A	204101246	Non-ducted Indoor Units	24000	12.50	22.00	24000	11.00	15400
	204005731	Ducted Indoor Units	24000	12.10	21.00	24000	10.00	15400
	203999079	Mixed Ducted and Non-ducted Indoor Units	24000	12.30	21.50	24000	10.50	15400
FPHMR36A3A	204101247	Non-ducted Indoor Units	32000	12.50	21.00	36000	11.00	23200
	203996910	Ducted Indoor Units	32000	12.00	19.50	36000	10.80	22600
	203999080	Mixed Ducted and Non-ducted Indoor Units	32000	12.25	20.25	36000	10.90	22600
FPHMR42A3A	205141512	Non-ducted Indoor Units	42000	10.50	20.00	42000	10.00	24000
	205141511	Ducted Indoor Units	41000	10.00	18.00	42000	9.50	24000
	205141513	Mixed Ducted and Non-ducted Indoor Units	41500	10.25	19.00	42000	9.75	24000

## MULTI ZONE CONFIGURATION GUIDELINES

### FPHMR18A3A 24,000 Btu MAX. CONNECTED CAPACITY DUAL ZONE ONLY

**FOR (2) ZONES:**  
MINIMUM combination must be 50% of nameplate capacity

**Combinations SHOULD NOT:**  
Exceed the maximum allowable total indoor unit connected capacity of 24,000 Btu.

### FPHMR24A3A 36,000 Btu MAX. CONNECTED CAPACITY TRI-ZONE MAX.

**FOR (2) ZONES:**  
MINIMUM combination must be 50% of nameplate capacity

**FOR (3) ZONES:**  
Select any combination of (3) indoor units.

**Combinations SHOULD NOT:**  
Exceed the maximum allowable total indoor unit connected capacity of 36,000 Btu.

### FPHMR36A3A 48,000 Btu MAX. CONNECTED CAPACITY TRI-ZONE / FOUR ZONE ONLY.

**FOR (3) ZONES:**  
Select any combination of (3) indoor units with no more than (2) 18,000 Btu indoor units plus (1) other indoor unit.

**FOR (4) ZONES:**  
Select any combination of (4) indoor units.

**Combinations SHOULD NOT:**  
Exceed the maximum allowable total indoor unit connected capacity of 48,000 Btu.

### FPHMR42A3A 54,000 Btu MAX. CONNECTED CAPACITY TRI-ZONE / FOUR / FIVE ZONE WITH NO BRANCH BOXES

**FOR (3) ZONES:**  
Select any combination of (3) indoor units with no more than (2) 18,000 Btu indoor units plus (1) other indoor unit.

**FOR (4) ZONES:**  
Select any combination of (4) indoor units.

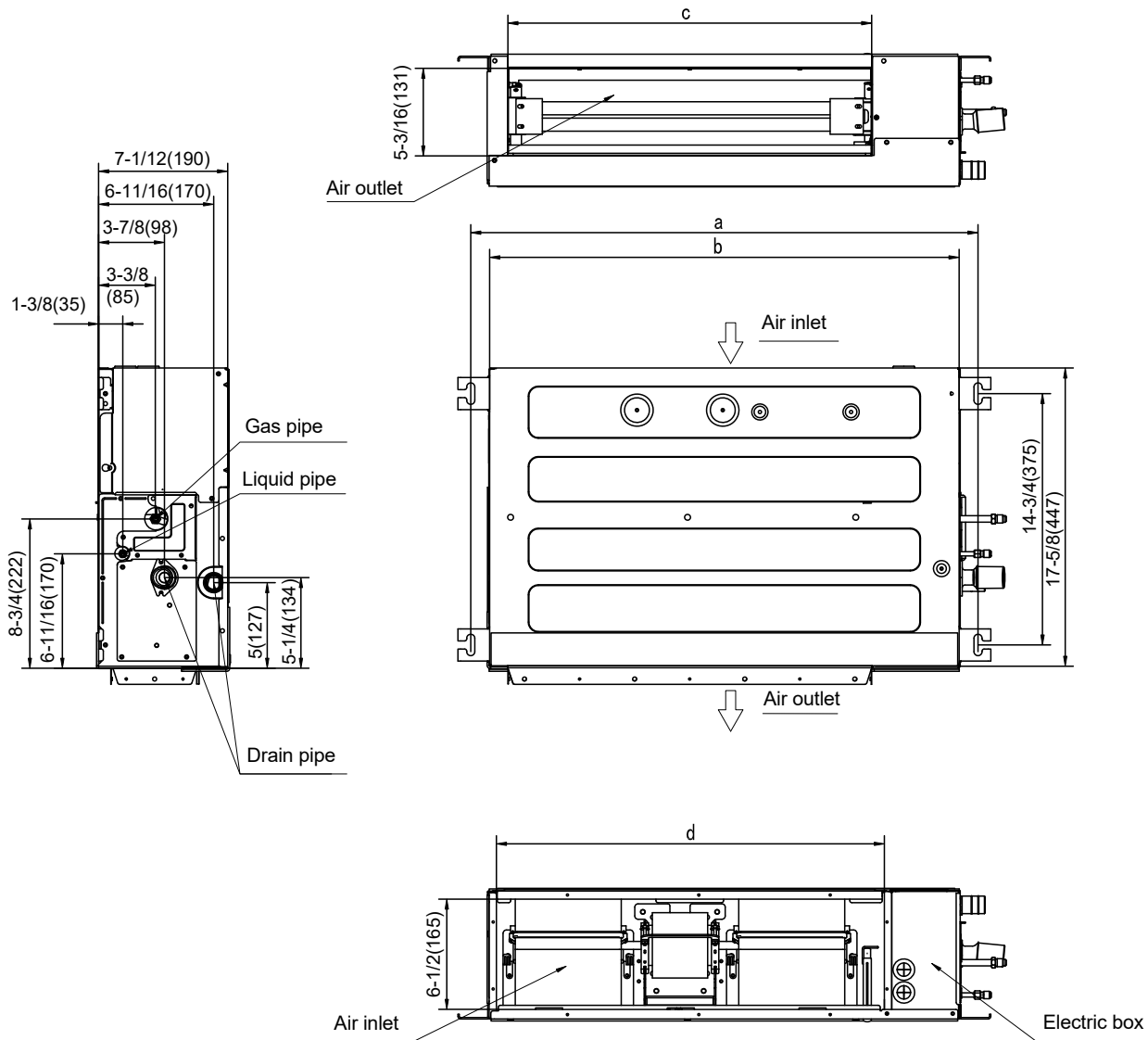
**FOR (5) ZONES:**  
Select any combination of (5) indoor units.

**Combinations SHOULD NOT:**  
Exceed the maximum allowable total indoor unit connected capacity of 54,000 Btu.

# DIMENSIONAL DRAWINGS

## INDOOR UNIT / FPHFD09A3A, FPHFD12A3A,

	W	H	D
FPHFD09A3A (B)	35 7/8"	7 1/2"	17 5/8"
FPHFD12A3A (B)			

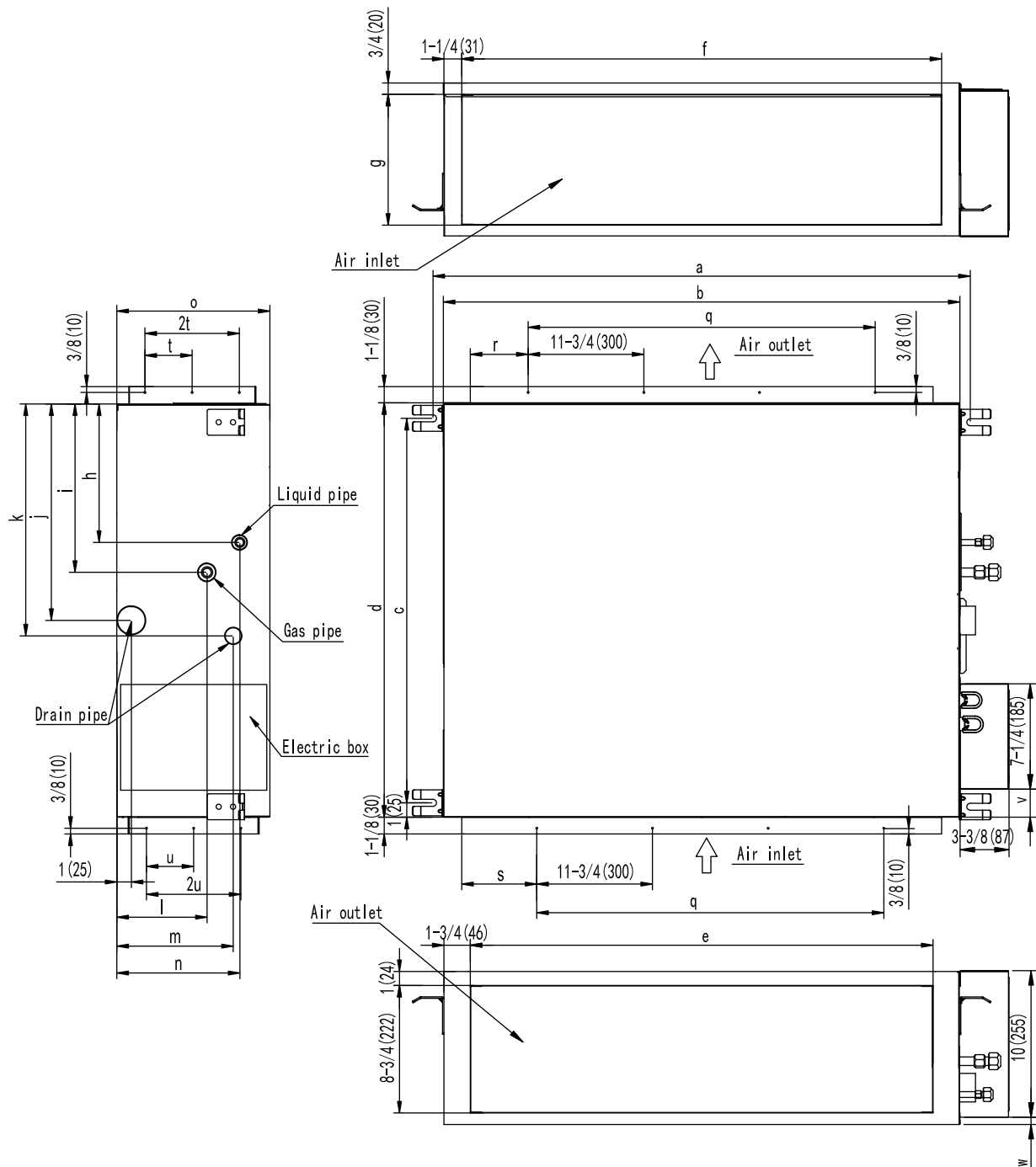


Model	a	b	c	d
FPHFD09A3A (B)	37-3/16	35-13/16	29-1/2	30
FPHFD12A3A (B)	(961)	(910)	(749)	(786)

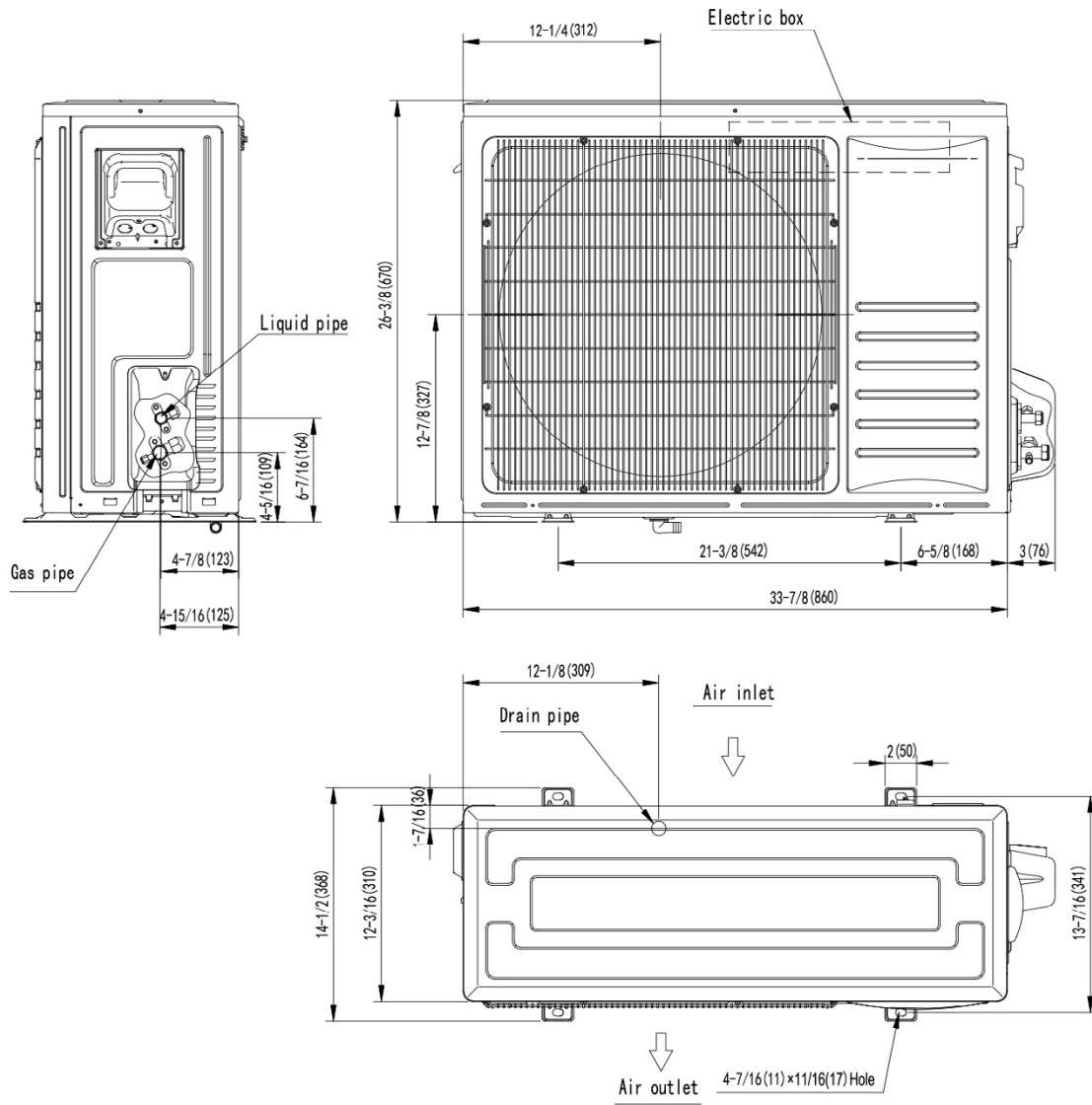
**INDOOR UNIT / FPHFD18A3A, FPHFD24A3A**

	W	H	D
FPHFD18A3A	48 7/16"	7 1/2"	17 5/8"

	W	H	D
FPHFD24A3A	55 7/8"	10 5/8"	31 1/2"

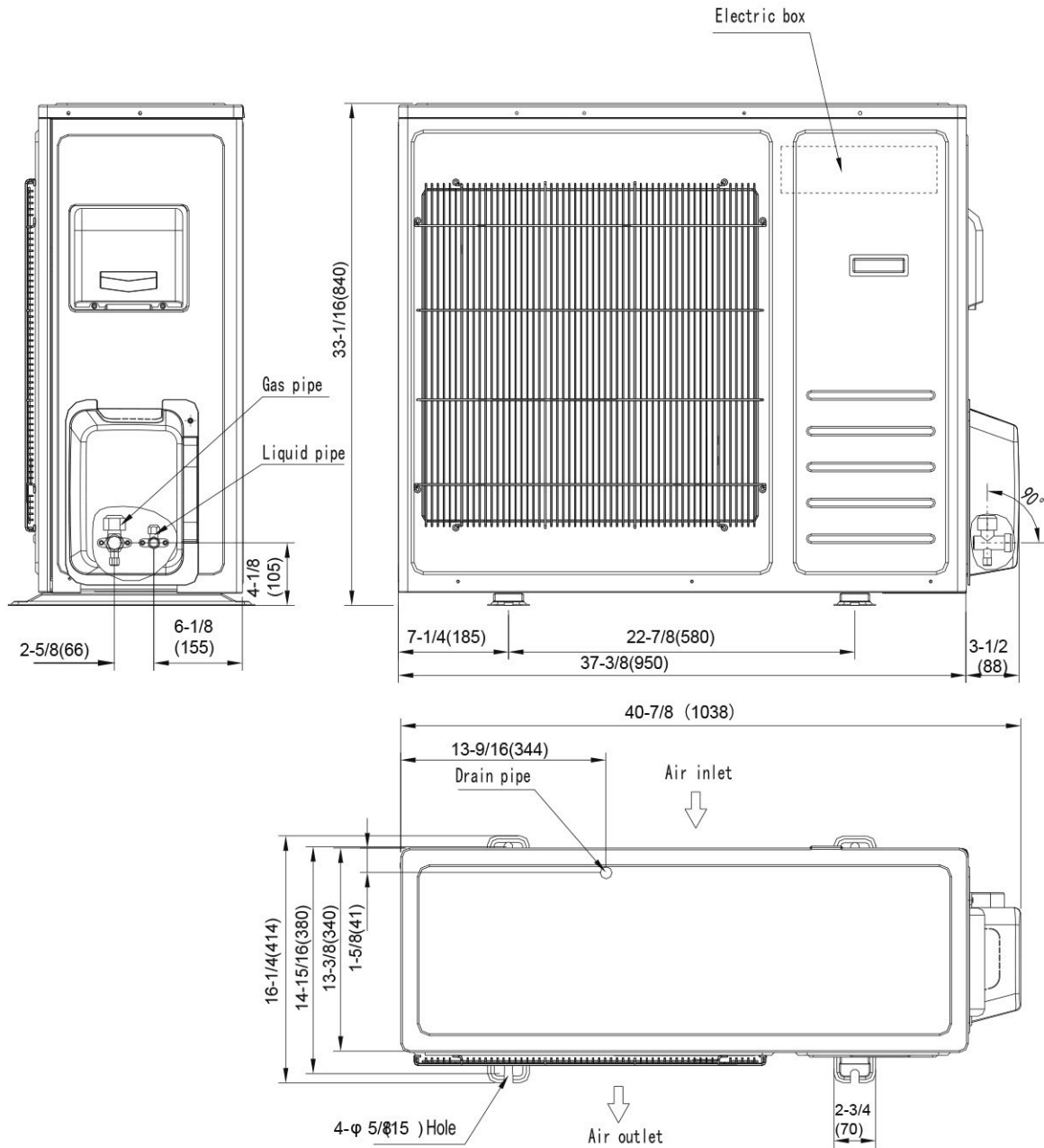


**DIMENSIONAL DRAWINGS**  
**OUTDOOR UNITS / FPHMR18A3A**



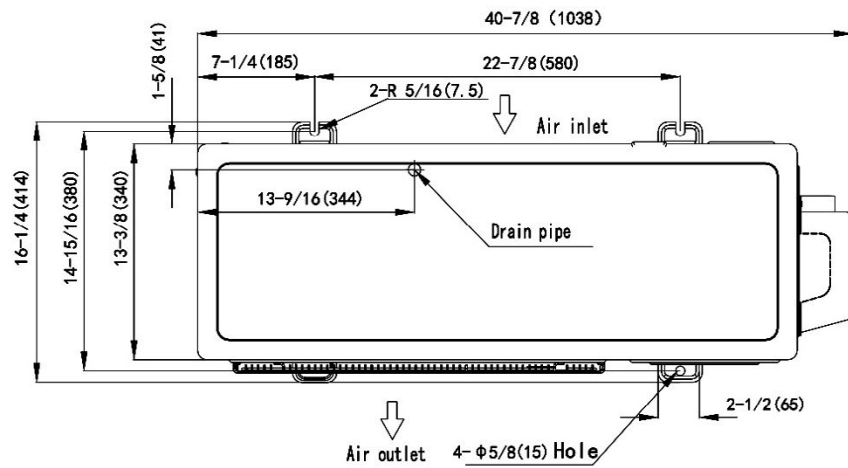
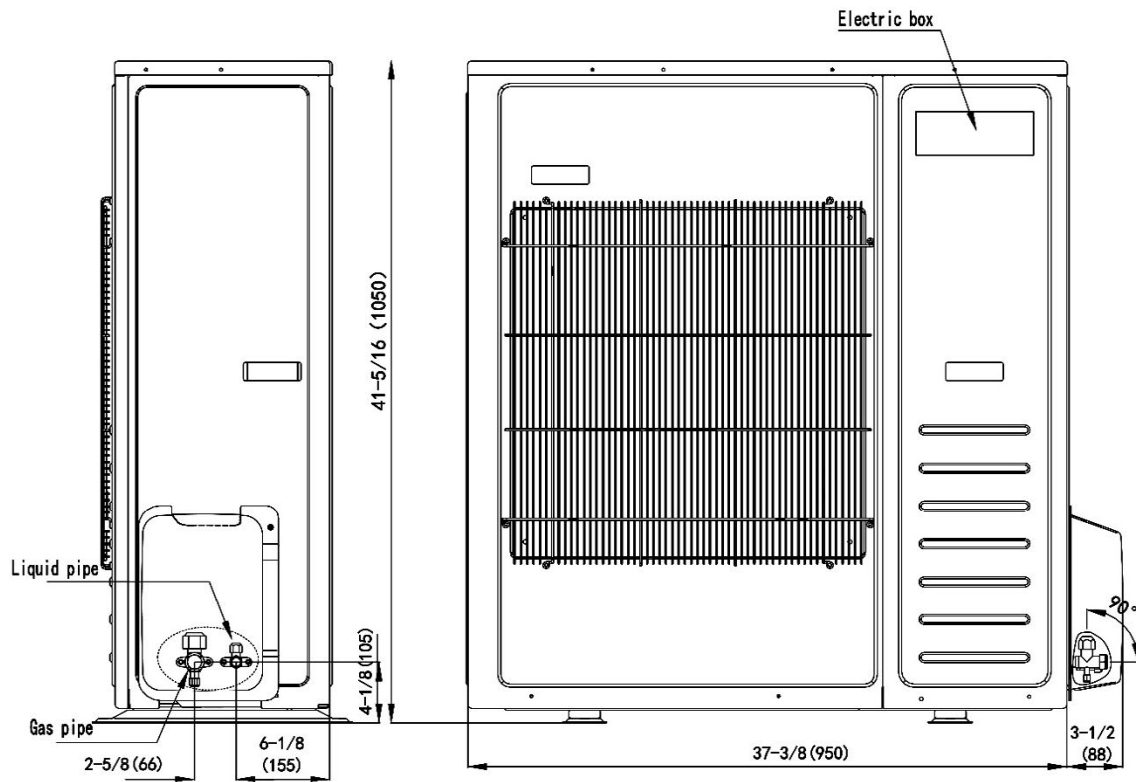
	Width		Depth		Height		
Model	L1 (in.)	L2 (in.)	L3 (in.)	L4 (in.)	L5 (in.)	L6 (in.)	L7 (in.)
FPHMR18A3A	21 11/32	12 19/32	34 7/8	33 7/8	12 1/4	26 3/8	13

**DIMENSIONAL DRAWINGS**  
**OUTDOOR UNITS / FPHMR24A3A**



	Width		Depth		Height		
Model	L1 (in.)	L2 (in.)	L3 (in.)	L4 (in.)	L5 (in.)	L6 (in.)	L7 (in.)
FPHMR24A3A	26	12 19/32	37 3/4	37 3/8	13 3/8	33	16 5/16

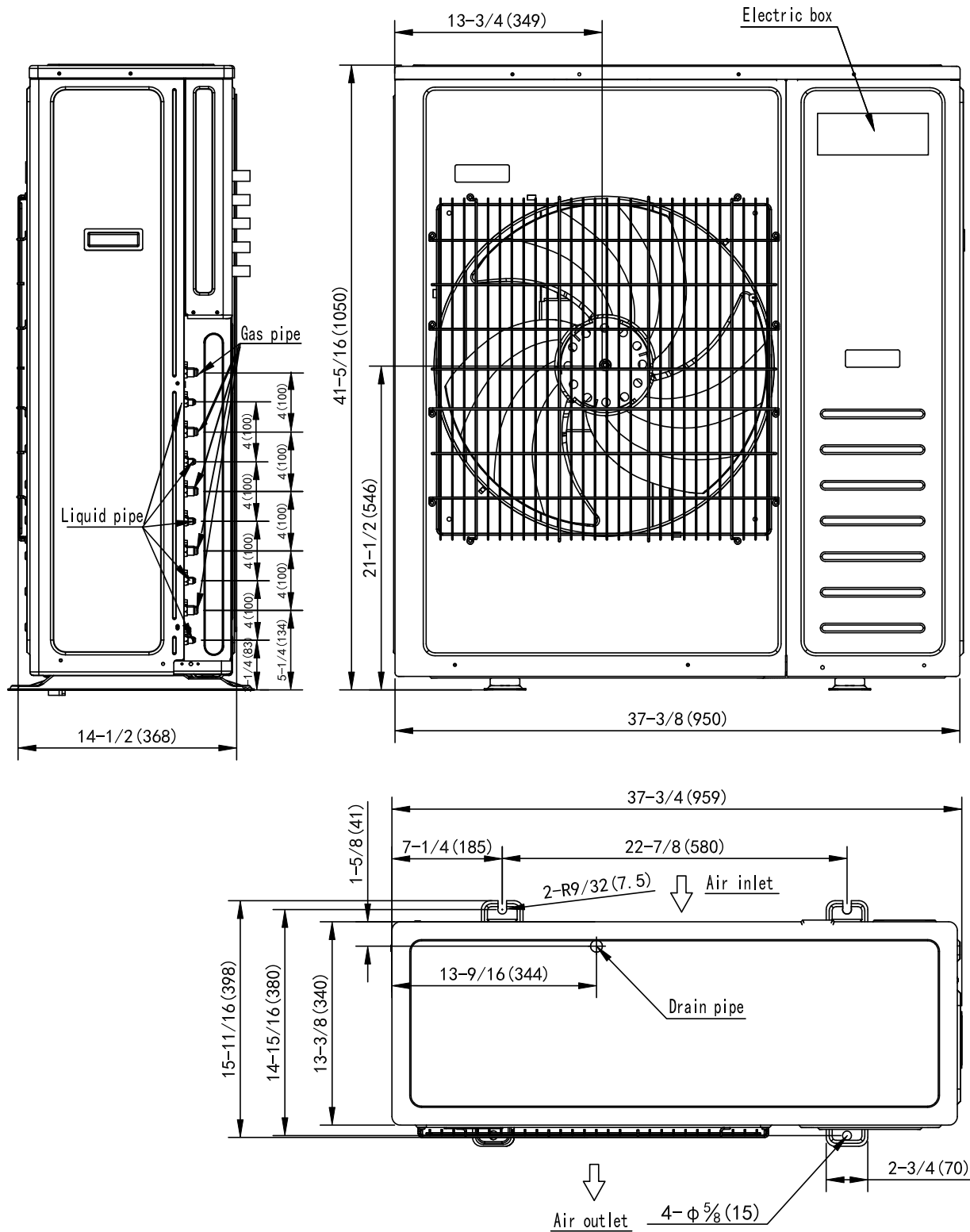
**DIMENSIONAL DRAWINGS**  
**OUTDOOR UNITS / FPHMR368A3A**



		Width	Depth	Height			
Model	L1 (in.)	L2 (in.)	L3 (in.)	L4 (in.)	L5 (in.)	L6 (in.)	L7 (in.)
FPHMR36A3A	21 11/32	12 19/32	34 7/8	37 3/8	13 3/8	41 3/8	13



**DIMENSIONAL DRAWINGS**  
**OUTDOOR UNITS / FPHMR42A3A**



## ACCESSORIES

### REFRIGERATION LINE SETS (REQUIRED) OUTSIDE DIMENSIONS

Floating Air® Pro Multizone Outdoor				
SYSTEM MODEL	Liquid	Suction	15' Lineset Kit	35' Lineset Kit
FPHMR18A3A	1/4	3/8	T32150	T32350
FPHMR24A3A	1/4	3/8	T32150	T32350
FPHMR36A3A	1/4	3/8	T32150	T32350
FPHMR42A3A	1/4	3/8	T32150	T32350

\*Insulated line sets are available for all Friedrich split systems in 15 ft. and 35 ft. lengths. Each line set is equipped with flare nuts on both ends. Both liquid and suction lines are insulated. Line sets can be joined together with field supplied double male connectors. Each system requires one line set for each indoor unit installed.

### REFRIGERATION LINE SETS MIN./MAX. LENGTHS

Floating Air® Pro Outdoor		
SYSTEM MODEL	Min. (ft.)	Max. Each/Total (ft.)
Floating Air® Pro Multi Zone Outdoor		
FPHMR18A3A	25	82/164
FPHMR24A3A	25	66/197
FPHMR36A3A	25	66/246
FPHMR42A3A	25	66/246

### TORQUE WRENCH SETTINGS

Outside Diameter		Torque	
mm	inch	ft-lbs.	N·m
6.35	1/4	13 - 18	17.6 - 24.5
9.52	3/8	25 - 30	33.3 - 41.2
12.7	1/2	40 - 47	53.9 - 64.7
15.88	5/8	45 - 59	61.7 - 80.4

## WALL CONTROLLER



FPWC1 Optional wired wall controller