

Installation Instructions

CONDUIT KIT with JUNCTION BOX

For Use with Packaged Terminal Units

Please read these instructions completely before attempting installation.

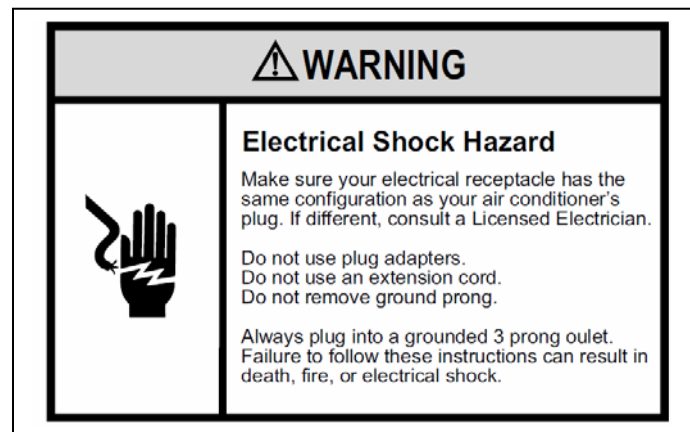
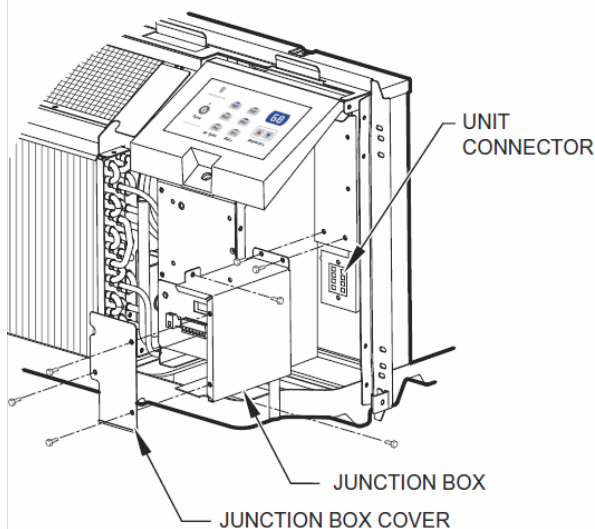
NOTE: ALL ELECTRICAL WORK MUST CONFORM WITH LOCAL CODES AND ORDINANCES. THE NATIONAL ELECTRICAL CODES, ANSI/NFPA NO. 70-1993 OR CURRENT EDITION, AND IN CANADA, THE CANADIAN ELECTRICAL CODE PART I, CSA STANDARD C22.1-1993 OR CURRENT EDITION.

PDE or PDH MODELS

To install the line voltage power leads and conduit to chassis, follow the instructions below and refer to Figures on following pages. PXCJA Conduit Kit is required with this setup.

Fig 1

Junction Box Location



1. Remove chassis's front panel to expose the unit's junction box (Fig 1). Remove all 6 screws to junction box assembly.

2. Prepare the 265V (or 230V) power cord for connection to the chassis's power cord connector by cutting the plug head to the appropriate length (refer to Fig 2).
3. Route the cut end of power cord through the locknut, spacers, conduit connector, bushing, and flex conduit sleeve on the chassis's junction box (refer to Fig 3).
4. The lead cut end should pass all the way through the opposite end of flex conduit sleeve into the second bushing then between the elbow connector housing. For wire protection, both bushing should be inserted into the ends of the flex conduit sleeve. Tighten the screws on elbow connector housing to secure the conduit sleeve (refer to Fig 4).
5. Fasten and secure the elbow connector housing to the wall junction box cover with locknut. Place and mount wall junction box with all 4 mounting screws making sure to pass the wall electrical lines through the back opening of the junction box (refer to Fig 5).

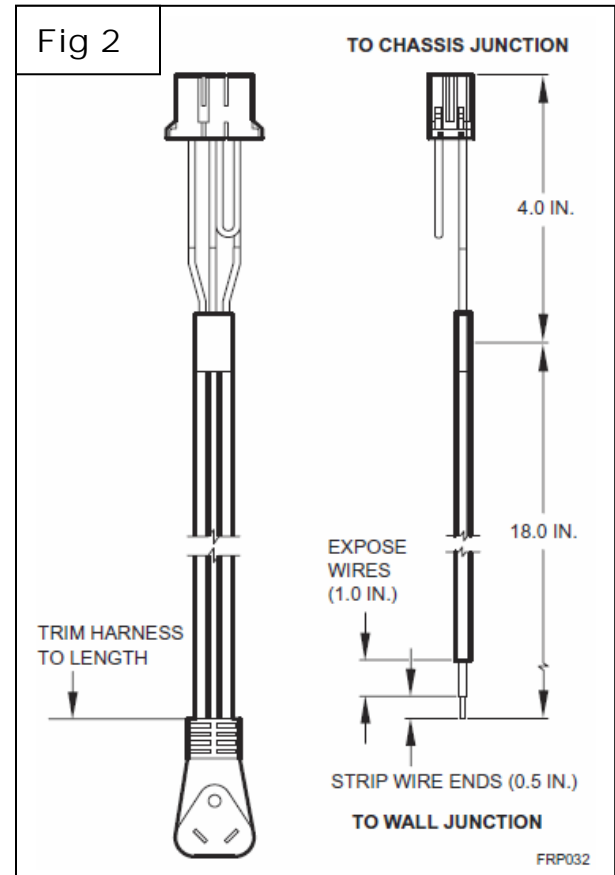
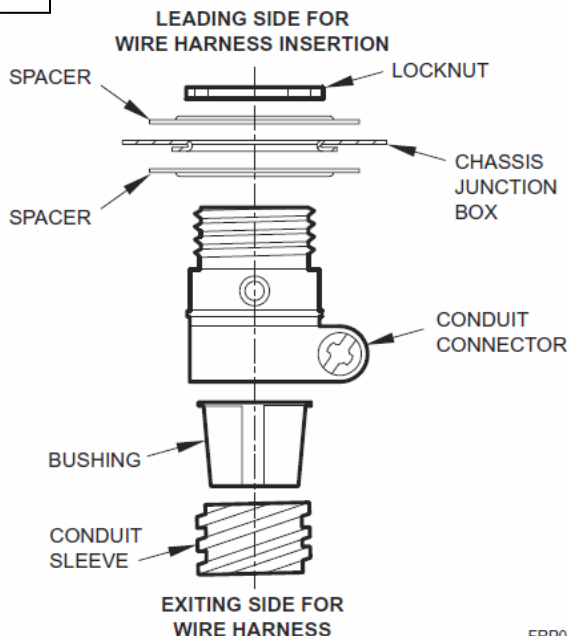
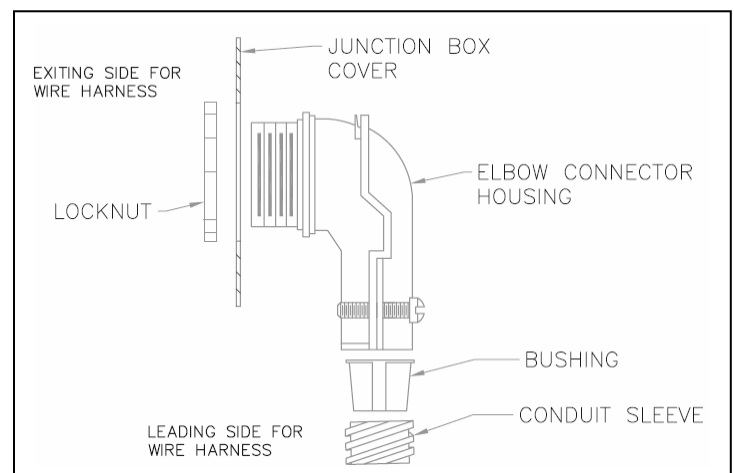


Fig 3



FRP034

Fig 4



6. Connect and join stripped wall electrical wires with harness wires using wire nuts. Twist the incoming ground wire and the green ground wire together (use copper conductors only) and attach to the junction box with the provided ground screw.

NOTE: The junction box mounting must comply with all local electrical codes having jurisdiction. Sites for mounting include, but are not limited to: under the wall sleeve, mounted to the right side of the wall sleeve, and built flush into the wall. Wires brought into the junction box should not exceed four inches in length.

7. Fold the wires neatly inside the junction box and install the junction box cover. Tighten both cover screws of the wall junction box to secure.
8. Connect the accessory power cord or hard wire connector to unit chassis's connector (refer to Fig 6).
9. Clamp the power cord harness and conduit connector asy with chassis's junction box cutout slot as shown of Fig 3. The clamping device is applied by screwing down the locknut and spacers application.
10. Reinstall the unit chassis's junction box and cover using all 6 screws as shown on Step 1 Fig 1. Use wire clamp to secure power cord to unit basepan (refer to Fig 7).
11. Replace front panel and restore power to the unit.

