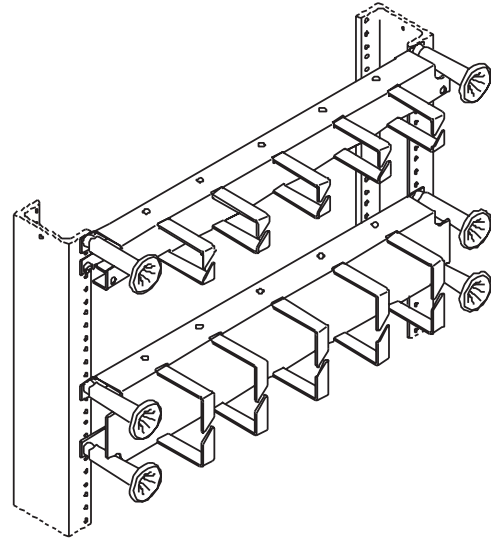


Product Information Sheet

19" HORIZONTAL WIRE MANAGEMENT PANEL

The CPI Horizontal Wire Management Panel is offset 1.5" from the rack channel to ensure proper bending radii of patch cables - even hooded patch cables. This unique raised back plane design doubles as a horizontal pass-through trough.

- Unique offset design provides patch cable pathway from front-to-back or side-to-side
- Available in single (1.75") or double (3.5") rack mounting units (RMU) design
- Tangles eliminated by the defined horizontal and vertical pathways
- Mounts quickly and easily using threaded cable distribution spools
- Cable distribution spools maintain bend radius through the pass-through trough and across the front plane of the horizontal manager



Part Number	Description	Shipping Weight
13070-X19	1 RMU	2 lb
13075-X19	2 RMU	2 lb

* Note: X=color: 1=Gray, 2=White, 5=Clear, 7=Black

800-834-4969 in US & Canada • www.chatsworth.com



CHATSWORTH PRODUCTS, INC.

©2002 Chatsworth Products, Inc. 5/02/GT